

5

4

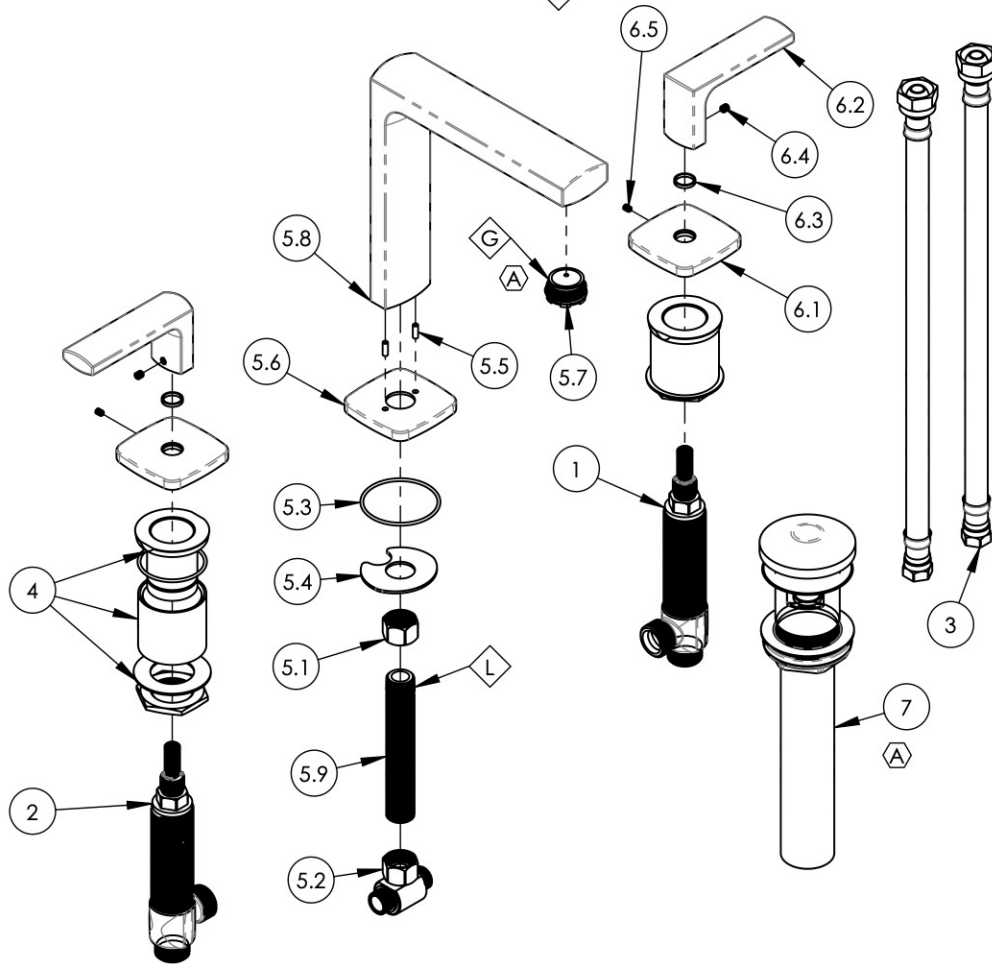
3

2

1

NOTE(S):

- 1. APPLY NSF COMPLIANT GREASE TO ANY O-RING, SEALING JOINTS, AND/OR PIVOTAL POINTS. G
- 2. APPLY NSF COMPLIANT LOCTITE TO THREADED AREA. L



ITEM NO.	PART NUMBER	DESCRIPTION	QTY.
1	1-149	WIDESPREAD VALVE LAV 16PT, HOT, ONLY	1
2	1-150	WIDESPREAD VALVE LAV 16PT, COLD, ONLY	1
3	10982	HOSE, 3/8" COMP. X 1/2" NPSM - 12'L	2
4	2-092	RECESSED MOUNTING KIT FOR WIDESPREAD	2
5	3-518/00	ASSY, WIDESPREAD LAV HIGH SPOUT, RADII	1
5.1	10746	NUT, 3/8"-18 NPSL	1
5.2	1-112	TEE VALVE, 3/8" NPSM X 3/8" COMPRESSION	1
5.3	90031	O-RING, 1-3/4"ID X 1/16"THK, AS-568-031	1
5.4	92174	WASHER MOUNT WIDESPREAD (3/8")	1
5.5	92158	DOWEL PIN, 1/8" X 3/8"L	2
5.6	11618/00	ESCUTCHEON, LAV SPOUT, RADII	1
5.7	11427	AERATOR, CACHE REG, PINK 1.2 GPM, M24X1.0, NEOPERL # 40.2360.010	1
5.8	11621/00	SPOUT, WIDESPREAD LAV HIGH, RADII	1
5.9	10745	THREAD ALL, 3/8"-18 NPSL - 3/8"NPT	1
6	3-520/00	ASSY, LEVER HANDLE, RADII	2
6.1	11620/00	ESCUTCHEON, HANDLE RADII	1
6.2	11622/00	HANDLE, LEVER, RADII	1
6.3	92176	WEAR WASHER	1
6.4	92008	SET SCREW, CUP POINT 8-32, 3/16" L.	1
6.5	92005	SET SCREW, CUP PT 6-32 UNC THREAD 3/16" L.	1
7	3-545/00	BRASS PUSH TYPE DRAIN, W/ OVERFLOW & SMALL PLUG	1

ALL	REV.	DESCRIPTION	DATE	APPROVED
A		UPDATE TEMPLATE, AERATOR, DRAIN, ADD CALL OUTS	6/8/2020	AMM
REVISIONS				

1261 LOGAN AVENUE
 COSTA MESA, CALIFORNIA 92626
 PHONE: 714.361.4800
 FAX: 714.617.3120

PHYLIRICH[®]
 Defining Luxury Since 1959

PROPRIETARY AND CONFIDENTIAL
 THE INFORMATION CONTAINED IN THIS DRAWING IS THE SOLE PROPERTY OF PHYLIRICH. ANY REPRODUCTION IN PART OR AS A WHOLE WITHOUT THE WRITTEN PERMISSION OF PHYLIRICH IS PROHIBITED.

NEXT ASSY		USED ON		INTERPRET GEOMETRIC DIMENSIONING & TOLERANCING IN ACCORDANCE WITH ASME Y14.5-2009 & ASME Y14.41-2003 STANDARDS, UNLESS OTHERWISE SPECIFIED. DIMENSIONS ARE IN INCHES. TOLERANCES ARE: FRACTIONS ±1/16" DECIMALS X.X: ±.1 X.XX: ±.01 X.XXX: ±.005 ANGULAR ±2°
APPLICATION				
MATERIAL	NAME		DATE	
FINISH	DRAWN	RAH	1/9/2018	
DO NOT SCALE DRAWING				
CHECKED				

WIDESPREAD, LEVER HANDLE, HIGH SPOUT, RADII

SIZE **A** ASM/PRT NO. **181-02/00** REV **A**

SCALE: 1:4.25 WEIGHT: lbs. SHEET 1 OF 2

5

4

3

2

1