

5

4

3

2

1

E

E

D

D

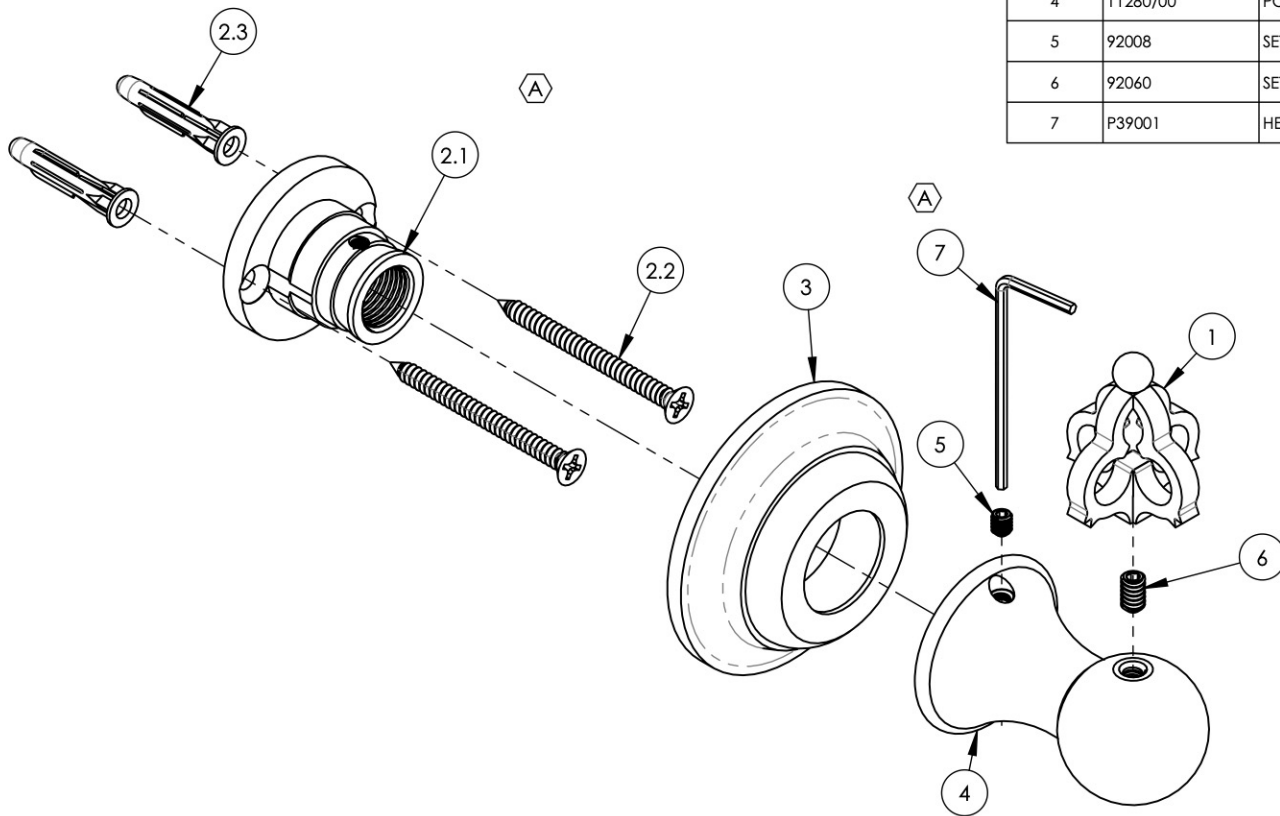
C

C

B

B

ITEM NO.	PART NUMBER	DESCRIPTION	QTY.
1	2-039/00	ASSY, POP-UP COURONNE SERIES	1
2	2-103	MOUNTING KIT WITH ADJUSTABLE THREADED PIN	1
2.1	11050	MOUNTING KIT, WALL FLANGE	1
2.2	92234	SCREW FOR WOOD, PHIL, NO. 8 X 1-1/2"L	2
2.3	92235	ANCHOR FOR DRYWALL, TWIST-ACTION NO. 6-8 SIZE	2
3	11277/00	ESCUTCHEON, ACCESSORIES, MAISON	1
4	11280/00	POST, GARMENT HOOK, MAISON SERIES	1
5	92008	SET SCREW, CUP POINT 8-32, 3/16" L.	1
6	92060	SET SCREW, 10-24 5/16"L	1
7	P39001	HEX KEY 5/64, FOR 8-32 SET SCREW	1



C3, D4	A	UPDATE TEMPLATE, MOUNTING HARDWARE, ADD HEX KEY	7/30/2020	AMM
ZONE	REV.	DESCRIPTION	DATE	APPROVED
REVISIONS				

1261 LOGAN AVENUE
COSTA MESA, CALIFORNIA 92626
PHONE: 714.361.4800
FAX: 714.617.3120

PHYLIRICH®
Defining Luxury Since 1959

PROPRIETARY AND CONFIDENTIAL
THE INFORMATION CONTAINED IN THIS DRAWING IS THE SOLE PROPERTY OF PHYLIRICH. ANY REPRODUCTION IN PART OR AS A WHOLE WITHOUT THE WRITTEN PERMISSION OF PHYLIRICH IS PROHIBITED.

-	-	INTERPRET GEOMETRIC DIMENSIONING & TOLERANCING IN ACCORDANCE WITH ASME Y14.5-2009 & ASME Y14.41-2003 STANDARDS, UNLESS OTHERWISE SPECIFIED. DIMENSIONS ARE IN INCHES. TOLERANCES ARE:		
NEXT ASSY	USED ON	FRACTIONS ±1/16"	DECIMALS X.X: ±.1 X.XX: ±.01 X.XXX: ±.005	ANGULAR ±2°
APPLICATION		MATERIAL	NAME	DATE
FINISH		DRAWN	LLO	10/22/2015
DO NOT SCALE DRAWING		CHECKED	GRE	

ROBE HOOK, COURONNE

SIZE	ASM/PRT NO.	REV
A	163-76/00	A
SCALE: 1:1.5	WEIGHT: lbs.	SHEET 1 OF 2

5

4

3

2

1

A

A