

NOTE(S):
 1. PART NUMBER, "/00" DENOTES PART SHALL HAVE FINISH.

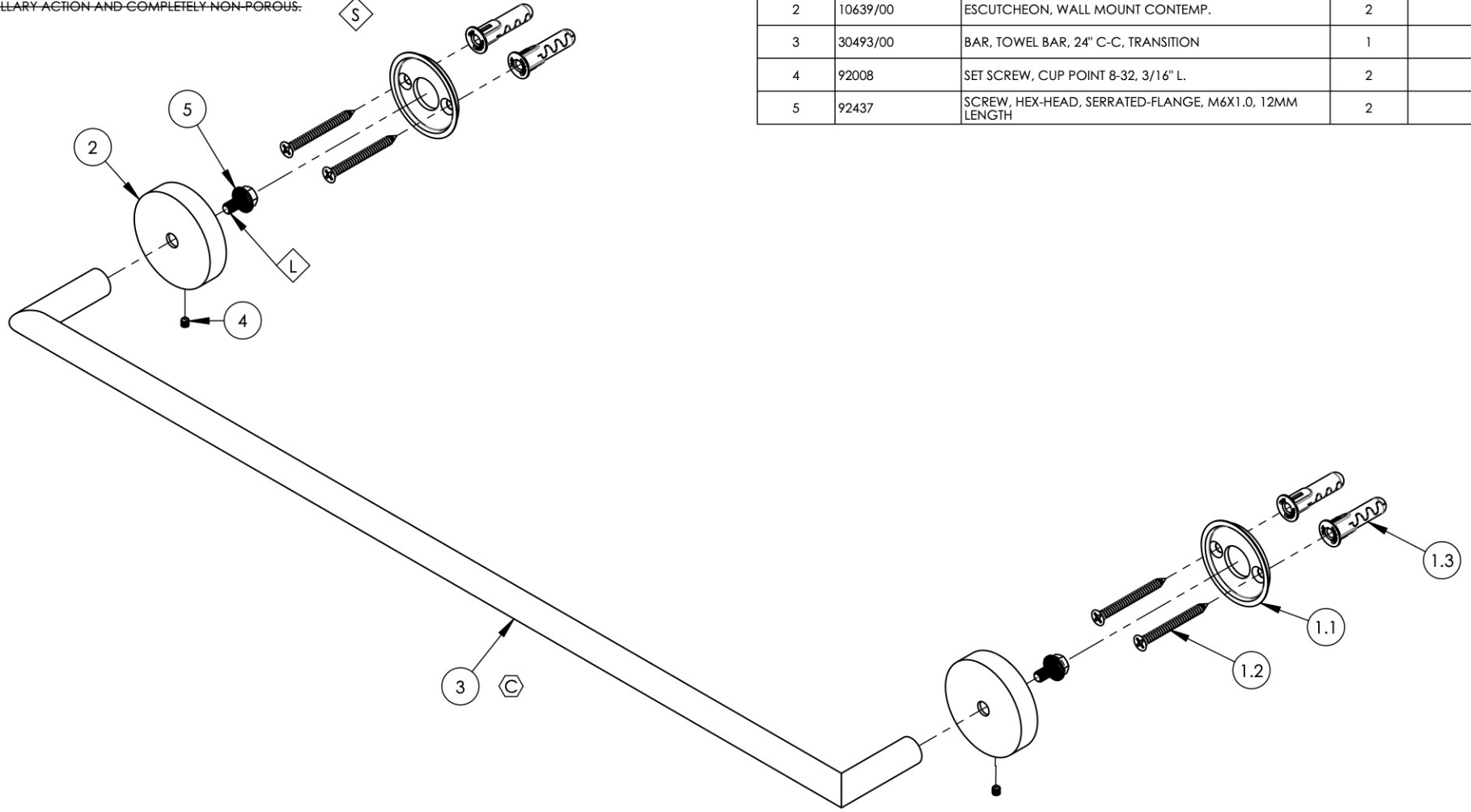
2. APPLY NSF COMPLIANT GREASE TO ANY O-RING, SEALING JOINTS, AND/OR PIVOTAL POINTS. G

3. APPLY NSF COMPLIANT LOCTITE TO THREADED AREA. L

4. APPLY NSF COMPLIANT REMOVABLE (BLUE) LOCTITE TO THREADED AREA. B

5. SILVER SOLDER JOINTS SHALL BE FULLY WETTED VIA-CAPILLARY ACTION AND COMPLETELY NON-POROUS. S

ITEM NO.	PART NUMBER	DESCRIPTION	QTY.
1	2-098	MOUNTING KIT FOR MIX/EDGE SERIES	2
1.1	30042	WALL MOUNTING PLATE	1
1.2	92043	SCREW, FLAT HD #10 SIZE W/ #2 PHIL DRIVE, 2"L	2
1.3	92046	ANCHOR SCREW 3/8" HOLE, TOGGLER AF10	2
2	10639/00	ESCUTCHEON, WALL MOUNT CONTEMP.	2
3	30493/00	BAR, TOWEL BAR, 24" C-C, TRANSITION	1
4	92008	SET SCREW, CUP POINT 8-32, 3/16" L.	2
5	92437	SCREW, HEX-HEAD, SERRATED-FLANGE, M6X1.0, 12MM LENGTH	2



ZONE	REV.	DESCRIPTION	DATE	APPROVED
B4	C	UPDATE BAR C-C & THICKNESS	5/26/2022	AMM
REVISIONS				

1261 LOGAN AVENUE
 COSTA MESA, CALIFORNIA 92626
 PHONE: 714.361.4800
 FAX: 714.617.3120

PHYL RICH[®]
 Defining Luxury Since 1959

PROPRIETARY AND CONFIDENTIAL
 THE INFORMATION CONTAINED IN THIS DRAWING IS THE SOLE PROPERTY OF PHYL RICH. ANY REPRODUCTION IN PART OR AS A WHOLE WITHOUT THE WRITTEN PERMISSION OF PHYL RICH IS PROHIBITED.
DO NOT SCALE DRAWING

TOWEL BAR, MEDIUM, TRANSITION

SIZE A	ASM/PRT NO. 120-71/00	REV C
SCALE: 1:3.25	WEIGHT: lbs.	SHEET 1 OF 2