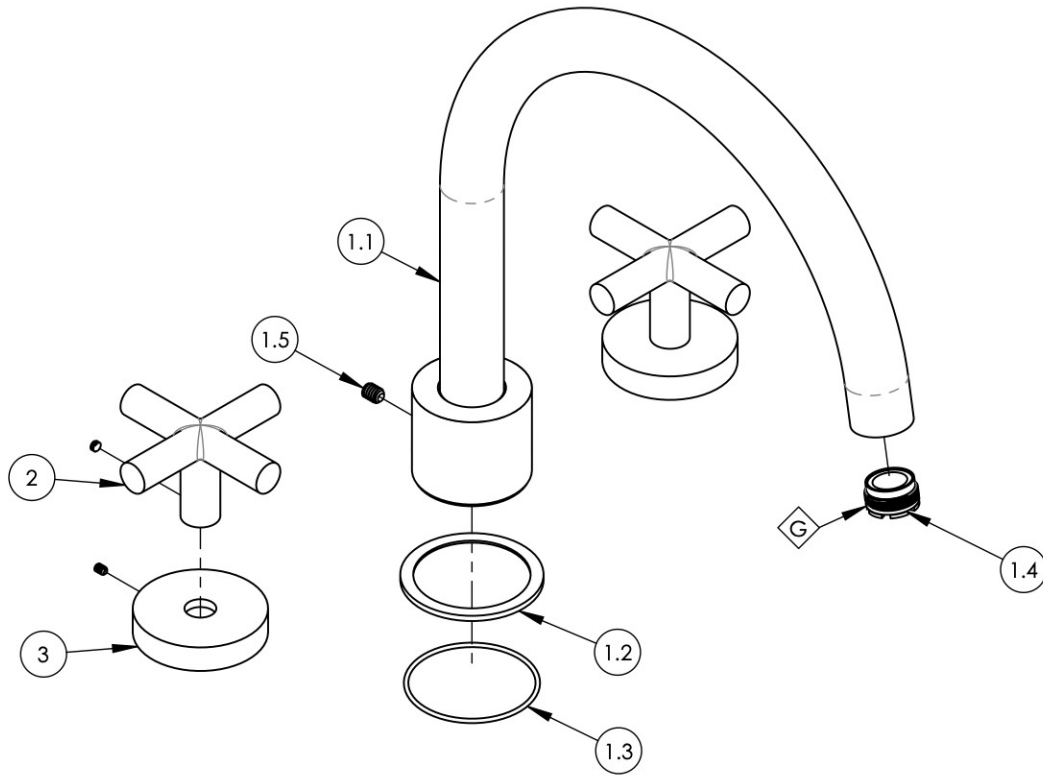


- NOTE(S):  
 1. PART NUMBER, "/00" DENOTES PART SHALL HAVE FINISH.  
 2. APPLY NSF COMPLIANT GREASE TO ANY O-RING, SEALING JOINTS, AND/OR PIVOTAL POINTS.  
 3. APPLY NSF COMPLIANT LOCTITE TO THREADED AREA.  
 4. APPLY NSF COMPLIANT REMOVABLE (BLUE) LOCTITE TO THREADED AREA.  
 5. SILVER SOLDER JOINTS SHALL BE FULLY WETTED VIA CAPILLARY ACTION AND COMPLETELY NON-POROUS.



ITEM NO.	PART NUMBER	DESCRIPTION	QTY.
1	3-394/00	ASSY, HIGH ARC TUB SPOUT, DECK TUB BASIC II	1
1.1	2-128/00	SUB ASSY, HIGH ARC TUB SPOUT, DECK TUB BASIC II	1
1.2	11186/00	BASE FLANGE, BASIC II	1
1.3	90033	O-RING, 2"ID X 2-1/8"OD X 1/16"THK, AS-568-033	1
1.4	P05024	AERATOR CACHE COIN SLOT, M21.5X1.0 FULL FLOW	1
1.5	92127	SET SCREW, CUP PT, 1/4"-20 X 5/16"L, SS	1
2	3-580/00	HANDLE CROSS W/ SET SCREW, TRANSITION	2
3	3-590/00	ESCUTCHEON W/ SET SCREW, TRANSITION	2



ZONE	REV.	DESCRIPTION	DATE	APPROVED
REVISIONS				

1261 LOGAN AVENUE  
 COSTA MESA, CALIFORNIA 92626  
 PHONE: 714.361.4800  
 FAX: 714.617.3120

**PHYLIRICH**<sup>®</sup>  
 Defining Luxury Since 1959

**PROPRIETARY AND CONFIDENTIAL**  
 THE INFORMATION CONTAINED IN THIS DRAWING IS THE SOLE PROPERTY OF PHYLIRICH. ANY REPRODUCTION IN PART OR AS A WHOLE WITHOUT THE WRITTEN PERMISSION OF PHYLIRICH IS PROHIBITED.  
**DO NOT SCALE DRAWING**

**DECK TUB SET, CROSS HANDLES, TRANSITION**

SIZE <b>A</b>	ASM/PRT NO. 120-40/00	REV
SCALE: 1:3	WEIGHT: lbs.	SHEET 1 OF 2