

NOTE(S):
 1. PART NUMBER, "/00" DENOTES PART SHALL HAVE FINISH.

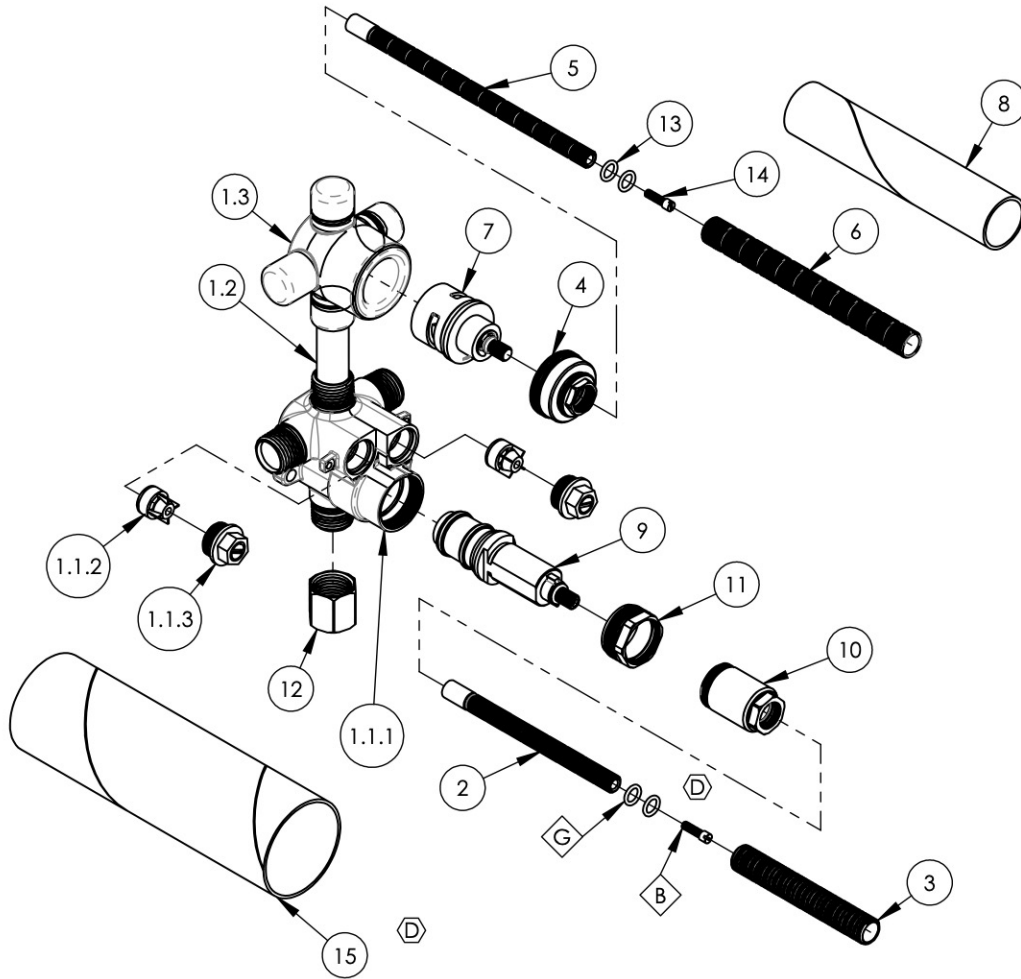
2. APPLY NSF COMPLIANT GREASE TO ANY O-RING, SEALING JOINTS, AND/OR PIVOTAL POINTS.

3. APPLY NSF COMPLIANT LOCTITE TO THREADED AREA.

4. APPLY NSF COMPLIANT REMOVABLE (BLUE) LOCTITE TO THREADED AREA.

5. SILVER SOLDER JOINTS SHALL BE FULLY WETTED VIA CAPILLARY ACTION AND COMPLETELY NON-POROUS.

G
L
B
S



1.1.3.5	92237	RETAINING RING, 1/4" OD	1
1	2-274	BODY BRAZE, 1/2" THERM W/ 2WAY DIV. RIGHT, 5" C2C	1
1.1	1-113	MINI THERMOSTATIC BODY W/SHUTOFFS	1
1.1.1	10624	BODY, MINI THERMOSTATIC	1
1.1.2	11197	CHECK VALVE INSERT, SPRING LOADED, NV15-15MM OD	2
1.1.3	2-130	SHUTOFF NUT, MINI THERMO	2
1.2	11538	COPPER TUBE, FOR 5" CENTER-CENTER, 2-3/8"L	1
1.3	11579	VALVE BODY, DIVERTER TWO WAY RIGHT PORT, FROM FORGED	1
2	10054	STEM EXTENSION, 6" LONG 20PT INT. TO 16PT LONG EXT. BROACH	1
3	10209	SHANK, NIPPLE THREAD ALL 9/16"-20UN WITH .433"ID	1
4	10349	NUT CAP FOR 3WAY DIVERTER	1
5	11416	STEM EXTENSION, 20PT TO 16PT, XXL	1
6	11498	ALL THREAD, EXTENSION, 9/16"-20, 5-9/16"L, XXL	1
7	11567	CARTRIDGE, DIVERTER, 2WAY, NON-SHARE W/ OFF	1
8	11648	MUD GUARD, CARDBOARD, LONG	1
9	11973	CARTRIDGE MINI-THERM. VALVE, INTEGRATED LIMIT STOP, THERMOSTAR S18 TYP 2	1
10	12073	COVER SLEEVE ADAPTOR, MINI THERM, FOR INTEGRATED LIMIT STOP	1
11	12076	RETAINER NUT, NEW CRTRIDGE W/ INTEGRATED STOP	1
12	30238	HEX CAP, 1/2" NPT	1
13	90011	O-RING, 5/16"ID X 1/16"THK, AS-568-011	4
14	92157	SCREW, SMALL HD M4X0.7 - 1/2"L	2
15	12272	MUD GUARD, CARDBOARD, MINI THERM, 2-1/8" OD X 7" LENGTH	1

ZONE	REV.	DESCRIPTION	DATE	APPROVED
B4	D	ADD NEW MUD GUARD	1/23/2023	LFV
REVISIONS				

1261 LOGAN AVENUE
 COSTA MESA, CALIFORNIA 92626
 PHONE: 714.361.4800
 FAX: 714.617.3120

PHYLIRICH
 D.L. King Lumber & Iron Works

PROPRIETARY AND CONFIDENTIAL
 THE INFORMATION CONTAINED IN THIS DRAWING IS THE SOLE PROPERTY OF PHYLIRICH. ANY REPRODUCTION IN PART OR AS A WHOLE WITHOUT THE WRITTEN PERMISSION OF PHYLIRICH IS PROHIBITED.
DO NOT SCALE DRAWING

1/2" MINI-THERMOSTATIC W/ 2-WAY DIVERTER RIGHT, CAL-GREEN

SIZE A	ASM/PRT NO. 1-132	REV D
SCALE: 1:3.75	WEIGHT: lbs.	SHEET 1 OF 2