

5

4

3

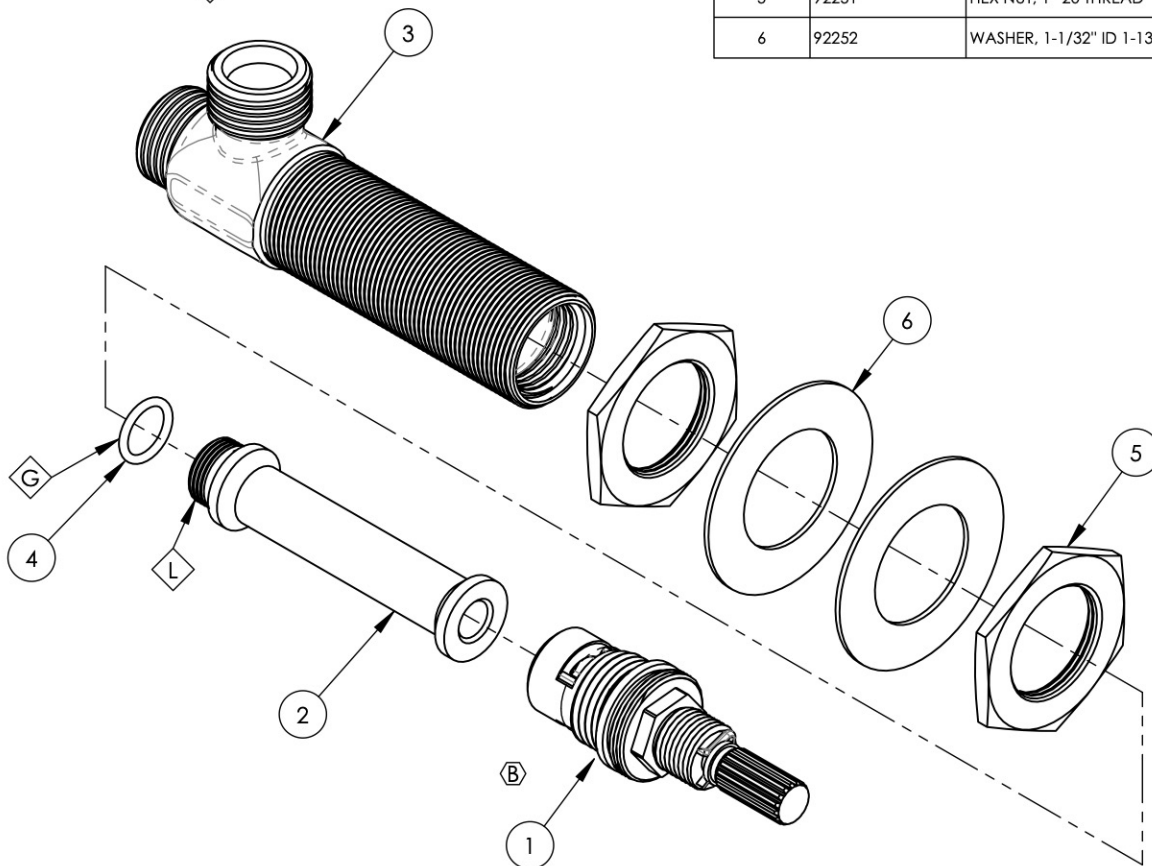
2

1

- NOTE(S):
1. PART NUMBER, "/00" DENOTES PART SHALL HAVE FINISH.
  2. APPLY NSF COMPLIANT GREASE TO ANY O-RING, SEALING JOINTS, AND/OR PIVOTAL POINTS.
  3. APPLY NSF COMPLIANT LOCTITE TO THREADED AREA.
  4. APPLY NSF COMPLIANT REMOVABLE (BLUE) LOCTITE TO THREADED AREA.
  5. SILVER SOLDER JOINTS SHALL BE FULLY WETTED VIA CAPILLARY ACTION AND COMPLETELY NON-POROUS.



ITEM NO.	PART NUMBER	DESCRIPTION	QTY.
1	10242	CARTRIDGE, VALVE 1/2"G W/ 9/16"-20 16PT. HOT	1
2	10248	INTERNAL SEAT FOR WIDESPREAD	1
3	10716	VALVE BODY, WIDESPREAD LAV	1
4	90013	O-RING, 7/16"ID X 1/16"THK, AS-568-013	1
5	92251	HEX NUT, 1"-20 THREAD	2
6	92252	WASHER, 1-1/32" ID 1-13/16" OD	2



B3	B	UPDATE CARTRIDGE	7/1/2021	AMM
ZONE	REV.	DESCRIPTION	DATE	APPROVED
REVISIONS				

1261 LOGAN AVENUE  
COSTA MESA, CALIFORNIA 92626  
PHONE: 714.361.4800  
FAX: 714.617.3120



MANUFACTURING

**PROPRIETARY AND CONFIDENTIAL**

THE INFORMATION CONTAINED IN THIS DRAWING IS THE SOLE PROPERTY OF RSS MANUFACTURING. ANY REPRODUCTION IN PART OR AS A WHOLE WITHOUT THE WRITTEN PERMISSION OF RSS MANUFACTURING IS PROHIBITED.

-	-	INTERPRET GEOMETRIC DIMENSIONING & TOLERANCING IN ACCORDANCE WITH ASME Y14.5-2009 & ASME Y14.41-2003 STANDARDS, UNLESS OTHERWISE SPECIFIED. DIMENSIONS ARE IN INCHES. TOLERANCES ARE:		
1-600	-	<b>FRACTIONS</b> ±1/64"	<b>DECIMALS</b> X.X: ±.1 X.XX: ±.01 X.XXX: ±.005	<b>ANGULAR</b> ±.5°
NEXT ASSY		USED ON		
APPLICATION				
MATERIAL				
FINISH				
DRAWN		NAME	DATE	
CHECKED		MAF	2/9/2012	
<b>DO NOT SCALE DRAWING</b>				

**WIDESPREAD VALVE LAV 16PT, HOT W/ MOUNTING**

SIZE	ASM/PRT NO.	REV
<b>A</b>	1-110	<b>B</b>

SCALE: 1:1.5      WEIGHT: lbs.      SHEET 1 OF 1

5

4

3

2

1