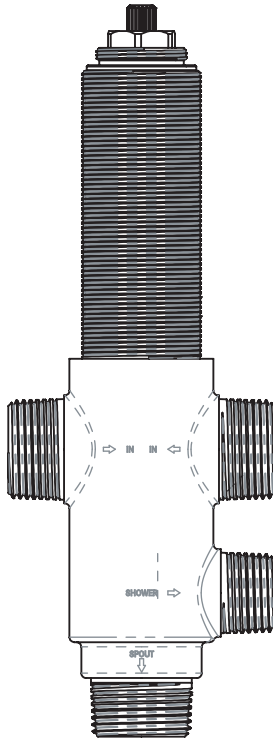


---

# PHYLTRICH®

Defining Luxury Since 1959



---

## INSTALLATION INSTRUCTIONS FOR 1-081 Deck Diverter Valve

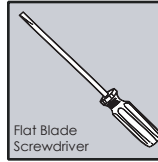
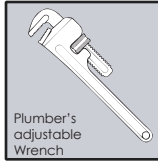
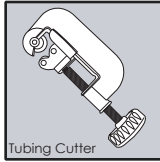
# INSTALLATION INSTRUCTIONS FOR

# PHYLIRICH®

Defining Luxury Since 1959

## 1-081 Deck Diverter Valve

**RECOMMENDED TOOLS & MATERIALS** Most of the procedures require the use of common tools & materials, which are available from hardware & plumbing supply stores. It is essential that the tools and materials be on hand before work.



**WE RECOMMEND THAT ALL PLUMBING PRODUCTS BE INSTALLED BY LICENSED PROFESSIONAL**

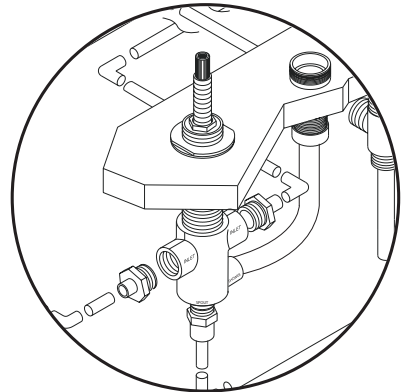
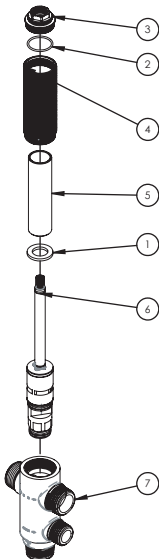
## GENERAL CHARACTERISTICS

For use with shower heads rated at 1.3 gpm - 4.9 L/min or higher

- Female 1/2" NPT inlets and outlets
- Factory temperature setting = 100°F (38°C)
- Temperature range = 52° to 118°F (11°-48°C)
- Temperature hot supply = 149° to 180°F (65°-82°C)
- Temperature cold supply = 50° to 72°F (10°-22°C)
- Temperature stability = ±32°F (0°C)

**NOTE: Supply lines not included**

## PARTS BREAKDOWN



ITEM NO.	PART NUMBER	DESCRIPTION	QTY.
1	90586	DECK DIVERTER, GASKET SEAL	1
2	90587	O RING, METRIC 21.5 X 1.5	1
3	11716	NUT, TOP OF DECK DIVERTER	1
4	11717	DECK DIVERTER, OUTER SLEEVE	1
5	11718	DECK DIVERTER, INNER SLEEVE	1
6	11719	DECK DIVERTER, DIVERTER CARTRIDGE	1
7	11720	DECK DIVERTER, FORGING BODY	1