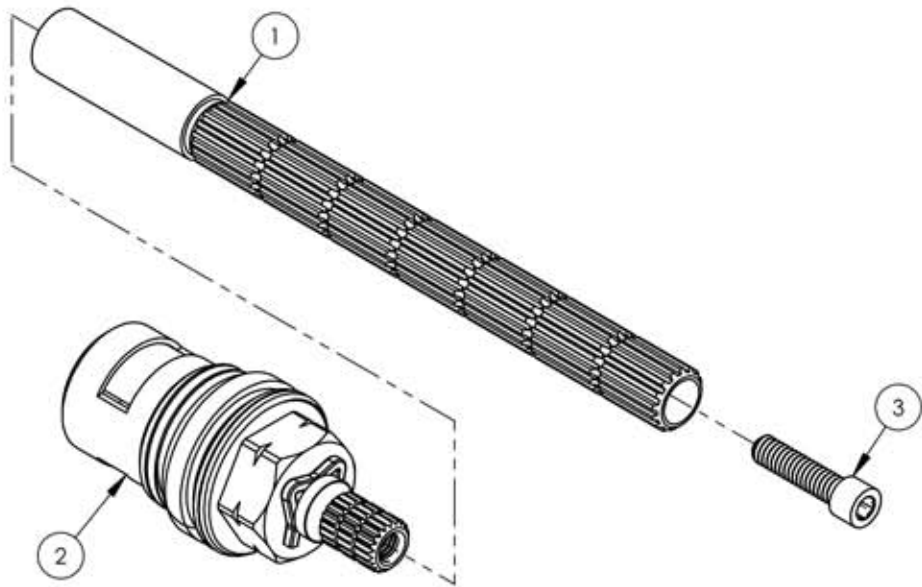


| ITEM NO. | PART NUMBER | DESCRIPTION  | QTY. |
|----------|-------------|--|------|
| 1        | 10054       | STEM EXTENSION, 20PT INTERNAL TO 16PT LONG EXTERNAL BROACH | 1    |
| 2        | 10257       | CARTRIDGE, VALVE 1/2"G W/ M24X1.0 & M4 20PT COLD LEAD FREE | 1    |
| 3        | 92015       | SCREW, SOCKET HEAD CAP, M4 THRD, 16MM LENGTH               | 1    |



A

B

C

D

E

**PROPRIETARY AND CONFIDENTIAL**

THE INFORMATION CONTAINED IN THIS DRAWING IS THE SOLE PROPERTY OF RSS MANUFACTURING. ANY REPRODUCTION IN PART OR AS A WHOLE WITHOUT THE WRITTEN PERMISSION OF RSS MANUFACTURING, IS PROHIBITED.

DO NOT SCALE DRAWING

**PHYLIRICH<sup>®</sup>**

Defining Luxury Since 1959

UNLESS OTHERWISE SPECIFIED:

DIMENSIONS ARE IN INCHES  
TOLERANCES:  
ANGULAR: ±.5 Deg  
X.XX: ±.010  
X.XXX ±.005

MATERIAL

---

FINISH

---

NAME

MF

DATE

9/7/2010

DRAWN

CHECKED

COMMENTS:

LH

SUB-ASSY, CARTRIDGE 1/2" WITH STEM  
EXTENSION 16PT COLD

SIZE  
**A**

ASM/PRT NO.

**1-040**

REV

-

SCALE: 1:1

WEIGHT: 0.266

SHEET 1 OF 1

5

4

3

2

1