

NOTE(S):
1. PART NUMBER, "/00" DENOTES PART SHALL HAVE FINISH.

2. APPLY NSF COMPLIANT GREASE TO ANY O-RING, SEALING JOINTS, AND/OR PIVOTAL POINTS.

3. APPLY NSF COMPLIANT LOCTITE TO THREADED AREA.

4. APPLY NSF COMPLIANT REMOVABLE (BLUE) LOCTITE TO THREADED AREA.

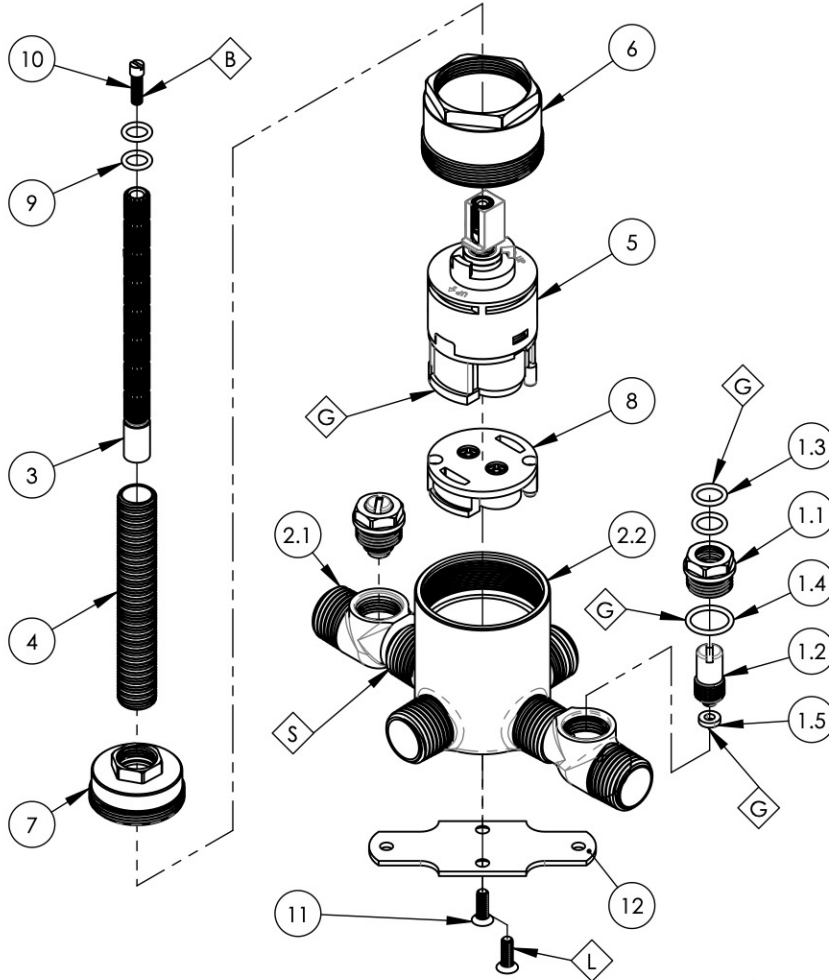
5. SILVER SOLDER JOINTS SHALL BE FULLY WETTED VIA CAPILLARY ACTION AND COMPLETELY NON-POROUS.

G

L

B

S



ITEM NO.	PART NUMBER	DESCRIPTION	QTY.
1	2-335	ASSY, SHUT OFF NUT, O-RINGS, SCREW SEAL	2
1.1	11893	NUT, SHUTOFF, PRESSURE BALANCE ECONO	1
1.2	11894	SCREW SEAL, SHUTOFF PRESSURE BALANCE	1
1.3	90012	O-RING, 3/8"ID X 1/2"OD X 1/16"THK, AS-568-012	2
1.4	90015	O-RING, 9/16"ID X 11/16"OD X 1/16"THK, AS-568-015	1
1.5	90594	SEALING WASHER, EPDM (90130A009)	1
2	2-336	MAIN BODY WITH SHUTOFF STOPS, PRESSURE BALANCE	1
2.1	11895	VALVE STOP, MACHINED FORGING	2
2.2	11890	VALVE BODY, PRESSURE BALANCE, 1/2"	1
3	10054	STEM EXTENSION, 6" LONG 20PT INT. TO 16PT LONG EXT. BROACH	1
4	10209	SHANK, NIPPLE THREAD ALL 9/16"-20UN WITH .433"ID	1
5	11800	CARTRIDGE, PRESSURE BALANCE W/ INT. DIVERTER, JL02BD-001	1
6	11891	NUT, PRESSURE BALANCE VALVE	1
7	11892	NUT FOR ALL THREAD, PRESSURE BALANCE VALVE	1
8	12077	CHECK VALVE BASE, HJ11LA02	1
9	90011	O-RING, 5/16"ID X 1/16"THK, AS-568-011	2
10	92157	SCREW, SMALL HD M4X0.7 - 1/2"L	1
11	92160	SCREW, FLAT HD. 8-32 X 1/2"L	2
12	92441	MOUNTING BRACKET, STAINLESS STEEL, PB VALVE	1

ZONE	REV.	DESCRIPTION	DATE	APPROVED
REVISIONS				

1261 LOGAN AVENUE
COSTA MESA, CALIFORNIA 92626
PHONE: 714.361.4800
FAX: 714.617.3120

PHYLIRICH[®]
Defining Luxury Since 1959

PROPRIETARY AND CONFIDENTIAL
THE INFORMATION CONTAINED IN THIS DRAWING IS THE SOLE PROPERTY OF PHYLIRICH. ANY REPRODUCTION IN PART OR AS A WHOLE WITHOUT THE WRITTEN PERMISSION OF PHYLIRICH IS PROHIBITED.

-	-	INTERPRET GEOMETRIC DIMENSIONING & TOLERANCING IN ACCORDANCE WITH ASME Y14.5-2009 & ASME Y14.41-2003 STANDARDS, UNLESS OTHERWISE SPECIFIED. DIMENSIONS ARE IN INCHES. TOLERANCES ARE:		
NEXT ASSY	USED ON	FRACTIONS ±1/16"	DECIMALS X.X: ±.1 X.XX: ±.01 X.XXX: ±.005	ANGULAR ±2°
APPLICATION		MATERIAL	NAME	DATE
FINISH		DRAWN	RAH	8/8/2019
DO NOT SCALE DRAWING		CHECKED		

VALVE, PRESSURE BALANCE, 1/2", WITH SERVICE STOPS

SIZE **A** ASM/PRT NO. **1-031** REV **-**

SCALE: 1:2.75 WEIGHT: lbs. SHEET 1 OF 2