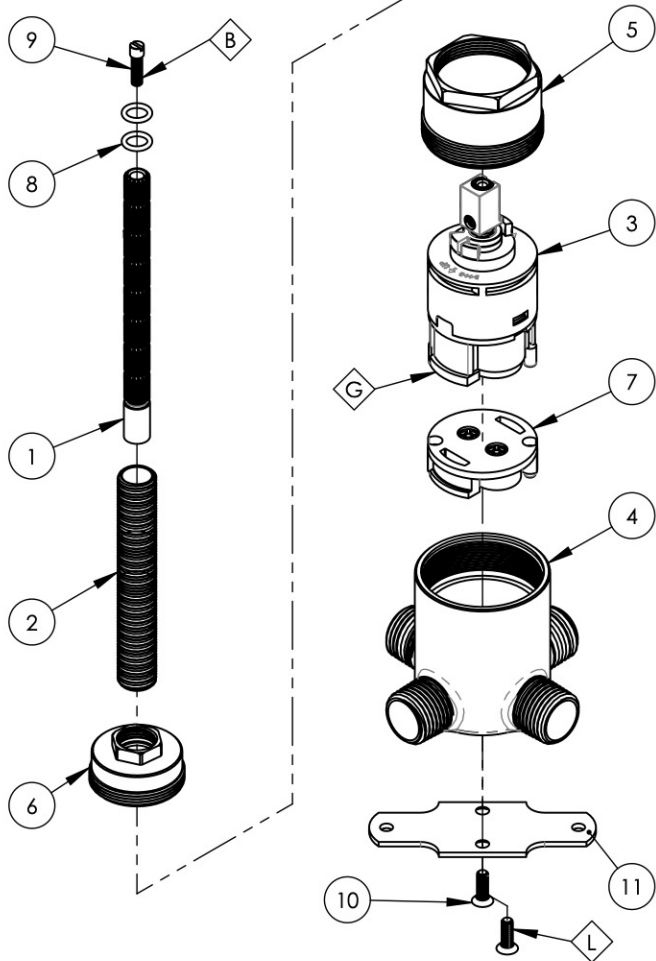


NOTE(S):
1. PART NUMBER, "/00" DENOTES PART SHALL HAVE FINISH.

2. APPLY NSF COMPLIANT GREASE TO ANY O-RING, SEALING JOINTS, AND/OR PIVOTAL POINTS.
3. APPLY NSF COMPLIANT LOCTITE TO THREADED AREA.
4. APPLY NSF COMPLIANT REMOVABLE (BLUE) LOCTITE TO THREADED AREA.
5. SILVER SOLDER JOINTS SHALL BE FULLY WETTED VIA CAPILLARY ACTION AND COMPLETELY NON-POROUS.



| ITEM NO. | PART NUMBER | DESCRIPTION | QTY. |
|----------|-------------|--|------|
| 1 | 10054 | STEM EXTENSION, 6" LONG 20PT INT. TO 16PT LONG EXT. BROACH | 1 |
| 2 | 10209 | SHANK, NIPPLE THREAD ALL 9/16"-20UN WITH .433"ID | 1 |
| 3 | 11800 | CARTRIDGE, PRESSURE BALANCE W/ INT. DIVERTER, JL02BD-001 | 1 |
| 4 | 11890 | VALVE BODY, PRESSURE BALANCE, 1/2" | 1 |
| 5 | 11891 | NUT, PRESSURE BALANCE VALVE | 1 |
| 6 | 11892 | NUT FOR ALL THREAD, PRESSURE BALANCE VALVE | 1 |
| 7 | 12077 | CHECK VALVE BASE, HJ11LA02 | 1 |
| 8 | 90011 | O-RING, 5/16"ID X 1/16"THK, AS-568-011 | 2 |
| 9 | 92157 | SCREW, SMALL HD M4X0.7 - 1/2"L | 1 |
| 10 | 92160 | SCREW, FLAT HD. 8-32 X 1/2"L | 2 |
| 11 | 92441 | MOUNTING BRACKET, STAINLESS STEEL, PB VALVE | 1 |

| ZONE | REV. | DESCRIPTION | DATE | APPROVED |
|-----------|------|-------------|------|----------|
| REVISIONS | | | | |

1261 LOGAN AVENUE
COSTA MESA, CALIFORNIA 92626
PHONE: 714.361.4800
FAX: 714.617.3120

PHYLIRICH[®]
Defining Luxury Since 1959

PROPRIETARY AND CONFIDENTIAL
THE INFORMATION CONTAINED IN THIS DRAWING IS THE SOLE PROPERTY OF PHYLIRICH. ANY REPRODUCTION IN PART OR AS A WHOLE WITHOUT THE WRITTEN PERMISSION OF PHYLIRICH IS PROHIBITED.

| | | | | |
|-----------------------------|---------|---|--|----------------|
| - | - | INTERPRET GEOMETRIC DIMENSIONING & TOLERANCING IN ACCORDANCE WITH ASME Y14.5-2009 & ASME Y14.41-2003 STANDARDS, UNLESS OTHERWISE SPECIFIED. DIMENSIONS ARE IN INCHES. TOLERANCES ARE: | | |
| NEXT ASSY | USED ON | FRACTIONS ±1/16" | DECIMALS X.X: ±.1 X.XX: ±.01 X.XXX: ±.005 | ANGULAR ±2° |
| APPLICATION | | MATERIAL | NAME | DATE |
| FINISH | | DRAWN | RAH | 8/8/2019 |
| DO NOT SCALE DRAWING | | CHECKED | | |

VALVE, PRESSURE BALANCE, 1/2", NO SERVICE STOPS

| | | |
|------------------|----------------------|----------|
| SIZE A | ASM/PRT NO. 1-030 | REV - |
|------------------|----------------------|----------|

SCALE: 1:2.75 WEIGHT: lbs. SHEET 1 OF 2