

## Models

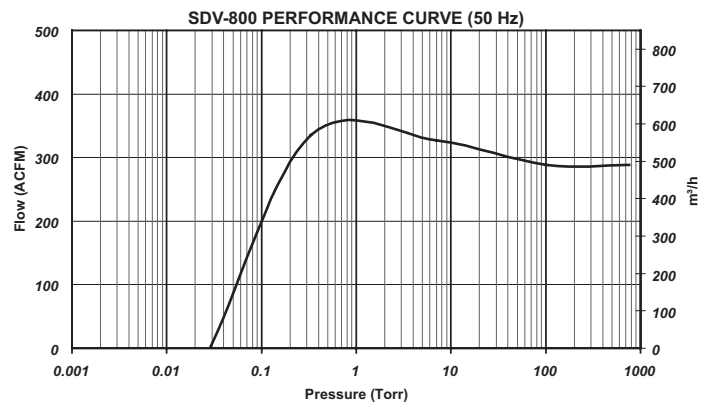
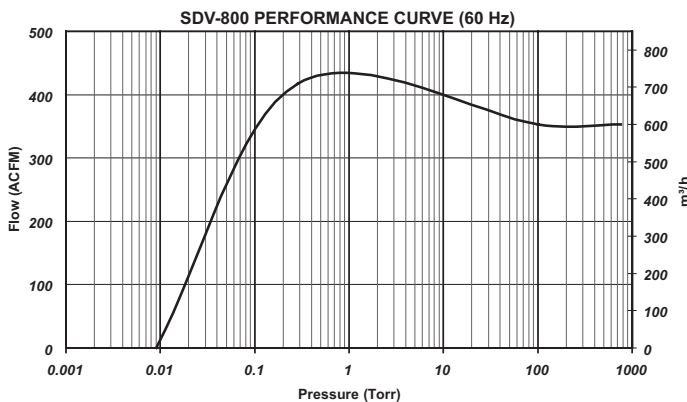
SDV-800

## Features

- Patented variable pitch rotor design
- No oil or water in contact with process gases
- No metal-to-metal contact between operating parts
- Space saving C-face motor design eliminates need for motor coupling and guard
- Short gas path through the pump for quick discharge
- Quiet operation  $\leq 85$  dB(A)
- PEEK coated internals reduce damage from corrosive or condensable gases



## Typical Pumping Speed Curves



## Materials of Construction

### Non-Process-Wetted Surfaces:

Ductile iron, uncoated

### Process-Wetted Surfaces:

Ductile iron, PEEK coating

### Timing Gears:

Alloy steel, precision ground, helical type

### SHAFT SEALS:

**Drive End:** Mechanical seal & lip seal

**Non-Drive End:** Triple lip seals

**Drive Shaft:** Mechanical seal

**O-rings:** Kalrez® compound 6375

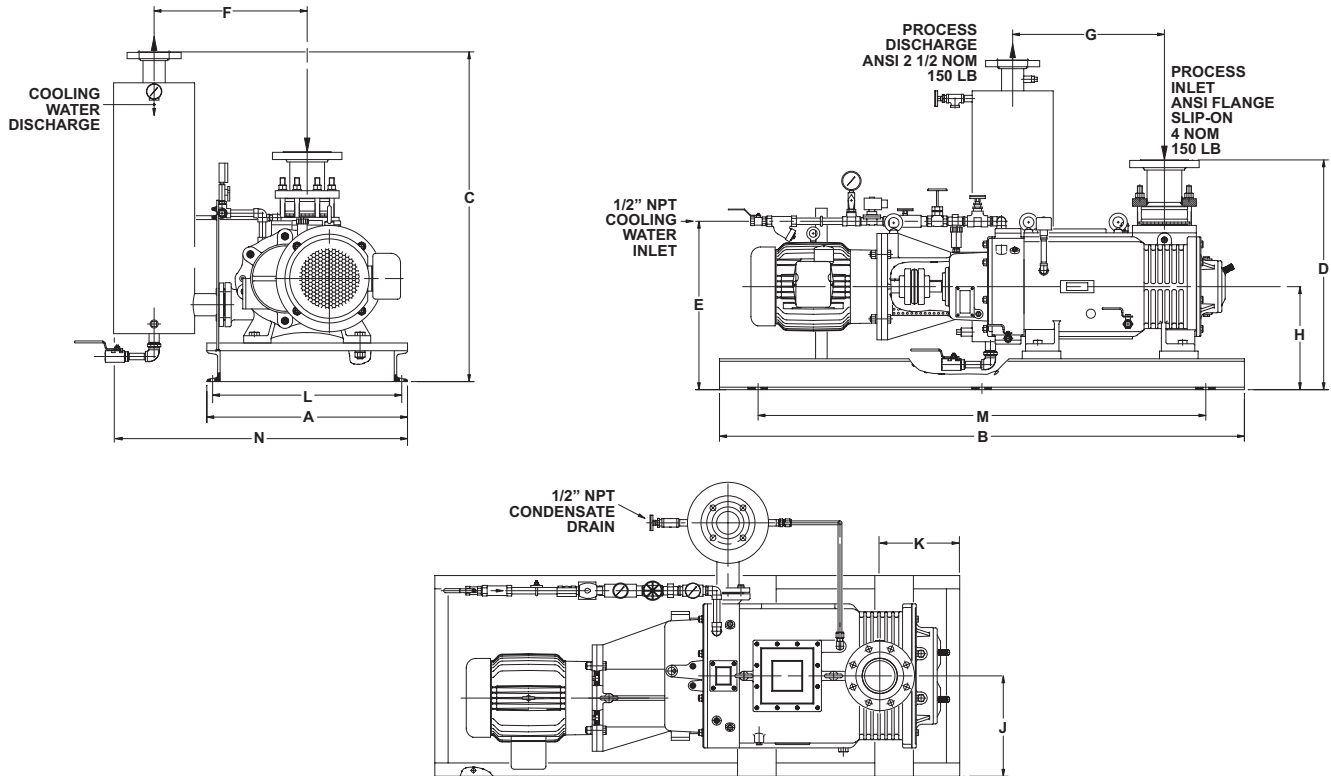
Kalrez® is a registered trademarks of E.I. duPont de Nemours and Company.

# Specifications

MODEL	CAPACITY (60 HZ) (50 HZ) CFM / m <sup>3</sup> /h	ULTIMATE PRESSURE (60 HZ) (50 HZ) Torr / mbar	ROTATION SPEED 60 HZ / 50 HZ	MOTOR HP	POWER CONSUMPTION 60 HZ / 50 HZ kW	SUCTION FLANGE (ANSI, 150# FF) in. / mm	DISCHARGE FLANGE (ANSI, 150# FF) in. / mm	COOLING WATER GPM / L/min	NOISE LEVEL dB(A)
SDV-800	441 / 750 368 / 625	0.01 / 0.013 0.03 / 0.04	3500 / 2900	20	13 / 11	4 / 100	2.5 / 65	5.3 / 20	85

# Dimensions

Values shown are approximate and should not be used for construction.  
Certified drawings are available through your local Kinney Sales Professional.



in. mm.	A	B	C	D	E	F	G	H	J	K	L	M	N	BARE SHAFT LBS kg	COMPLETE UNIT LBS kg
SDV-800	26 660	68 1727	42.71 1085	29.76 756	21.82 554	19.83 504	19.66 499	13.35 339	13 330	10.36 263	24.5 622	58 1473	38 965	1212 550	1970 894

## CONTACT US

For more information, contact your  
Regional Sales Manager or call us at:

**1-800-825-6937**

Your Local Sales Professional: