

Models

KVO-1100 KVO-1300

Features

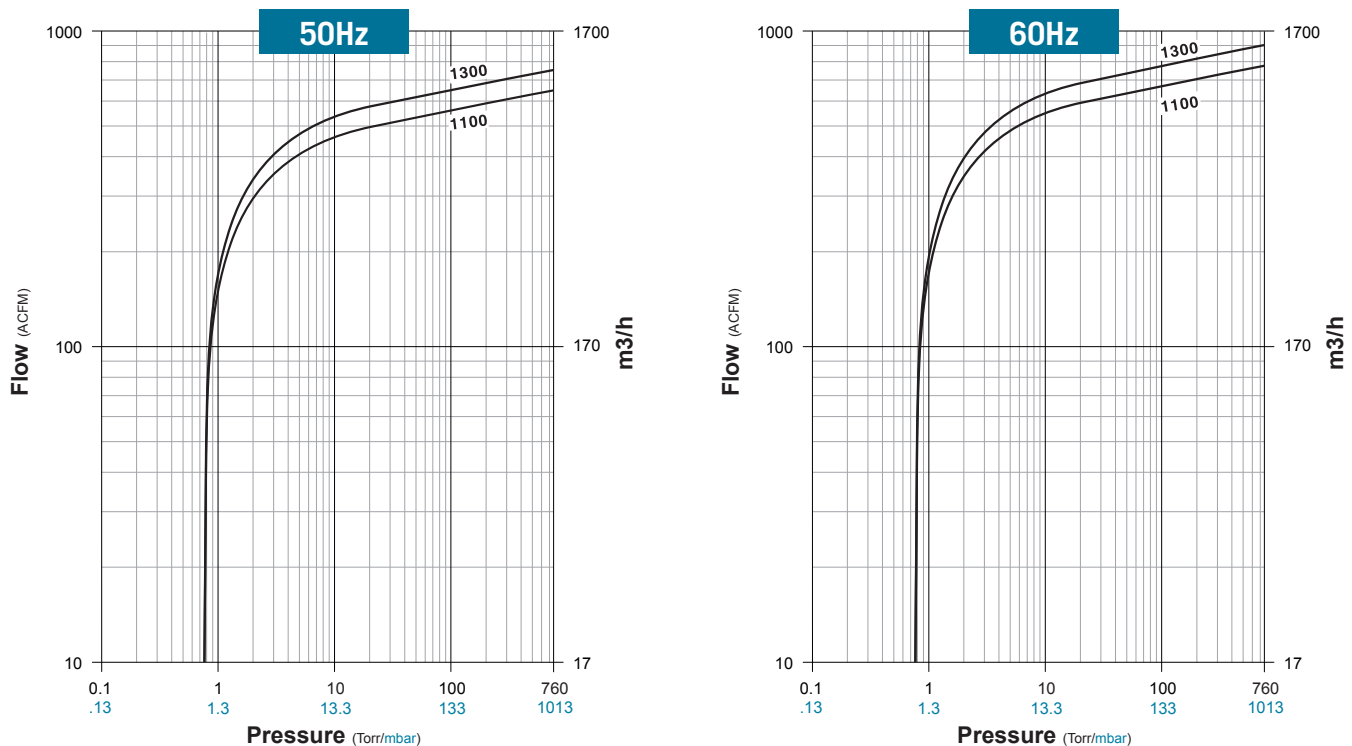
- Rugged and easy to service
- High efficiency
- Quiet, small footprint
- Equipped with NEMA Premium motor
- Easy maintenance and less downtime
- Air-cooled
- Ultimate vacuum for continuous operation of 0.75 Torr (with gas ballast), 0.075 without gas ballast
- Standard gas ballast
- Multistage exhaust filtration system



Specifications

| Model | Nominal Displacement | Ultimate Pressure Without Gas Ballast | Ultimate Pressure With Gas Ballast | Motor | Rotation Speed | Oil Capacity | Pump Weight Includes Motor | Noise Level Max |
|-----------------|------------------------------------|---------------------------------------|------------------------------------|-------------------|----------------|---------------|----------------------------|-----------------|
| | CFM / m3/hr | Torr / mbar | Torr / mbar | 60Hz HP / 50Hz kW | 60Hz / 50Hz | Gal. / Liters | Lbs. / kg | dB(A) |
| KVO-1100 | 50Hz 647 / 1100 60Hz 777 / 1320 | 0.075 / 0.1 | 0.75 / 1.0 | 40 / 30 | 1140 / 950 | 6.5 / 25 | 2471 / 1121 | 83 |
| KVO-1300 | 50Hz 753 / 1280 60Hz 903 / 1534 | 0.075 / 0.1 | 0.75 / 1.0 | 40 / 30 | 1140 / 950 | 6.5 / 25 | 2486 / 1128 | 84 |

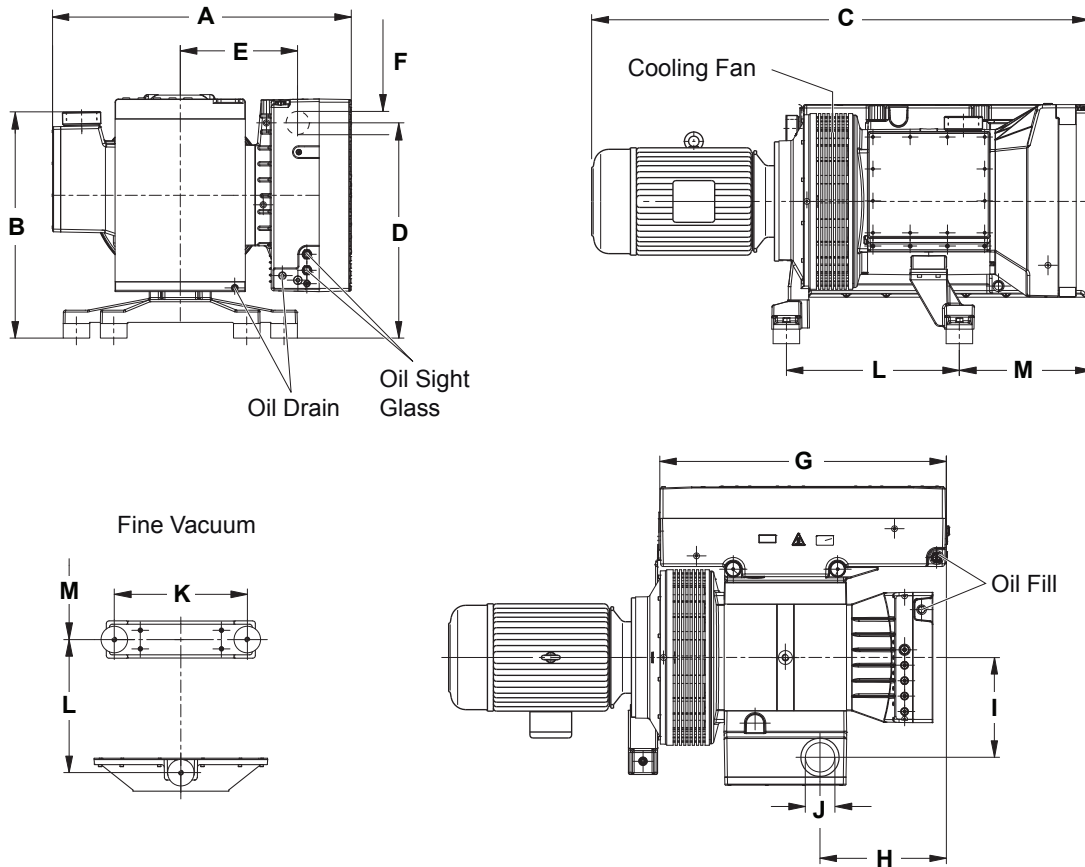
Typical Pumping Speed Curves NOTE: Curves represented with gas ballast open.



Dimensions

Values shown are approximate and should not be used for construction.
 Certified drawings are available through your local Kinney Sales Professional.

Models KVO-1100, KVO-1300



| Model | A | B | C | D | E | F - EXHAUST | G | H | I | J - INLET | K | L | M |
|-----------------------------|---------------|--------------|---------------|--------------|--------------|-------------|---------------|-------------|--------------|-----------|--------------|--------------|-------------|
| KVO-1100 in. / mm | 44.29 1125 | 29.06 738 | 75.57 1920 | 27.52 699 | 17.36 441 | 3" FNPT | 45.49 1156 | 20.8 510 | 14.76 375 | 4" FNPT | 19.68 500 | 19.68 500 | 25.2 640 |
| KVO-1300 in. / mm | 44.29 1125 | 29.06 738 | 75.57 1920 | 27.52 699 | 17.36 441 | 3" FNPT | 45.49 1156 | 20.8 510 | 14.76 375 | 4" FNPT | 19.68 500 | 19.68 500 | 25.2 640 |

CONTACT US

For more information, contact your
 Regional Sales Manager or call us at:

1-800-825-6937

Your Local Sales Professional: