

Electric Operated Condensate Drain

# Posi-Drain



The chopping, guillotine action of the Posi Valve creates a non clogging, straight-through flow.

Removes condensate, (oil and water) from compressed air systems.

## Features

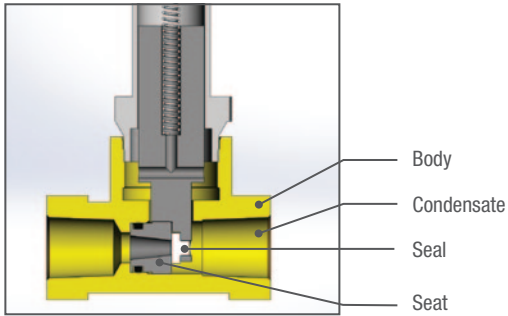
- Straight-through flow pattern
- Robust seat and seal design
- Dual-adjustable solid-state external timer
- Pilot lights for Power (red) and Valve Open (green)
- NEMA 4X enclosure
- Multi-valve capabilities
- Self-cleaning action
- Mounting tabs for wall or panel mount
- Versatile for many applications

## Benefits

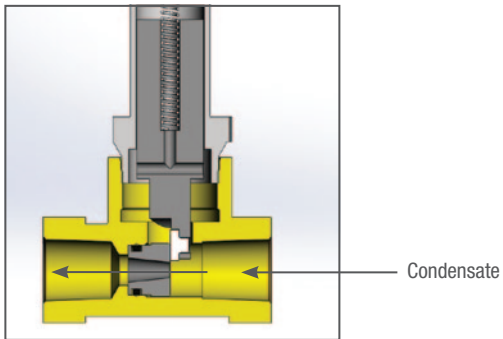
- Prevents clogging
- Provides extended service on the most demanding applications
- Easy adjustment of both drain frequency and length of drain cycle
- Indicate drain status at a glance
- Rugged and non-corrosive
- PD7000 operates one to four valves at once
- Makes valve dependable in adverse conditions
- Flexible positioning
- Can be used for filters, air receivers, air dryers, separators and aftercoolers

## Posi Valve

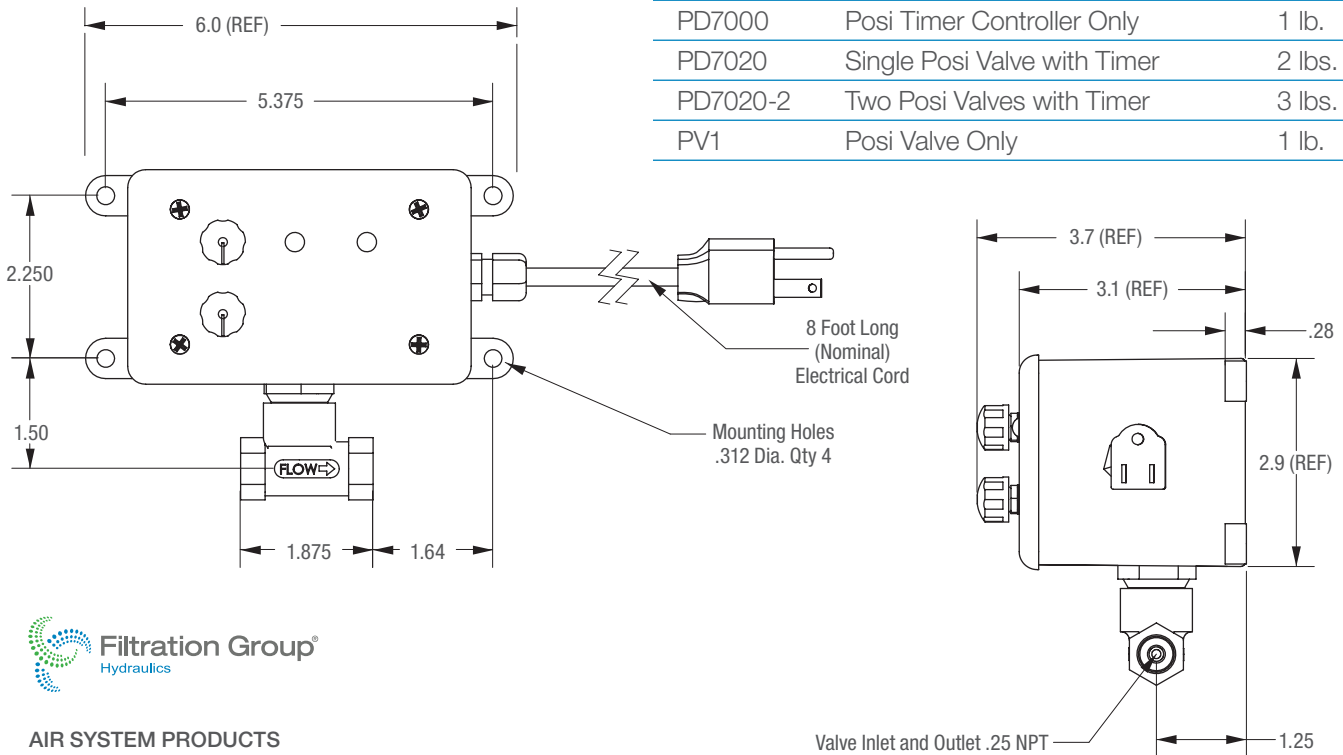
### Closed Position



### Open Position



## Dimensions



**AIR SYSTEM PRODUCTS**  
 51 Beach Ave.  
 Lancaster, NY 14086  
 Phone: 716.683.0435  
 Fax: 716.683.7128  
 Email: info@airsyspro.com  
 www.filtrationgroup.com

## How It Works

The Posi-Drain is a premium timer drain based on the remarkable, chopping, guillotine action of the Posi Valve. This robust valve creates a non clogging, straight-through flow.

The timer initiates a drain cycle by energizing a magnet coil that slides up the seal assembly and creates a straight through flow path for condensate. When the timer times-out, the coil is de-energized and the seal assembly is spring-returned to the closed position. The opening and closing action also serves to wipe contaminants from the sealing surfaces to ensure a positive seal and no air.

## Specifications

Inlet/Outlet: 1/4" NPT

Drain Cycle Frequency: 5 secs. – 50 mins.

Drain Cycle Time: 1 – 15 secs.

Pressure: 200 PSI

Grounded Cord: 8 ft.

Power: 110 V, 60 Hz., 1 Ph. with options for others

NEMA 4X Enclosure: 6" X 3" x 3"

Material: Body-Bronze, Seat-Stainless Steel, Seal-"Delrin"

## Ordering Information

Stock No.	Description	Weight
PD7000	Posi Timer Controller Only	1 lb.
PD7020	Single Posi Valve with Timer	2 lbs.
PD7020-2	Two Posi Valves with Timer	3 lbs.
PV1	Posi Valve Only	1 lb.