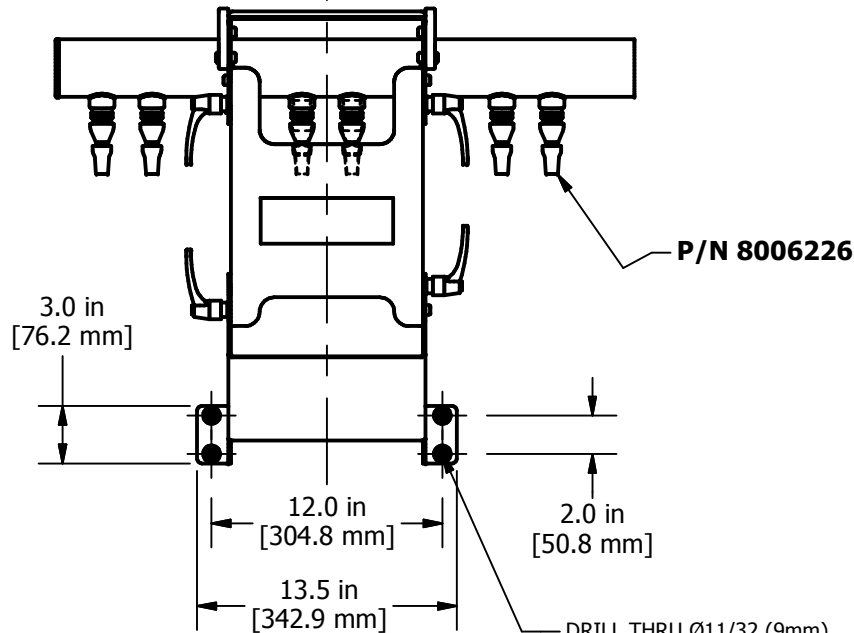
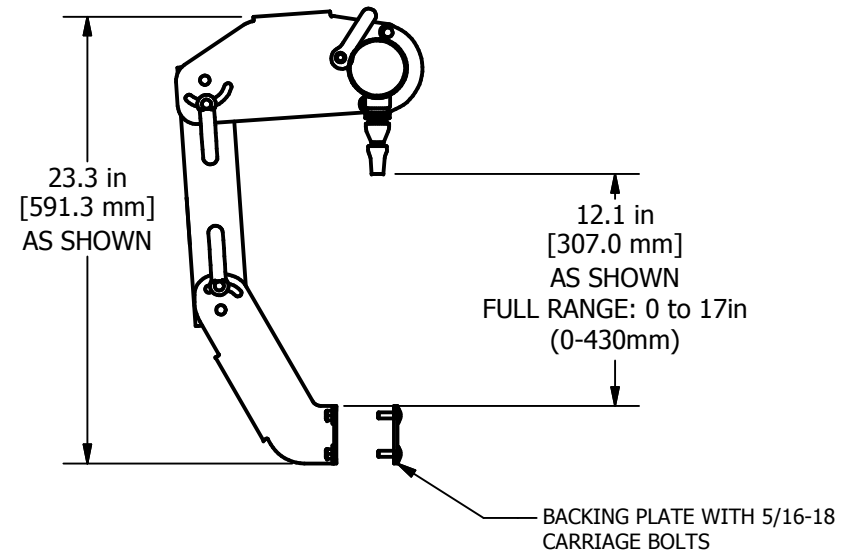
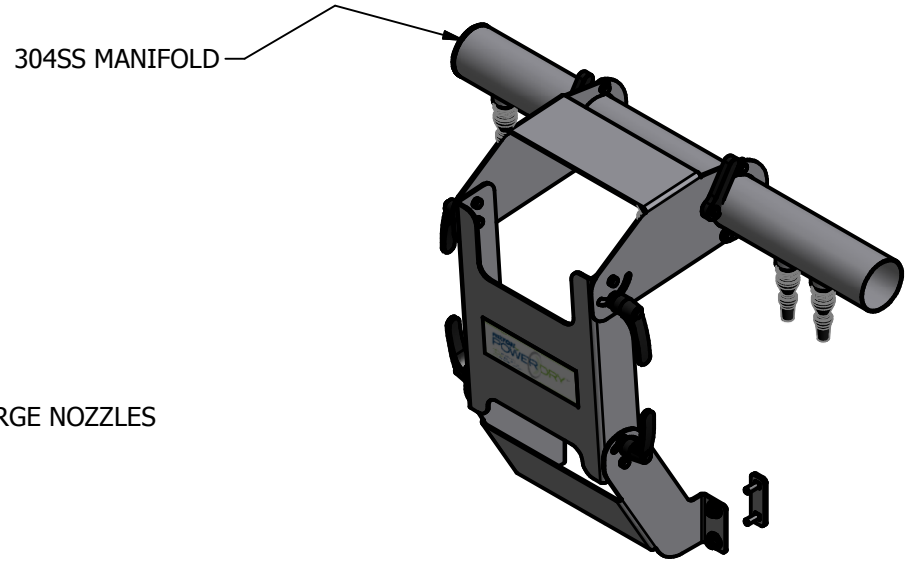


(6) Ø1/2 in DISCHARGE NOZZLES
[12.9 mm]



DRILL THRU Ø11/32 (9mm)
(4 PLACES FOR
5/16" CARRIAGE BOLT)



PATENT PENDING

WT: 23.2 lbs (10.5 kgs)

MATERIAL: 304SS
FINISH: POLISHED
FASTENERS/HARDWARE: 304SS or 18-8 SS

NOZZLE KIT,
FULL REPLACEMENT:
8006210-NK

THIS DOCUMENT IS THE PROPERTY OF PAXTON PRODUCTS AND IS FURNISHED ON THE CONDITION THAT IT IS TO BE USED ONLY BY PAXTON CUSTOMERS FOR INTEGRATING PAXTON EQUIPMENT. THIS DOCUMENT MAY BE USED BY CUSTOMERS TO CREATE THEIR OWN EQUIPMENT DOCUMENTATION. OTHERWISE THIS DOCUMENT IS NOT TO BE USED IN ANY SHAPE OR FORM TO CREATE DOCUMENTS, PARTS, OR EQUIPMENT.



10125 Carver Road Phone: (800) 441-7475
Cincinnati, OH 45242 (513) 891-7474
www.paxtonproducts.com

MOUNTING SYS & STAINLESS STEEL INLINE
MANIFOLD, 304 & 18-8 SS, 6 (1/2"ID) NOZZLES

DATE
4/5/2010

INVENTOR DWG No.

OA-8006210-SS