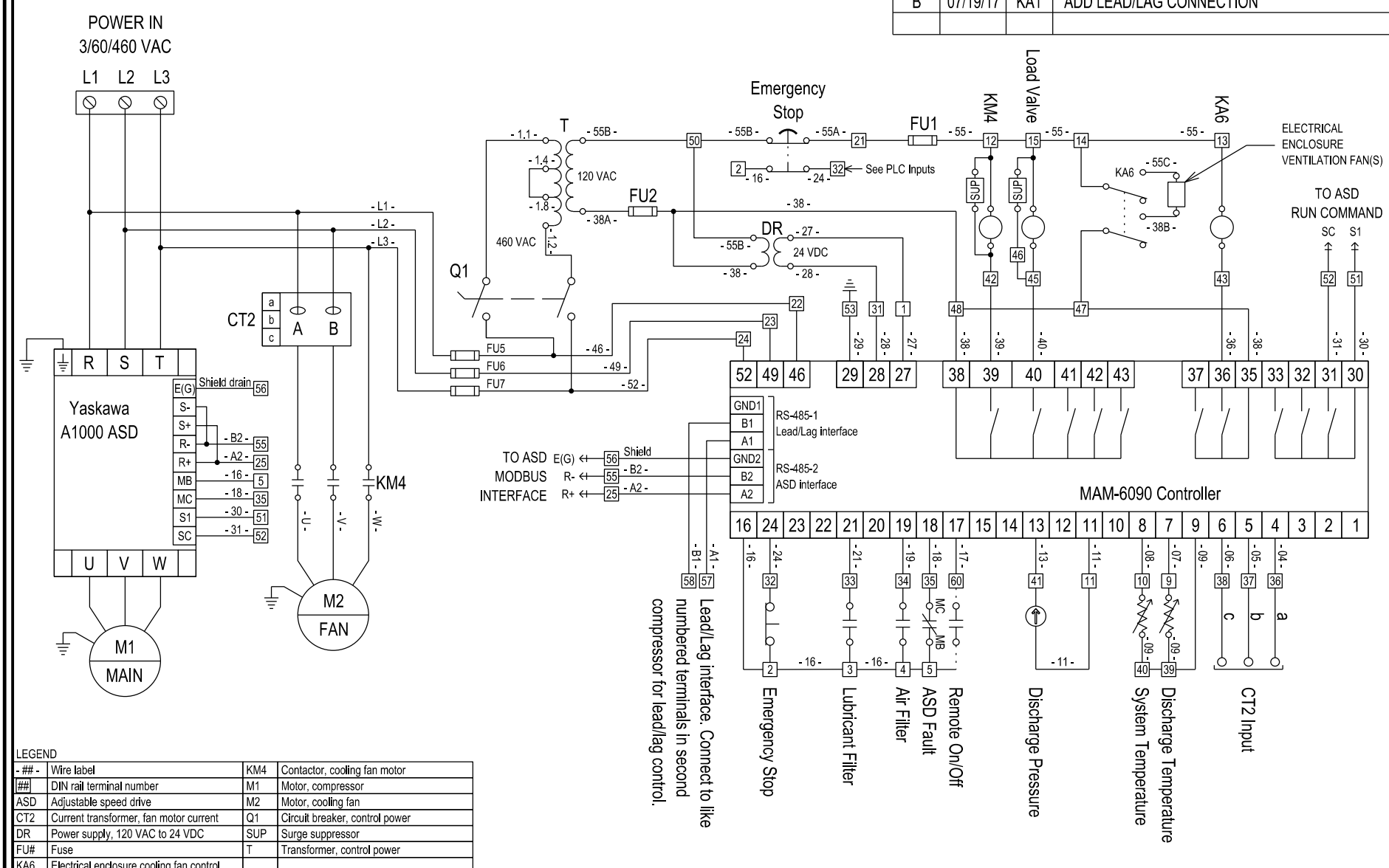


REV	DATE	BY	DESCRIPTION
A	11/21/16	KAT	ORIGINAL RELEASE
B	07/19/17	KAT	ADD LEAD/LAG CONNECTION



LEGEND

##	Wire label	Component
##	Wire label	KM4 Contactor, cooling fan motor
##	DIN rail terminal number	M1 Motor, compressor
##	Adjustable speed drive	M2 Motor, cooling fan
##	Current transformer, fan motor current	Q1 Circuit breaker, control power
##	Power supply, 120 VAC to 24 VDC	SUP Surge suppressor
##	Fuse	T Transformer, control power
##	Electrical enclosure cooling fan control	

DRAWN	K.A. TURKELL	11/21/16
CHECKED		
SHEET		SCALE
REF:	KSLGDGF0346060CB	

**ROGERS MACHINERY COMPANY, INC.**  
 CORPORATE ENGINEERING  
 14650 S.W. 72ND AVENUE  
 PORTLAND, OREGON 97224  
 www.rogers-machinery.com

**ELECTRICAL SCHEMATIC**  
 RMC-KIV SERIES  
 10 - 100 HP  
 460 VAC

**DRAWING NUMBER**  
 R00004E.B