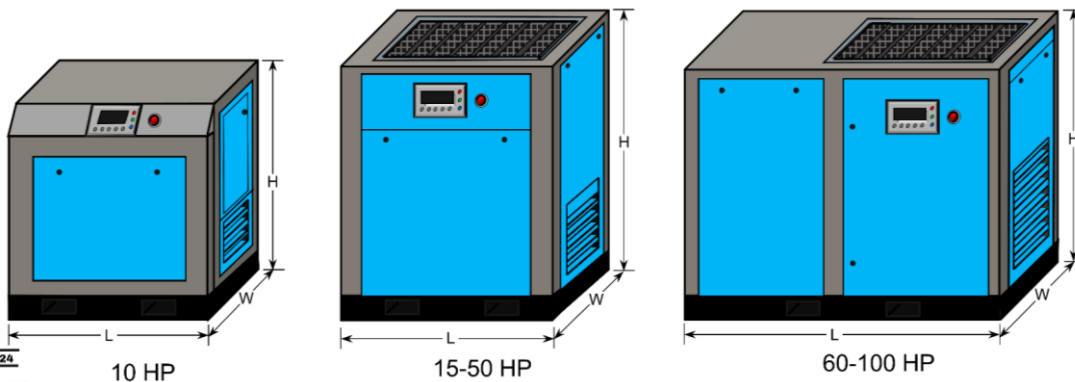


KI Series Performance Data and Dimensions

MODEL	MOTOR (HORSEPOWER)	CAPACITY (100 PSIG)	CAPACITY (125 PSIG)	CAPACITY (150 PSIG)	SOUND LEVEL (dB(A))	DIMENSIONS (L x W x H inches)	WEIGHT (LBS)
KI-10	10	35	32	28	70	40x30x45	900
KI-15	15	60	50	43	73	44x33x49	1250
KI-20	20	83	73	63	73	44x33x49	1350
KI-25	25	113	100	89	73	46x37x57	1600
KI-30	30	134	117	108	73	46x37x57	1750
KI-40	40	201	179	156	74	55x44x66	2500
KI-50	50	241	215	187	74	55x44x66	2550
KI-60	60	292	291	--	75	77x46x62	3500
KI-75	75	378	371	--	75	77x46x62	3700
KI-100	100	460	455	--	76	83x48x65	4650

KIV Series Performance Data and Dimensions

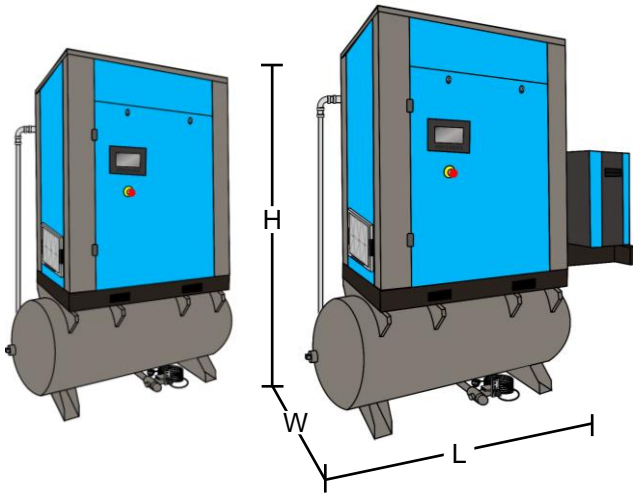
MODEL	MOTOR (HORSEPOWER)	CAPACITY (100 PSIG)	CAPACITY (125 PSIG)	CAPACITY (150 PSIG)	SOUND LEVEL (dB(A))	DIMENSIONS (L x W x H inches)	WEIGHT (LBS)
KIV-10	10	11-33	11-29	12-25	70	42x30x45	950
KIV-15	15	22-54	19-46	16-40	73	45x34x52	1300
KIV-20	20	32-74	26-65	21-52	73	45x34x52	1400
KIV-25	25	34-101	27-89	25-79	73	46x37x60	1650
KIV-30	30	40-118	32-109	28-90	73	46x37x60	1800
KIV-40	40	74-185	72-162	63-142	74	55x44x66	2600
KIV-50	50	89-222	63-195	55-171	74	55x44x66	2650
KIV-60	60	109-291	--	--	75	77x46x62	2900
KIV-75	75	109-341	107-314	102-284	75	77x46x62	2900
KIV-100	100	151-479	149-433	143-367	76	83x48x65	4750



Air delivery in accordance with ISO-9300 and ISO-1217. All data subject to change without notice.
Allow at least 36 inches (92 cm) service clearance around assembly and 42 inches (107 cm) of clearance in front of electrical panels.

Tank Mounted Dimensions

MODEL	TANK MOUNTED		TANK MOUNTED w/DRYER		
	WEIGHT (LBS)	DIMENSIONS (L x W x H inches)	DRYER	WEIGHT (LBS)	DIMENSIONS (L x W x H inches)
KI-10	1300	70x36x75	HPR35	1432	82x36x75
KI-15	1750	70x40x82	HPR50	2029	82x40x82
KI-20	1750	70x40x82	HPR75	2029	82x40x82
KI-25	2150	70x40x85	HPR100	2485	82x40x85
KI-30	2150	70x40x85	HPR125	2485	82x40x85
KIV-10	1350	70x36x75	HPR35	1570	82x36x75
KIV-15	1800	70x40x85	HPR50	2097	82x40x85
KIV-20	1800	70x40x85	FLX1.1	2097	82x40x85
KIV-25	2200	70x40x88	FLX1.2	2602	82x40x88
KIV-30	2200	70x40x88	FLX1.2	2602	82x40x88



NOTE

KI/KIV 175 and 200 psi models are available on 10-50 hp models. Please consult your factory representative for model and performance information.

K Series

ROGERS Machinery Company Inc.

3509 Galvin Rd.

Centralia, WA 98331

Phone: 360.736.9356

Fax: 360.736.8630



rogers-machinery.com