



ROTARY SCREW AIR COMPRESSORS

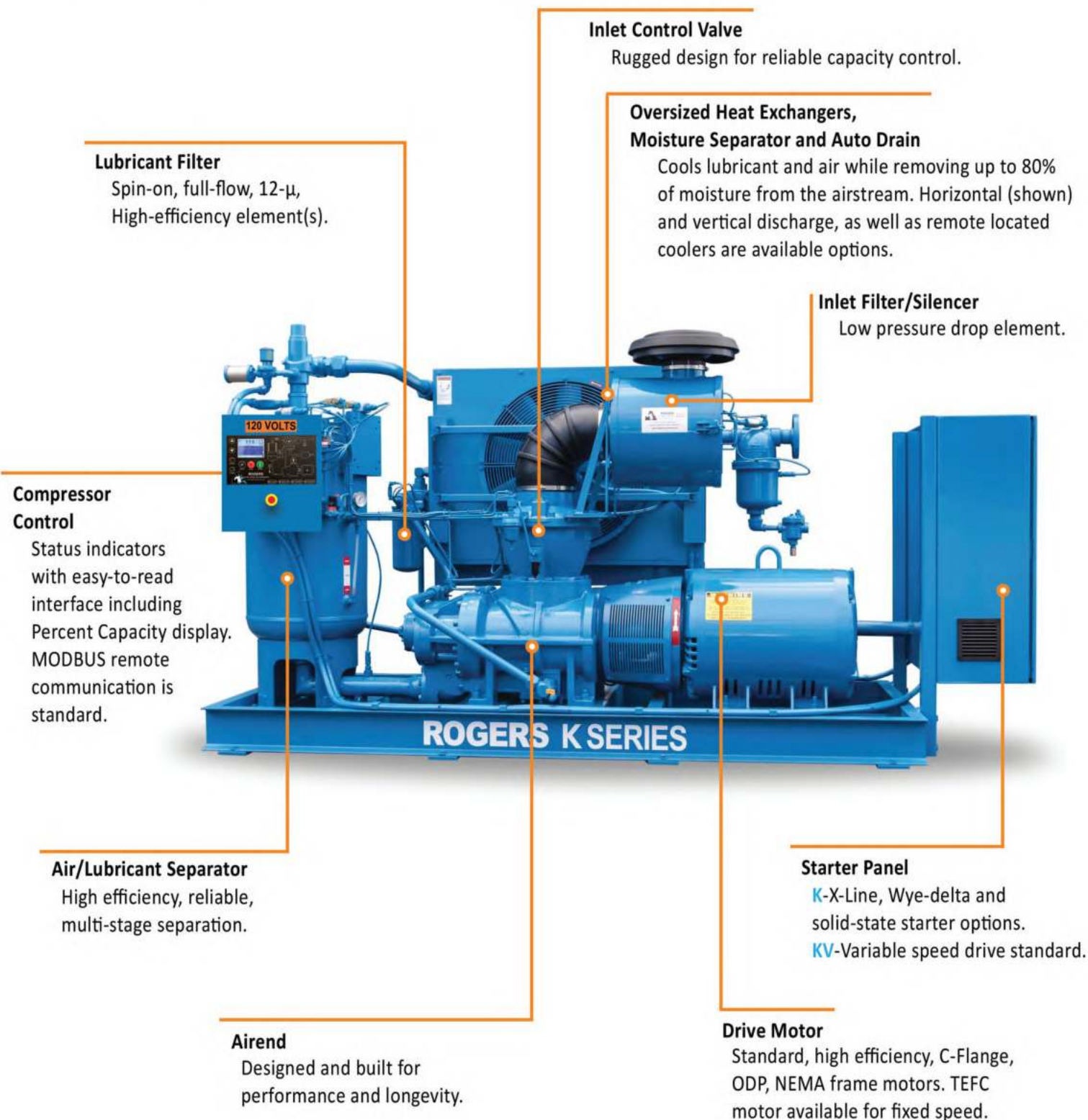
# K-KV Series

Fixed or Variable Speed ■ Lubricant-Injected ■ Single-Stage  
40-350 HP ■ Air or Water-Cooled ■ 40-210 PSIG



# ROGERS® K-KV Series

## A Look Inside the K/KV Series . . .



### Lubricant Filter

Spin-on, full-flow, 12- $\mu$ , High-efficiency element(s).

### Inlet Control Valve

Rugged design for reliable capacity control.

### Oversized Heat Exchangers, Moisture Separator and Auto Drain

Cools lubricant and air while removing up to 80% of moisture from the airstream. Horizontal (shown) and vertical discharge, as well as remote located coolers are available options.

### Inlet Filter/Silencer

Low pressure drop element.

### Compressor Control

Status indicators with easy-to-read interface including Percent Capacity display. MODBUS remote communication is standard.

### Air/Lubricant Separator

High efficiency, reliable, multi-stage separation.

### Airend

Designed and built for performance and longevity.

### Starter Panel

**K**-X-Line, Wye-delta and solid-state starter options.  
**KV**-Variable speed drive standard.

### Drive Motor

Standard, high efficiency, C-Flange, ODP, NEMA frame motors. TEFC motor available for fixed speed.

*Compressor model K-100-100 shown with optional Solid-State starter.*

# ROGERS® K-KV Series

## At the Heart of Reliability and Performance



ROGERS® delivers an ecologically friendly and energy-efficient compressor design.

### C-Face Motor Mount

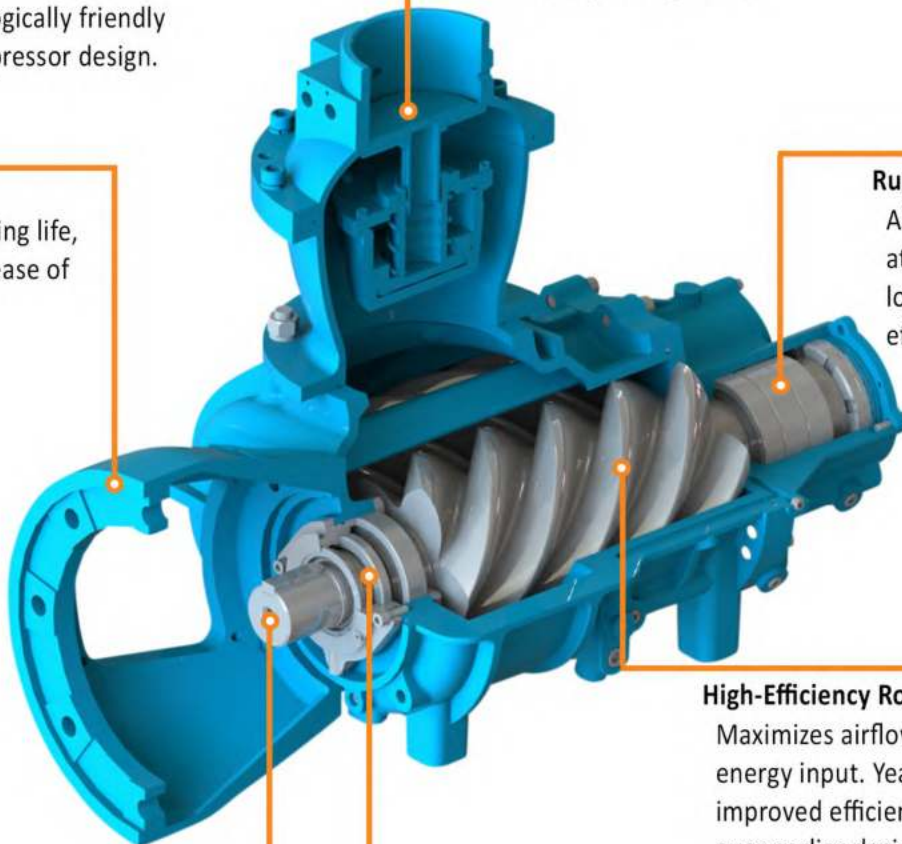
Ensures extended coupling life, quieter operation, and ease of alignment.

### Heavy-Duty Inlet Valve

Provides reliable capacity control in all operating modes.

### Rugged Bearings

Absorbs radial and axial loads at low speed to provide longevity and smooth, efficient, operation.



### High-Efficiency Rotor Design

Maximizes airflow while requiring minimal energy input. Years of development have improved efficiency by more than 20% over earlier designs.

### Flexible Coupling (not shown)

Easily removable for maintenance on motor or airend.

### Triple-Lip Shaft Seal

With scavenge line back to airend, provides unequalled reliability and leak protection.

## The Assembly Offers . . .

### Long-Lasting Bearings

SKF bearings combined with slower rotational speeds consistently outlast competitive designs.

### Triple-Lip Shaft Seal

Lip shaft seals are more reliable than typical mechanical seals.

### ROGERS® CLS-46 Lubricant

Specifically formulated to provide long life in Rogers' rotary screw air compressors. Option for food grade and other alternative lubricants available.

### Energy Efficient

The 5:6 rotor profile, lubricant injection, and discharge porting are designed for optimal performance with high volumetric efficiency.

### Slow Speed Rotors

Direct driven, non-g geared design. The male rotor runs at motor speed maximizing efficiency and longevity while reducing noise levels.

### Warranty

Our standard 5-year airend and motor and extended 10-year airend warranties are the best supported warranties in the industry.

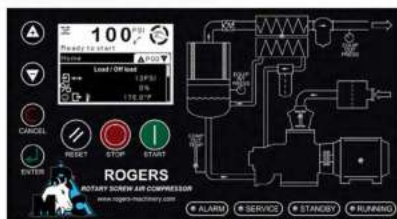
# ROGERS® K-KV Series



1

## Compressor Control

Optimum performance with efficient pressure and flow control. The microprocessor control monitors, regulates, and protects. Machine status service, and repair conditions are communicated through lights and text displays. Our standard controller features Ethernet monitoring, MODBUS communication for remote control and onboard sequencing for multiple compressors. Optional PLC based, GOAT 3 controls available with a high-resolution touchscreen panel.



2

## Airend

Direct drive design increases efficiency and longevity. The 5:6 rotor profile design eliminates airflow losses while the housing optimizes lubricant injection and discharge porting to maximize volumetric efficiency. Our C-face motor mounting is standard throughout the product range and allows for easy alignment of motor to airend.



## ROGERS® Machinery Co., Inc.

### THE COMPANY

From our founding in 1949, **ROGERS®** Machinery Co. has designed, built, and serviced compressed air systems and other plant utility equipment. **ROGERS®** builds the **K Series**, oil-lubricated compressors, in Centralia, WA and our **KNW**, oil-free compressors, in Portland, OR. In addition, we provide 24/7 sales, parts, and service support to our branch offices and distributor partners while maintaining an extensive inventory of parts for service and repair.

### INNOVATIVE

The **ROGERS® K/KV Series** compressors represent a complement of features designed to provide "best in class" performance, with features such as advanced inlet filtration and low pressure loss inlet valves, efficient 5:6

# ROGERS® K-KV Series

3



## Air/Lubricant Separator

Five-stage separation system produces less than 2 PPM (w) lubricant carryover. Complete with sight glasses for lubricant level and scavenging lines. Two nested separator elements provide the best separation at all operating conditions while saving you money by reducing the need to top off the lubricant between changes.

4

## Inlet Control Valve

The large cast housing operates smoothly and reliably for efficient airflow within a narrow pressure band and operates in multiple control modes. Inlet valve doubles as a check valve preventing oil loss and backspin at shutdown or power loss.



5

## Inlet Filter/Silencer

The first stage of air treatment designed to protect lubricant, compressor and system. The dry-type element and housing are selected for minimum pressure drop and maximum dirt carrying capacity. All models include a tube connection with rain hood to allow remote inlet air supply ducting in harsh environments.



6

## Variable Speed Drive

The KV Series includes a heavy-duty control designed to match demand with flow. By oversizing the VFD, we deliver maximum power savings with incredible longevity.

*\*Multiple brand options available.*



## Variable Speed Drive Cooling Fan (Optional)

The control loop for our VSD cooling fan manages heat rejection while saving significant power and reducing fan noise. Your utility may have incentives for this option.

## ... the Right Choice

rotor profiles, low lubricant carry-over separation, high-capacity coolers, and highly effective moisture removal all add up to give you the most effective and efficient compressor you can install today.

## SYSTEMS

The **ROGERS® K/KV Series** open design allows for easy access to monitor, maintain and repair the assembly. Periodic maintenance such as filter and lubricant changes are made easy. Energy saving, high reliability, and low total cost of ownership are fundamental design features of the machines. Our representative will help you select the right compressed air treatment and storage equipment with a systems approach that ensures you have the correct air quality, pressure, and airflow to your plant.

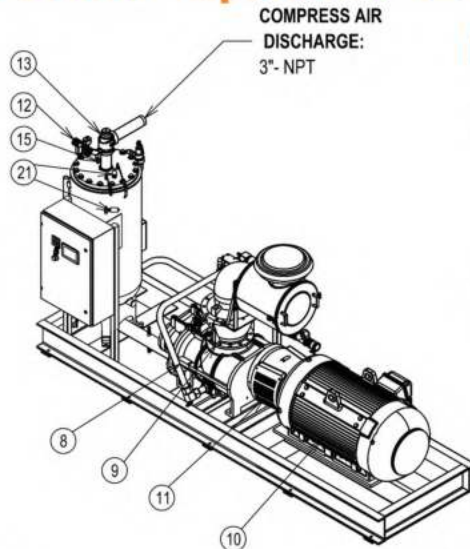
# Customization Options Give Ultimate Flexibility

## CUSTOM SIZES

- ▶ Custom designed compressor skid sizes to save installation costs.

## DUAL COOLED COMPRESSOR

- ▶ Dual cooled with an air cooler and water cooler system.
- ▶ Recover heat of compression for water heating use.
- ▶ Air cooler to be used when pre-heated water isn't needed.



## REMOTE AIR COOLERS

- ▶ Eliminate ventilating hot air from compressor coolers by locating remote coolers outside or other well-ventilated areas.
- ▶ Remote coolers with robust fan and moisture separator mounting are provided on structural steel support frames for floor mounting. Custom mounting design is also available.



## ANALOG GAUGES PACKAGE

- ▶ Are easy to read anytime.
- ▶ No need to push buttons to see status.
- ▶ Simplifies operation and eliminates microprocessor or PLC control.



## Upgrade Your Control System To A

# ROGERS® GOAT3

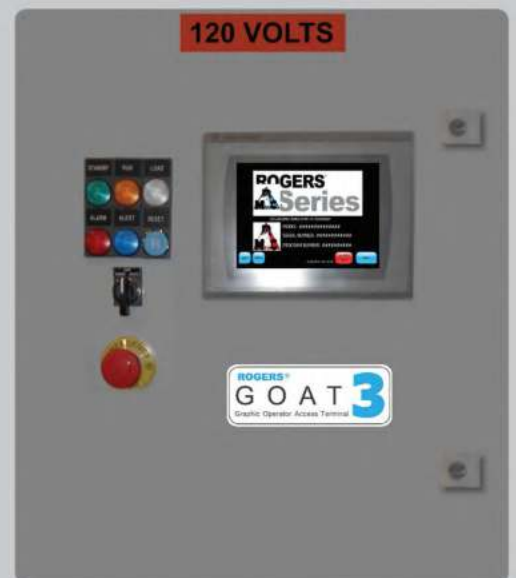
Graphic Operator Access Terminal

Provides Instantaneous and Concise Maintenance and Troubleshooting Status

Color Touchscreen Controller Optimizes and Enhances User Interface

Features Include:

- Allen Bradley CompactLogix™ L306 PLC.
- Beijer Electronics X2, seven-inch color touchscreen.
- Large, easy-to-see Pilot Lights immediately informs you of the unit's status from clear across the room.



# ROGERS® K-KV Series Industry Usage

## Industry Leading Compressor and Vacuum Pumps

Our high-performance, durable compressed air systems are used extensively in many industries. Operating consistently and reliably in demanding conditions, they help keep your plants running efficiently, 24/7.



**Wood Products:** Lumber, plywood, flooring, and mill work production.

**Metals:** Used in smelters, foundries, forges, rebar manufacturing, and machine shop operations.

**Wastewater and Water Treatment:** Used for pumping, mixing, valve positioning, and aeration applications.

**Glass and Plastics:** Utilized in forming, blowing and finishing, sandblasting, etching, and vacuum lifting.

**Beverages:** Used by bottlers, brewers, vintners, distillers, juice, and tea producers.

**Food Processing and Packaging:** Usages include transferring liquid and granular products, cleaning, spraying, filling, etc. The list is nearly endless.



## Unequaled Commitment to Service and Support

### Service and Repair

When you have critical industrial equipment in need of repair, you need 24/7 availability. So, whether you're in need of industrial air compressor repair, industrial vacuum pump repair, or industrial blower repair, we are always ready when you need us.



### Parts

We want to keep your business running smoothly and on time, that's why you can call us whenever you need air compressor parts, parts for pumps, blowers, and vacuum systems. We will have someone available to take your call, search our inventory and find just the part you are looking for.





Serving the United States and  
International Markets With  
Compressed Air, Blowers,  
Pumps and Vacuum Solutions  
Since 1949



Centralia Branch Office, Production and Warehouse Facilities Centralia, WA

## K Series

**ROGERS** Machinery Company, Inc

3509 Galvin Rd. Centralia, WA 98331

Phone: 360.736.9356

[rogers-machinery.com](http://rogers-machinery.com)



ROGERS® **K Series** is designed  
and built in the USA.

**ROGERS® K Series** family of compressors and vacuum pumps



[rogers-machinery.com](http://rogers-machinery.com)



Please recycle after using.