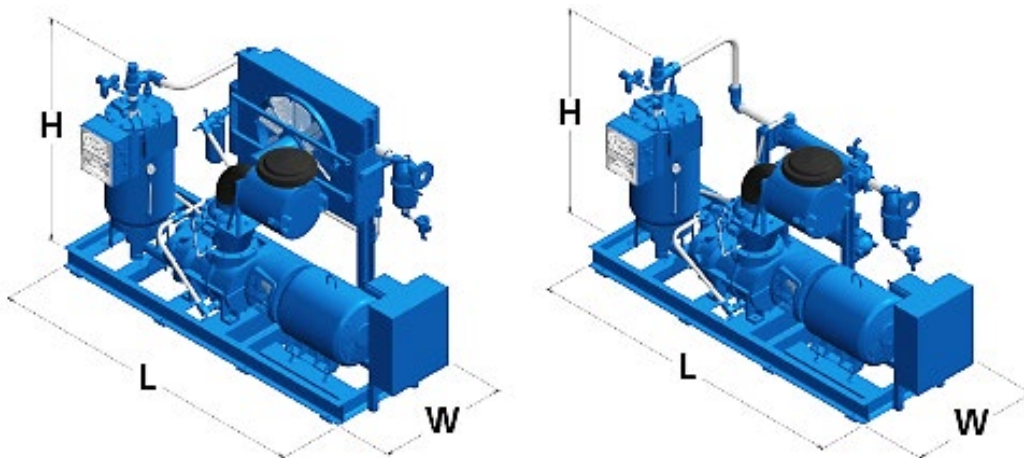


K Performance Data and Dimensions

MODEL	MOTOR (HP)	FLOW ACFM (MAX)	NOMINAL MOTOR RPM	LENGTH AC ♦ WC (IN)	WIDTH AC ♦ WC (IN)	HEIGHT AC ♦ WC (IN)	AIR COOLED WEIGHT (LBS)	WATER COOLED WEIGHT (LBS)
K-40-100	40	190	1800	92 ♦ 92	44 ♦ 45	58 ♦ 58	2958	2903
K-50-100	50	251	1800	92 ♦ 92	44 ♦ 45	58 ♦ 58	2958	2903
K-50-125	50	210	1800	96 ♦ 96	44 ♦ 44	57 ♦ 57	2770	2714
K-60-100	60	313	1800	101 ♦ 101	48 ♦ 44	60 ♦ 64	3598	3351
K-60-125	60	243	1800	101 ♦ 101	48 ♦ 44	64 ♦ 64	3598	3351
K-60-150	60	234	1800	92 ♦ 92	47 ♦ 45	60 ♦ 58	3351	3105
K-75-100	75	364	1800	109 ♦ 109	48 ♦ 44	64 ♦ 64	3814	3596
K-75-125	75	353	1800	101 ♦ 101	48 ♦ 44	64 ♦ 64	3814	3596
K-75-150	75	289	1800	101 ♦ 101	48 ♦ 44	64 ♦ 64	3652	3435
K-100-100	100	519	1800	113 ♦ 102	52 ♦ 51	62 ♦ 63	4550	4277
K-100-125	100	436	1800	102 ♦ 102	52 ♦ 51	62 ♦ 63	4435	4161
K-100-150	100	423	1800	109 ♦ 109	48 ♦ 44	60 ♦ 64	4028	3717
K-125-100	125	633	1800	123 ♦ 123	66 ♦ 64	74 ♦ 73	6145	5626
K-125-125	125	513	1800	123 ♦ 123	66 ♦ 64	74 ♦ 73	6145	5626
K-125-150	125	503	1800	102 ♦ 102	57 ♦ 51	73 ♦ 63	5088	4388
K-150-100	150	784	1800	123 ♦ 123	66 ♦ 64	74 ♦ 73	6428	5909
K-150-125	150	709	1800	123 ♦ 123	66 ♦ 64	74 ♦ 73	6428	5909
K-150-150	150	615	1800	123 ♦ 123	66 ♦ 64	74 ♦ 73	6486	5966
K-200-100	200	1033	1800	131 ♦ 131	68 ♦ 67	89 ♦ 89	7823	7249
K-200-125	200	935	1800	131 ♦ 131	68 ♦ 67	89 ♦ 89	7823	7249
K-200-150	200	758	1800	123 ♦ 123	66 ♦ 64	84 ♦ 73	6868	6112
K-250-100	250	1231	1800	143 ♦ 143	65 ♦ 65	89 ♦ 89	9034	8526
K-250-125	250	1160	1800	143 ♦ 143	65 ♦ 65	89 ♦ 89	8751	8244
K-250-150	250	1012	1800	131 ♦ 131	65 ♦ 65	89 ♦ 89	7921	7252
K-300-100	300	1453	1800	155 ♦ 155	65 ♦ 65	89 ♦ 89	9467	9113
K-300-150	300	1206	1800	155 ♦ 155	69 ♦ 65	89 ♦ 89	9600	8953
K-350-150	350	1402	1800	155 ♦ 155	69 ♦ 65	89 ♦ 89	9947	9453

AC ♦ WC – indicates 'AIR COOLED' and 'WATER COOLED' compressors.



NOTE: Models designed for operation at 175 and 200 psi available. Consult factory for details.

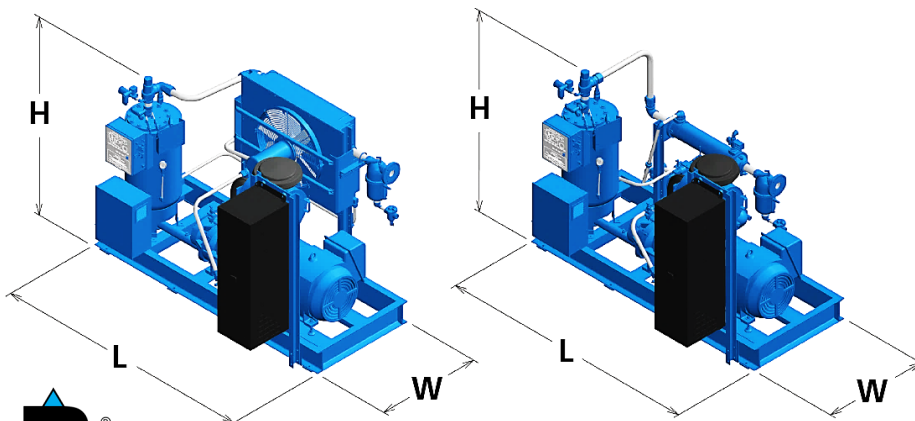


rogers-machinery.com

Air delivery in accordance with ISO-9300 and ISO-1217. All data subject to change without notice.
Allow at least 36 inches (92 cm) service clearance around assembly and 42 inches (107 cm) of clearance in front of electrical panels.

KV Performance Data and Dimensions

MODEL	MOTOR (HP)	FLOW ACFM (MAX - MIN)	NOMINAL MOTOR RPM	LENGTH (AC ♦ WC) (IN)	WIDTH (AC ♦ WC) (IN)	HEIGHT (AC ♦ WC) (IN)	NET WEIGHT (AC ♦ WC) (LBS)
KV-50-100	50	248 - 74	3600	89 ♦ 89	50 ♦ 50	58 ♦ 58	2751 ♦ 2903
KV-50-125	50	222 - 59	3600	89 ♦ 89	50 ♦ 50	58 ♦ 58	2526 ♦ 2490
KV-50-150	50	195 - 59	3600	89 ♦ 89	50 ♦ 50	58 ♦ 58	2526 ♦ 2490
KV-60-100	60	296 - 67	3600	89 ♦ 89	50 ♦ 50	60 ♦ 58	2751 ♦ 2506
KV-60-125	60	283 - 90	3600	89 ♦ 89	50 ♦ 50	60 ♦ 58	2918 ♦ 2506
KV-60-150	60	235 - 68	3600	89 ♦ 89	50 ♦ 50	60 ♦ 58	2909 ♦ 2498
KV-75-100	75	375 - 77	3600	101 ♦ 101	47 ♦ 47	62 ♦ 62	3339 ♦ 3166
KV-75-125	75	350 - 109	3600	101 ♦ 101	47 ♦ 47	62 ♦ 62	3339 ♦ 3166
KV-75-150	75	289 - 86	3600	101 ♦ 101	47 ♦ 47	62 ♦ 62	3339 ♦ 3166
KV-100-100	100	509 - 111	3600	96 ♦ 96	72 ♦ 68	66 ♦ 66	3855 ♦ 3576
KV-100-125	100	464 - 105	3600	96 ♦ 96	72 ♦ 68	66 ♦ 66	3855 ♦ 3576
KV-100-150	100	362 - 92	3600	101 ♦ 101	72 ♦ 68	66 ♦ 66	4224 ♦ 3946
KV-125-100	125	624 - 140	3600	116 ♦ 116	65 ♦ 65	73 ♦ 73	4880 ♦ 4089
KV-125-125	125	587 - 136	3600	116 ♦ 116	65 ♦ 65	73 ♦ 73	4880 ♦ 4089
KV-125-150	125	495 - 144	3600	116 ♦ 116	65 ♦ 65	73 ♦ 73	5056 ♦ 4459
KV-150-100	150	727 - 165	3600	116 ♦ 116	65 ♦ 65	73 ♦ 73	5218 ♦ 4620
KV-150-125	150	718 - 166	3600	116 ♦ 116	65 ♦ 65	74 ♦ 73	5218 ♦ 4620
KV-150-150	150	656 - 221	3600	116 ♦ 116	65 ♦ 65	74 ♦ 73	5332 ♦ 4735
KV-200-100	200	1030 - 238	3600	123 ♦ 123	68 ♦ 68	89 ♦ 89	6642 ♦ 5773
KV-200-125	200	960 - 228	3600	123 ♦ 123	68 ♦ 68	89 ♦ 89	6796 ♦ 5927
KV-200-150	200	756 - 200	3600	123 ♦ 123	68 ♦ 68	89 ♦ 89	6796 ♦ 5927
KV-250-100	250	1248 - 301	3600	126 ♦ 126	75 ♦ 75	89 ♦ 89	7358 ♦ 6863
KV-250-125	250	1171 - 290	3600	130 ♦ 130	75 ♦ 75	89 ♦ 89	7612 ♦ 7117
KV-250-150	250	965 - 318	3600	130 ♦ 130	75 ♦ 75	89 ♦ 89	7612 ♦ 7117
KV-300-100	300	1476 - 355	3600	130 ♦ 130	68 ♦ 68	101 ♦ 101	7555 ♦ 7059
KV-300-125	300	1312 - 344	3600	130 ♦ 130	68 ♦ 68	101 ♦ 101	7555 ♦ 7059
KV-300-150	300	1215 - 267	3600	130 ♦ 130	68 ♦ 68	101 ♦ 101	7555 ♦ 7059
KV-350-100	350	1604 - 480	3600	135 ♦ 135	67 ♦ 67	91 ♦ 90	8149 ♦ 7774
KV-350-125	350	1477 - 463	3600	135 ♦ 135	67 ♦ 67	91 ♦ 90	8360 ♦ 7985
KV-350-150	350	1447 - 337	3600	135 ♦ 135	67 ♦ 67	91 ♦ 90	8360 ♦ 7985



- All units can operate at their full capacity to 10 psi over the rated pressure.
- NOTE: Models designed for operation at 175 and 200 psi available. Consult factory for details.
- On 125 HP units and above, it is standard to ship the main motor VSD loose for field locating and installation.



rogers-machinery.com

Air delivery in accordance with ISO-9300 and ISO-1217. All data subject to change without notice.
Allow at least 36 inches (92 cm) service clearance around assembly and 42 inches (107 cm) of clearance in front of electrical panels.