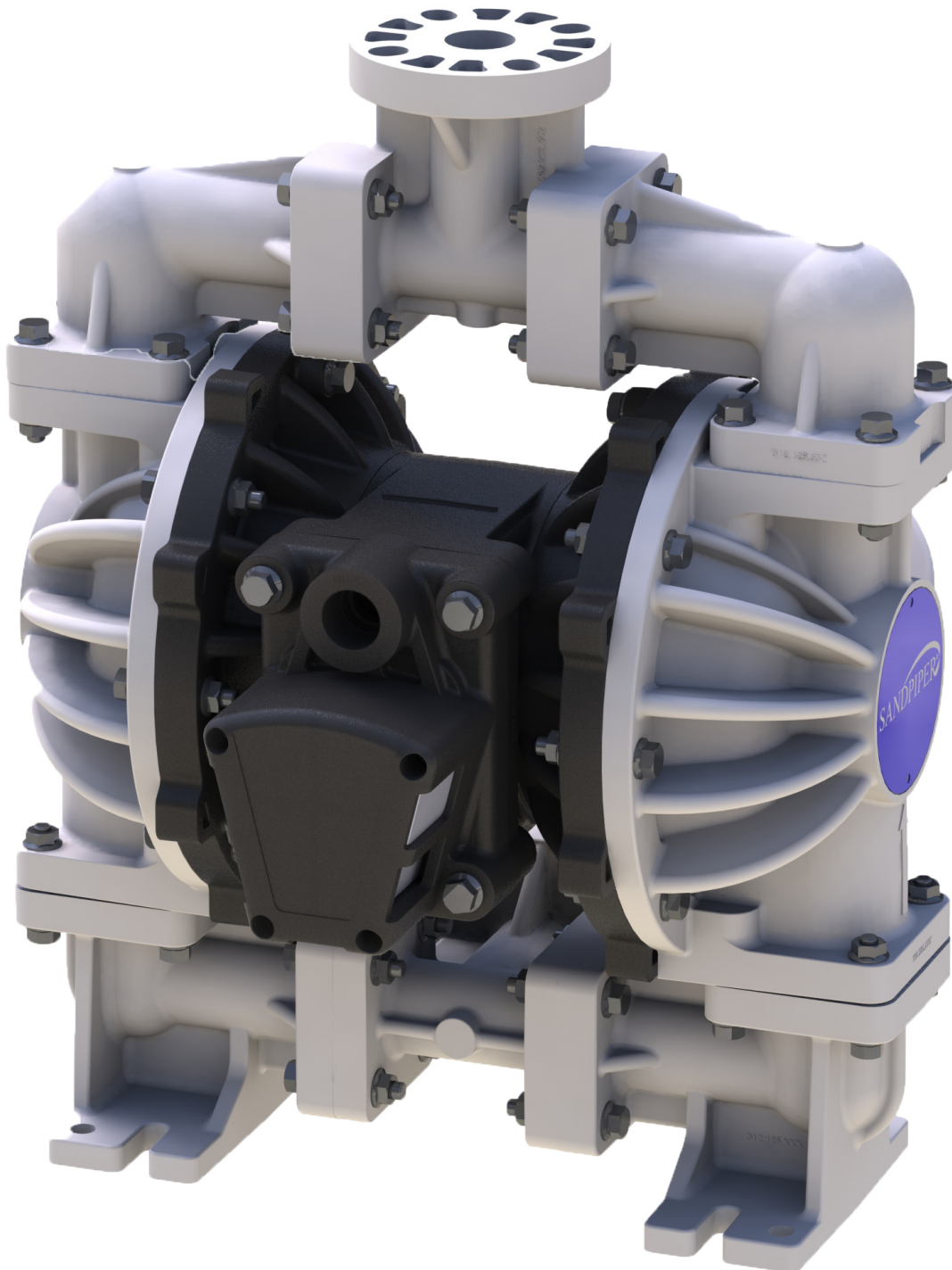


Introducing the all new...

EVOLUTION X™

1" Non-Metallic Pump Platform

SANDPIPER®



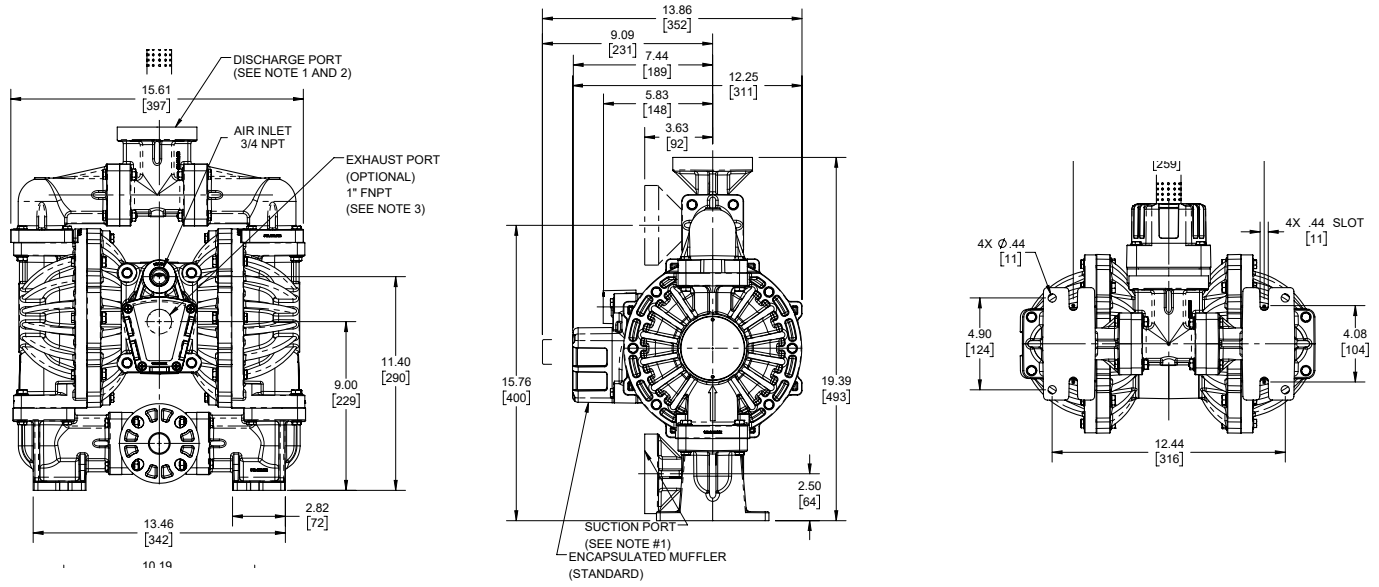
THE X FACTOR IN AODD PUMP CONVENIENCE, EFFICIENCY & VERSATILITY!

The industry's leading AODD pumps are evolving to perform better than ever. Introducing the SANDPIPER Evolution X. This innovative pump is designed to bring the X factor to AODD pump performance, delivering superior efficiency, increased versatility, and enhanced convenience.

DIMENSIONS

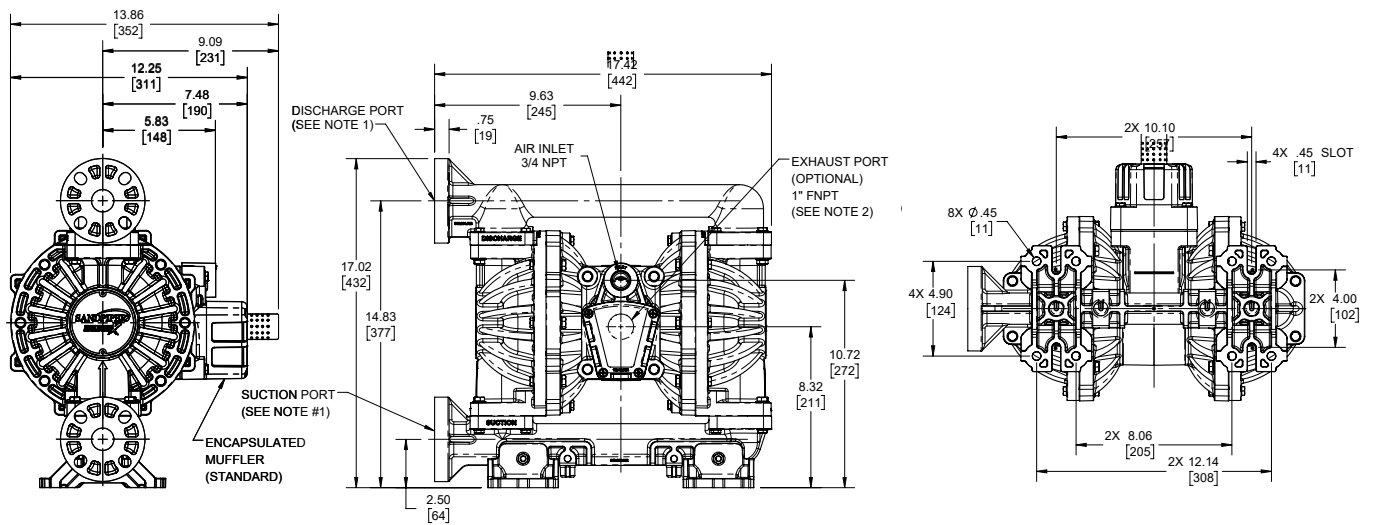
SPE10 Non-Metallic Center Ported Options

Dimensions in inches (metric dimensions in brackets). Dimensional Tolerance .125" (3mm).



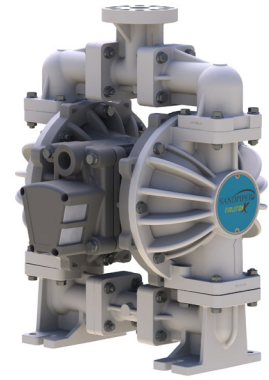
SPE10 Non-Metallic End Ported Option- Polypropylene Wet End Models ONLY

Dimensions in inches (metric dimensions in brackets). Dimensional Tolerance .125" (3mm).



OVERVIEW

- Class Leading Flow Rates - 63 GPM (238 lpm)
- Non-metallic corrosion resistant Wet Side and Air Side
- Low weight for ease of mobility (25lbs for Polypropylene model)
- Bolted Construction capable of 125 psi



Performance:

Flow Rate

Adjustable to 0-63 gpm (227 lpm)

Port Size - Suction / Discharge

. 1" ANSI/DIN Flange

Max Solid Size (Diameter)

. 0.25" (6 mm)

Air Inlet 3/4"NPT

Air Exhaust 1"NPT

Suction Lift 19'(5.8 m) Dry

. 31' (9.5 m) Wet

Weights

. Polypropylene 25 lbs. (11.3kg)

. PVDF 42 lbs. (19kg)

Key Applications:

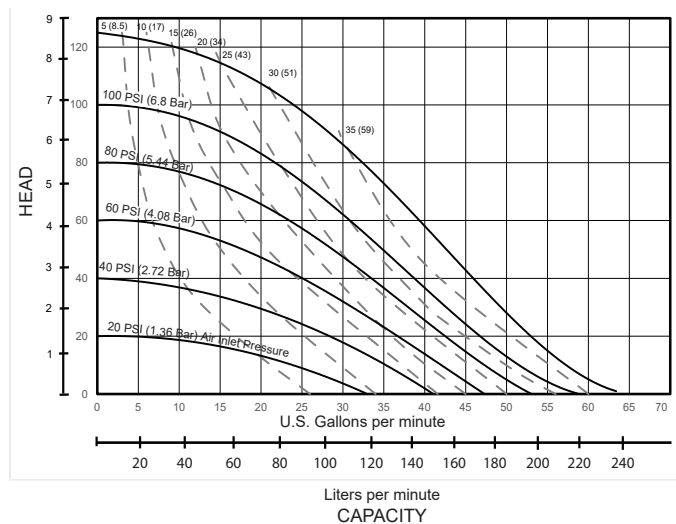
- Fluid Transfer
- Chemical processing

Superior Performance & Efficiency

Improve overall efficiency and safety during operation while decreasing operating costs due to:

- Lower energy use: Achieves an incredible 20% average increase in air efficiency throughout the entire curve over our prior model.
- High flow: The Evolution X has the greatest flow rate of any other 1" AODD pump.
- Enhanced Convenience
- Exponentially reduce AODD pump assembly and service time thanks to:
 - Reduced service time: Evolution X takes, on average, five minutes to service the air distribution system compared to 45 minutes on average for other AODD pumps.
- Serviceability: All of the wet side nuts and bolts are the same size & length and the use of washers have been eliminated. In fact, the Evolution X has 50% fewer number of fasteners than the previous model.
- Accessibility: You can access 95% of airside components by removing only four bolts revealing an easily removable cartridge style main air valve and pilot valve assembly.
- Improved stability for increased safety. We have added "stand-off feet" to the inner chambers to stabilize the pump on the workbench during disassembly.

EvolutionX Curve



Warren Rupp, Inc.
A Unit of IDEX Corporation
800 North Main Street
Mansfield, OH 44902 USA

Phone: 419.524.8388
Fax: 419.522.7867
SANDPIPERPUMP.COM



©Copyright 2020 Warren Rupp, Inc. All Rights Reserved.

Contact Your Local Distributor to Place Your Order: