



**PATRICK CAIN DESIGNS**

Made in Los Angeles

## OAKLAND

**SIZE:**

17" x 17" x 17"

17" x 17" x 18.5"

17" x 17" x 22"

17" x 17" x 23.5"

**COLOR:** Black, White, Grey, Black & White Cowhide, Chromatic Concrete

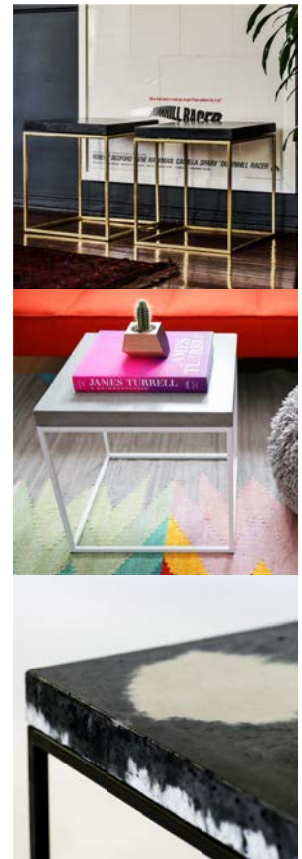
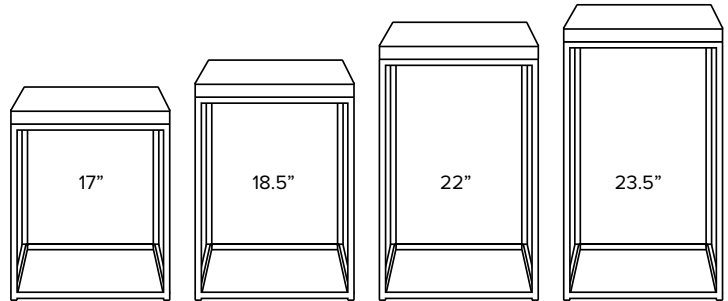
**BASE COLOR:** Black, White, Satin Brass

**BASE MATERIAL:** 1/2" Sq Steel Tube, 1/2" Sq Plated Steel Tube, 1/2" sq Aluminium Bar

**WEIGHT:** Approximately 20 - 35 lbs

**LEAD TIME:** Typically, 1 - 2 Days

Custom Sizes and Finishes Available





**PATRICK CAIN DESIGNS**

Made in Los Angeles

## OAKLAND (QUICK SHIP)

**SIZE:**

17" x 17" x 17"

17" x 17" x 22"

**COLOR:** Concrete Color

**BASE COLOR:** Black, White

**BASE MATERIAL:** 1/2" Sq Steel Tube

**WEIGHT:** Approximately 20 - 35 lbs

**LEAD TIME:** Quick Ship

**MINIMUM HELD QUANTITY:** 5 - 10

