

**OVERVIEW**

The push-button Dimming Series of wall stations are a cost-effective solution for commercial lighting applications. Additionally, all sPODMRA switches have a patent pending wiring method that enables them to function either with or without a neutral connection. sPODMRA units come preconfigured for wiring without a neutral, however, if a connection to neutral is required by code, contractors can convert the unit in seconds.

**FEATURES**

- Programmable without removing switch plate
- Compatible with 0-10V dimming
- Include Screwless Wall Plate: Available in WH, IV, GY, AL, BK, RD

**Buy American Act (BAA)**

This product is assembled in the USA and meets the Buy America(n) government procurement requirements under FAR, DFARS and DOT regulations. Please refer to [www.acuitybrands.com/buy-american](http://www.acuitybrands.com/buy-american) for additional information.

**Warranty**

Five-year limited warranty. This is the only warranty provided and no other statements in this specification sheet create any warranty of any kind. All other express and implied warranties are disclaimed. Complete warranty terms located at: [www.acuitybrands.com/support/warranty/terms-and-conditions](http://www.acuitybrands.com/support/warranty/terms-and-conditions)

**Note:** Actual performance may differ as a result of end-user environment and application. Specifications subject to change without notice.



*sPODMRA BAA Series  
Dimming Wall Switch*



**sPODMRA D  
On/Off/Dimming  
Single Relay**



ORDERING INFORMATION

spodmra BAA						Example: sPODMRA D WH BAA
Series <sup>2</sup>	eldoLED <sup>1</sup>	Dimming	Voltage	Color	Buy American Act <sup>2</sup>	
sPODMRA Switchpod	[blank] none EZ eldoLED Driver Compatibility	D Dimming	[blank] 120-277 VAC	WH White GY Gray IV Ivory	BAA	

**Notes:**

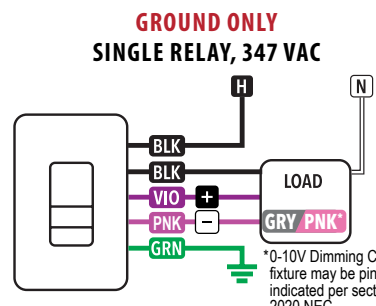
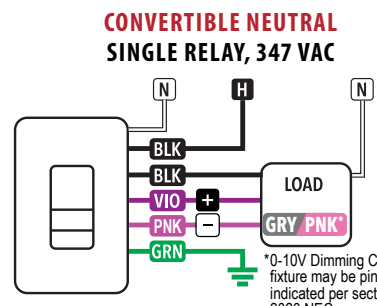
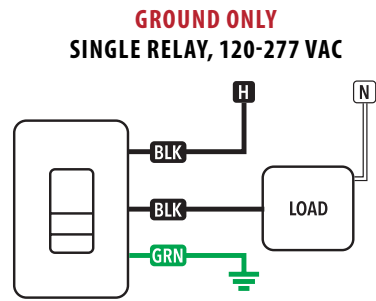
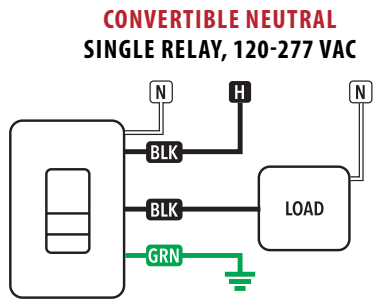
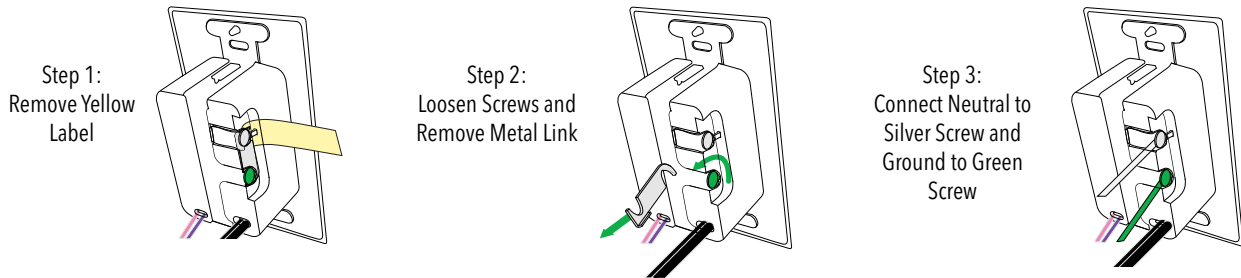
1. Max Dim Level default set to 9.1 VDC. Min Dim Level default set to 1.5 VDC.
2. BAA variants may experience extended Lead-Times

# SPECIFICATIONS

Electrical	<b>Input Ratings</b>	120-277VAC, 50/60 Hz
	<b>Output Ratings</b>	120VAC, 800W, 6.7A - Tungsten, Standard Ballast, Electronic Ballast 277VAC, 1200W, 4.3A - Tungsten, Standard Ballast, Electronic Ballast 120/277/347VAC, 1/4 HP - Motor
	<b>Relay Type</b>	Latching
	<b>Low Voltage Output Ratings</b>	0-10VDC, Sinks <50mA
	<b>Standards/ Ratings</b>	Energy Management Equipment, UL916 (E167435)
Mechanical	<b>Dimensions</b>	2.74"H x 1.68"W x 1.63"D (70mm x 43mm x 41mm) - does not include ground strap
	<b>Mounting</b>	Single-Gang Box
	<b>Connection Type</b>	Low-Voltage Leads, Line-Voltage Leads
Environmental	<b>Warrantied Operating Temperature</b>	32°F to 140°F (0°C to 60°C)
	<b>Relative Humidity</b>	Up to 90%, Non-Condensing
	<b>Standards/ Ratings</b>	RoHS

## CONVERSION FROM GROUND ONLY (NO NEUTRAL) TO NEUTRAL WIRING

This product is pre-configured for wiring without a neutral; however, if connection to neutral is required by code, the unit easily converts in seconds.



WIRE COLOR KEY	
120-277 VAC WIRING	
BLK	- Line Input
BLK	- Line Output
VIO	- Low Voltage Dim Output (0-10 VDC)
PNK <sup>1</sup>	- Low Voltage Common (0-10VDC)

Notes:  
1. Some Pink wires may come as Gray

- NOTES**
- Black wires can be used interchangeably
  - Violet and pink wires are not present on devices without D option
  - Cap off violet and pink wires if dimming functionality is not being used
  - Per NEC requirements, the 0-10V violet and pink wires must be installed as Class One.
  - The 0-10V control wires must not exceed 250 ft (76 m) in length and must be sized at no less than 20 AWG