



## Features:

- Constant Current output with multiple levels selectable by dip switch
- 0-10V and 1/10V Dimming Control
- Universal 100-277VAC Input
- Built-in active PFC function
- Efficiency up to 83%
- Protections: Short circuit/ Over load/ Over temperature
- Cooling by free air convection



## Models

### ELED-60-C600/2100V

## Output Specifications

Rated Current (mA)	2100	2000	1900	1800	1700	1600	1500	1400	1300	1200	1100	1000	900	800	700	600
Current Tolerance	± 5%															
Output Voltage (V)	3-29	3-30	3-32	3-33	3-35	3-38	3-40	3-43	3-46	3-50	3-55	3-60	3-65	3-65	3-65	3-65
Rated power (W)	60												58.5	52	45.5	39

## Input Specifications

Voltage Range	100-277VAC		
Frequency Range	47-63Hz		
Inrush Current	5.68A (Twidth=7.2µs 230VAC)		
Power Factor (Typ.)	PF≥0.97 @120VAC 60Hz;	PF≥0.92 @230VAC 50Hz;	PF≥0.88 @277VAC 60Hz
Full Load Efficiency (Typ.)	Full loading 82%@120VAC 60Hz;		83% @230VAC 50Hz; 85%@277VAC 60Hz
AC Current (Typ.)	0.75A		
Leakage Current	<0.50mA/220VAC		

## Protection

Short Circuit	Constant Current mode, recovers automatically after fault condition is removed
Over Load	≤120%
Over Current	≤1.4*I out
Protection Class	II

## Environment

Working Temperature	-40~+80°C (Refer to derating curve)
Working Humidity	20-90% RH, non-condensing
Storage Temperature, Humidity	-40~+80°C, 10-95% RH

## Environment

Temperature Coefficient	±0.03%/°C (0-50°C)
Vibration	10-500Hz, 2G 12min./ 1 cycle, period for 60min.each along X, Y, Z axes

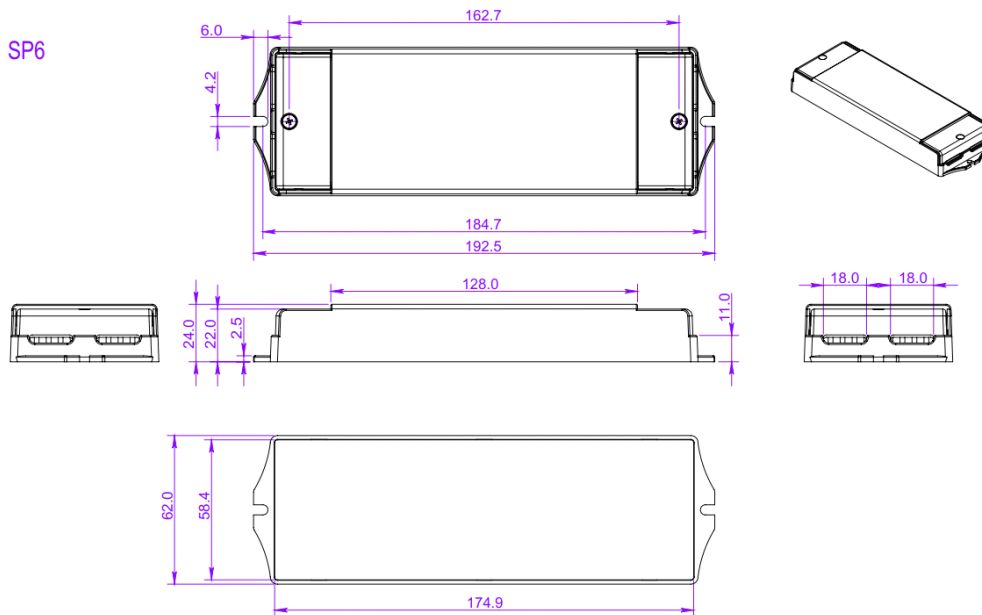
## Safety & EMC

Safety standards	EN61347-1, EN61347-2-13, UL8750
Withstand voltage	I/P-O/P:3.75KVAC
Isolation resistance	I/P-O/P:100MΩ/500VDC/25°C/70%RH
EMC Emission	Compliance to EN55015, EN61000-3-2,3 (≥50% load), FCC Part 15B
EMC Immunity	Compliance to EN61000-4-2,3,4,5,6,11, EN61547, A light industry level (surge 4kV)

## Other Specifications

Weight	0.30kg
Size	192.5x62x 24 mm
Packing	320 x 280 x 215 mm (50PCS/CTN)

## Mechanical Specifications



※Suggested wire diameter: Input 0.75-2mm<sup>2</sup>; Output:0.5-2mm<sup>2</sup>.

※Please make sure you connect these correctly otherwise your product will not function correctly and could be damaged.

※Note: Any other requests we can customized.