



HF-Regulator II for TL-D lamps

HF-R 158 TL-D EII 220-240V 50/60Hz

Flat, lightweight high-frequency electronic regulating ballast, using 1-10V protocol for TL-D fluorescent lamps

Product data

Operating and electrical	
Input Voltage	220 to 240 V
Line Frequency	50 to 60 Hz
Input frequency	50 to 60 Hz
Earth leakage current (max.)	0.5 mA
Inrush current width	0.25 ms
Inrush current peak (max.)	27 A
Number of products on MCB (16 A type B) (nom.)	28
Wiring	
Connector type input terminals	WAGO 251 universal connector [Suitable for both automatic wiring (ALF and ADS) and manual wiring]
Connector type output terminals	WAGO 251 universal connector [Suitable for both automatic wiring (ALF and ADS) and manual wiring]
Temperature	
Ambient temperature range	-20 °C to 50 °C

Controls and dimming	
Control interface	1-10V
Mechanical and housing	
Housing	L 360x30x21
Approval and application	
Ingress protection code	IP20 [Finger-protected]
Energy efficiency index	A1 BAT
Safety standard	IEC 61347-2-3
Environmental standard	ISO 14001
Approval marks	CE marking ENEC certificate VDE-EMV certificate

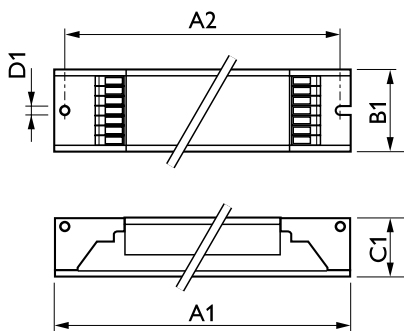
Product data	
Full EOC	871150091017230
Order product name	HF-R 158 TL-D EII 220-240V 50/60Hz
Order code	91017230
Local order code	HFR158TLDII
SAP numerator – quantity per pack	1
Numerator – packs per outer box	12
Material number (12NC)	913700609466

HF-Regulator II for TL-D lamps

Full product name HF-R 158 TL-D EII 220-240V 50/60Hz

EAN/UPC - Case 8711500910189

Dimensional drawing



Product	D1	C1	A1	A2	B1
HF-R 158 TL-D EII 220-240V 50/60Hz	4.2 mm	22 mm	360 mm	350 mm	30 mm

