



HF-Performer III for PL-T/C lamps

HF-P 1/218 PL-T/C III 220-240V 50/60Hz

HF-Performer III PL-T/C is a sustainable, slim and high-frequency electronic ballast for PL-T and PL-C fluorescent lamps. It is ideal for applications where high energy efficiency is required. The HF-Performer III range has a robust design, meets all relevant international safety and performance standards and is energy efficient (CELMA EEI A2).

Product data

Operating and electrical	
Input Voltage	220 to 240 V
Line Frequency	50 to 60 Hz
Input frequency	50 to 60 Hz
Inrush current width	0.250 ms
Inrush current peak (max.)	18 A
Number of products on MCB (16 A type B) (nom.)	28
Wiring	
Connector type input terminals	Insert
Connector type output terminals	Insert
Cable length from device to lamp	1 m
Temperature	
Ambient temperature range	-25 °C to 50 °C
T-case lifetime (nom.)	75 °C
T-Case maximum (max.)	75 °C

Mechanical and housing	
Housing	S 103x67x30
Approval and application	
Ingress protection code	IP20 [Finger-protected]
Energy efficiency index	A2 BAT
Safety standard	IEC 61347-2-3
Environmental standard	ISO 14001
Approval marks	CE marking ENEC certificate VDE-EMV certificate

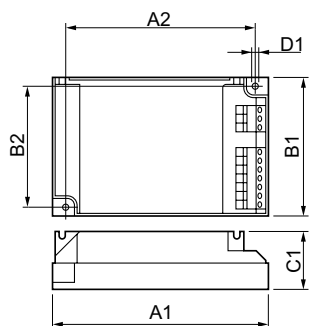
Product data	
Full EOC	872790083417800
Order product name	HF-P 1/218 PL-T/C III 220-240V
Order code	83417800
Local order code	HFP218PLTCIII
SAP numerator – quantity per pack	1
Numerator – packs per outer box	12
Material number (12NC)	913700648666
Full product name	HF-P 1/218 PL-T/C III 220-240V 50/60Hz

HF-Performer III for PL-T/C lamps

EAN/UPC - Case

8727900834178

Dimensional drawing



Product	D1	C1	A1	A2	B1	B2
HF-P 1/218 PL-T/C III 220-240V	4.2 mm	30.0 mm	103.8 mm	93.5 mm	67.8 mm	57.5 mm

