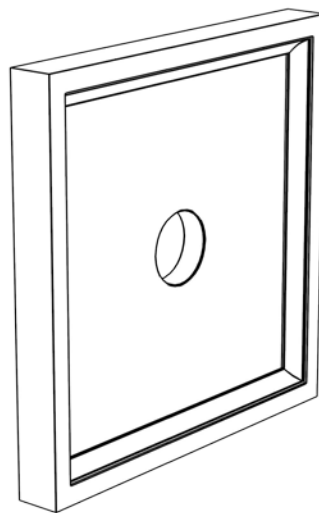
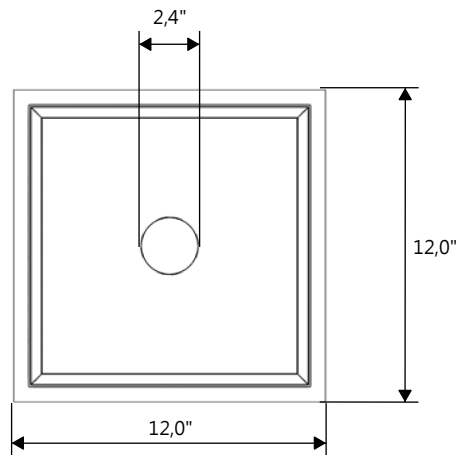


# GARDENSTONE

Redefining Outdoor Planters

Gardenstone Inc  
2851 Hwy 7, Concord ON, L4K 1W2  
1 800-209-0917  
sales@gardenstonemfg.com  
www.gardenstonemfg.com



CLASSIC PLAQUE

5010

WEIGHT: 11 LBS

NOTE: ALL INFORMATION ENCLOSED WAS CURRENT AT THE TIME OF DEVELOPMENT, BUT SHOULD BE REVIEWED BY THE PRODUCT MANUFACTURER TO BE CONSIDERED ACCURATE.