

# Navigator Training Whistle Service and Care Guide

[www.perfectmarc.com](http://www.perfectmarc.com)

## Congratulations! With NAVIGATOR, you're sure to turn heads.

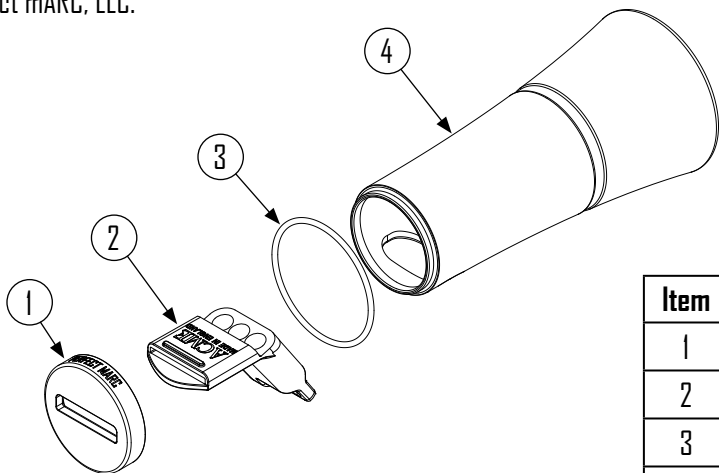
Thank you for trusting Perfect mARC to support you in achieving your retriever training objectives.

We're passionate about helping people, like you, who want to train retrievers with innovative products that reliably perform. That's why we set out to design a superior whistle and we're confident we have successfully developed a solution that will help you build a better dog.

Once again, thank you for your confidence in Perfect mARC. We look forward to helping you and your dogs TRAIN. TEST. TITLE.

Best Regards and Good Training,

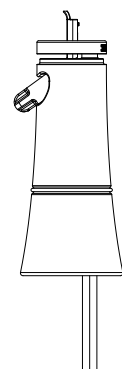
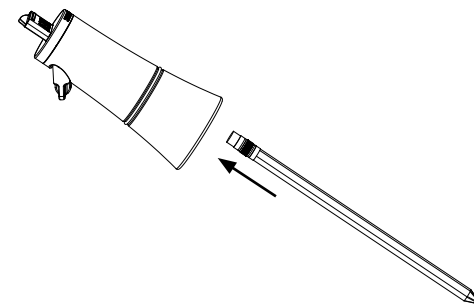
Troy T. Miller - Top Dog  
Perfect mARC, LLC.



Item	Description
1	Cap
2	Whistle
3	Grip Ring
4	Horn

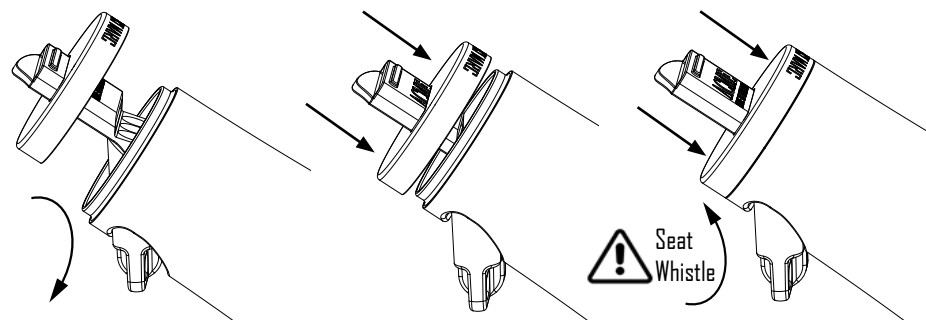


1. To disassemble your whistle, use a pencil or dowel to dislodge the cap by inserting the end into the whistle assembly.
2. Be sure the pencil makes contact with the inside of the Cap (Item 1) and is NOT pressed on the Whistle (Item 2).



3. With the pencil inserted, tightly grasp the whistle assembly near the top and tap the pencil on a solid surface to dislodge the press fit Cap from the Horn (Item 4).
4. When the Cap is free, remove it and the Whistle from the Horn. The Grip Ring (Item 3) is easily removed on the small diameter side of the Horn if required.
5. Slide the Cap off the Whistle to complete the disassembly.

1. Reassemble grip ring and then slide Cap onto end of Whistle (as shown) and position the assembly into Horn such that the mouth piece is centered in the end of the Horn.
2. While holding the Whistle in position, slide the Cap down the Whistle onto Horn lip and press firmly until the Cap is seated flush and completely over the lip of the Horn.
3. If the Whistle has any free movement, seat the Whistle by firmly pressing the closed end of the whistle back up into the assembly while holding the Cap tight to the horn.



# Maintenance

Properly maintaining the Perfect mARC Navigator whistle will ensure your training experience is worry free, at least from this piece of equipment. Even though this product is designed to withstand conditions in the field, it should be periodically cleaned to ensure its function is reliable.

Consider the following guidelines to maintain your whistle's performance.

- Clean with warm soapy water. DO NOT clean acrylic parts with alcohol (methyl, ethyl, isopropanol, or acetone).
- Keep parts free of dirt and debris when possible.
- Inspect for damage prior to every use.
- Don't attempt to operate the whistle with damaged or broken components.



Need a hey, hey, hey?  
470.297.8788

Visit Us  
[www.perfectmarc.com](http://www.perfectmarc.com)

Follow Us

