

NAVIGATOR TRAINING WHISTLE

Specifications



OVERVIEW

The Navigator retriever training whistle by Perfect mARC is designed to turn heads. Crafted from high quality materials, Navigator is built to last. Whether you chose anodized aluminum or high density acrylic, this training whistle is truly unique.

Designed for performance, the Navigator housing amplifies a genuine ACME Tornado whistle ensuring your dog will be able to hear the audible blast through high winds, lunging water and field trial distances. The reliable pea-less design of this whistle guarantees it won't freeze up or stick on an icy hunt.

Care and cleaning has never been easier. With the ability to disassemble and clean the precision fit components you'll be able to keep your Navigator retriever training whistle at peak performance.

It's time to level up to a whistle worthy of your dogs.

FEATURES AND BENEFITS



Rugged Materials

Precision machined aluminum body and whistle cap

Grip Ring

Repeatable grip locator allowing you to keep your eyes on the dog

Durable Finishes with Style

Anodized aluminum with a subtle texture that feels as good as it looks

Disassembles for Cleanability

Take it apart to clean and maintain peak performance

Performance Whistle

Genuine ACME 635 Tornado with engineered amplifying directional horn

NAVIGATOR TRAINING WHISTLE

Specifications



GENERAL SPECIFICATIONS

ACME 635 Tornado Whistle

- Pea-less
- 120 dBA rating

Material Specifications

- 6061 Aluminum - Cap / Body
- Rubber - Grip Ring
- ABS - ACME Whistle

Mass Specifications

- PMMA = 1.7 oz
- Aluminum = 3.2 oz

Color/Finish Specifications

- Process - Polished / Media Blasted / Anodized
- Finish/Color - Gun Metal / Orange / Green

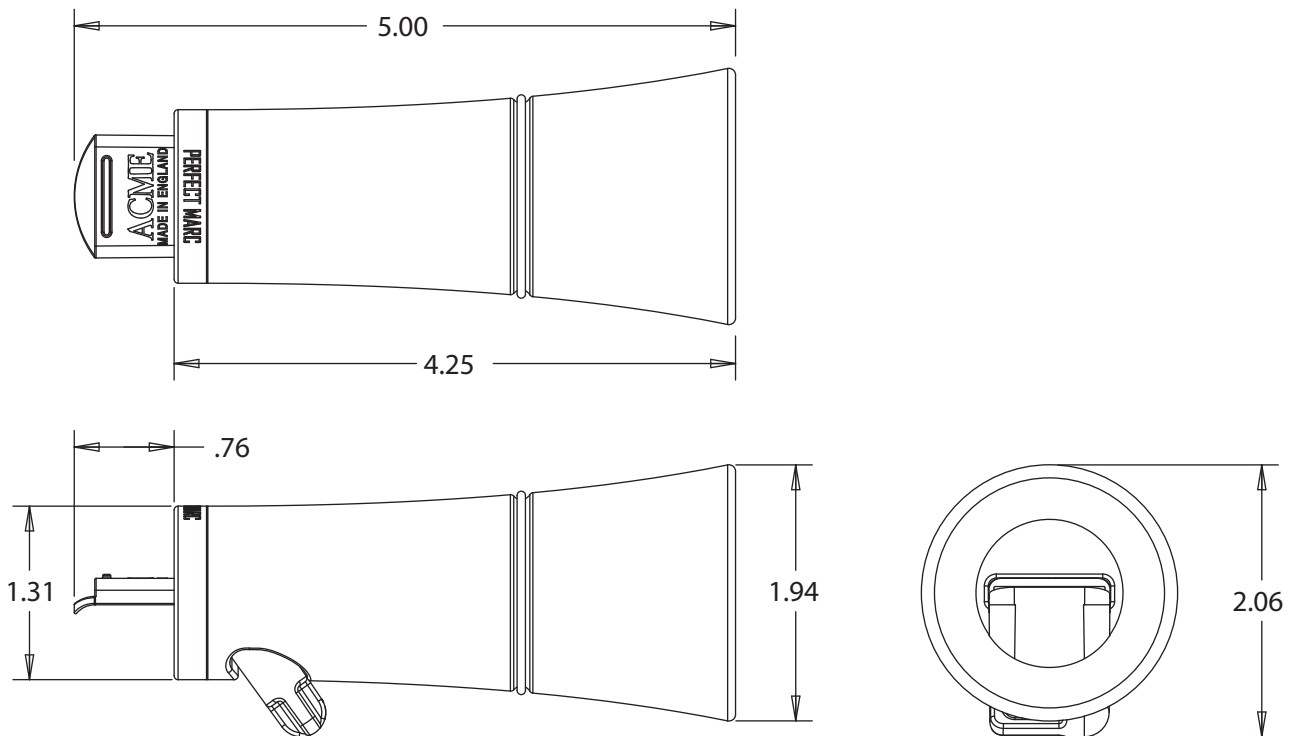
Design Features

- Disassembles for service / cleaning / customization
- Engineered horn design

Warranty

- 1-year limited warranty
- [Full warranty details online](#)

DIMENSIONAL SPECIFICATIONS



Dimensions in inches