

# Remote Throwing System Use and Care Guide

[www.perfectmarc.com](http://www.perfectmarc.com)

### **You've completed the assembly of your launcher and it's time to start training.**

Thank you for trusting Perfect mARC to support you in achieving your retriever training objectives.

We're passionate about helping people, like you, who want to train retrievers with innovative products that reliably perform. That's why we set out to design a superior throwing system and we're confident we have successfully developed a solution that will help you build a better dog.

After reading this manual you'll be able to safely set-up, load, launch and teardown your Remote Throwing System. You'll also be aware of required maintenance and care to keep your launcher reliable and performing great throughout the season.

At Perfect mARC we value your safety, so please heed all warnings addressed in this manual and be sure to follow maintenance guidelines. Failure to follow the safety guidelines can result in serious injury. It is essential that you read and comprehend all documentation prior to use.

Once again, thank you for your confidence in the Perfect mARC Remote Throwing System. We look forward to helping you and your dogs TRAIN. TEST. TITLE.

Best Regards and Good Training,

Troy T. Miller - Top Dog  
Perfect mARC, LLC.



### **Safety First**

- Read this manual before operating.
- If you have questions call us at 470.297.8788



### **What you'll learn by reading further**

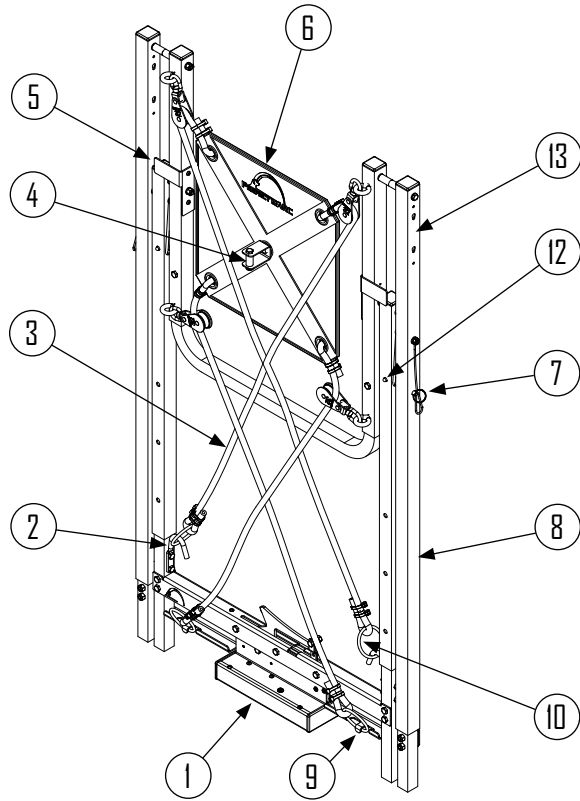
- Product Overview
- Set Up - Loading - Launching - Teardown
- Maintenance and Care
- Tips and Tricks
- Warranty



### **Scan the Quick Response (QR) code for help**

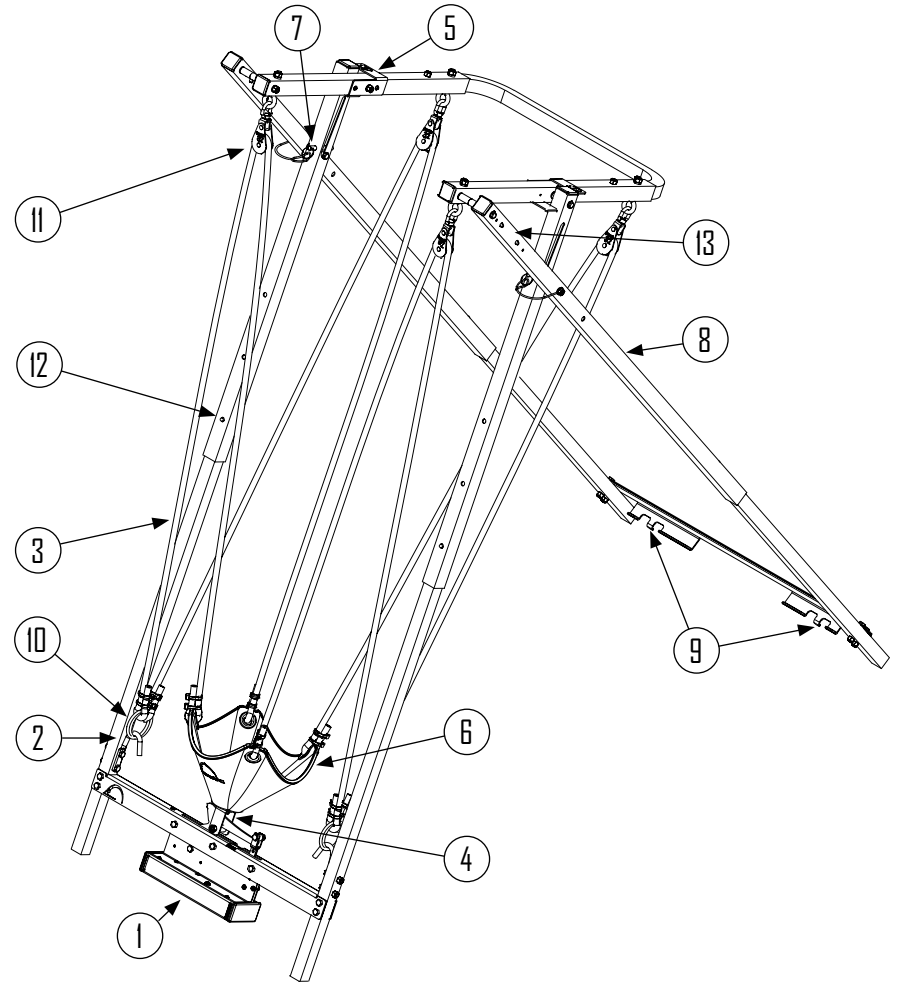
These instructions are supplemented by videos. Simply use your mobile device to read the QR code at any step to see the corresponding YouTube video. You can also view the videos at [www.perfectmarc.com](http://www.perfectmarc.com)

# Launcher Overview - Folded

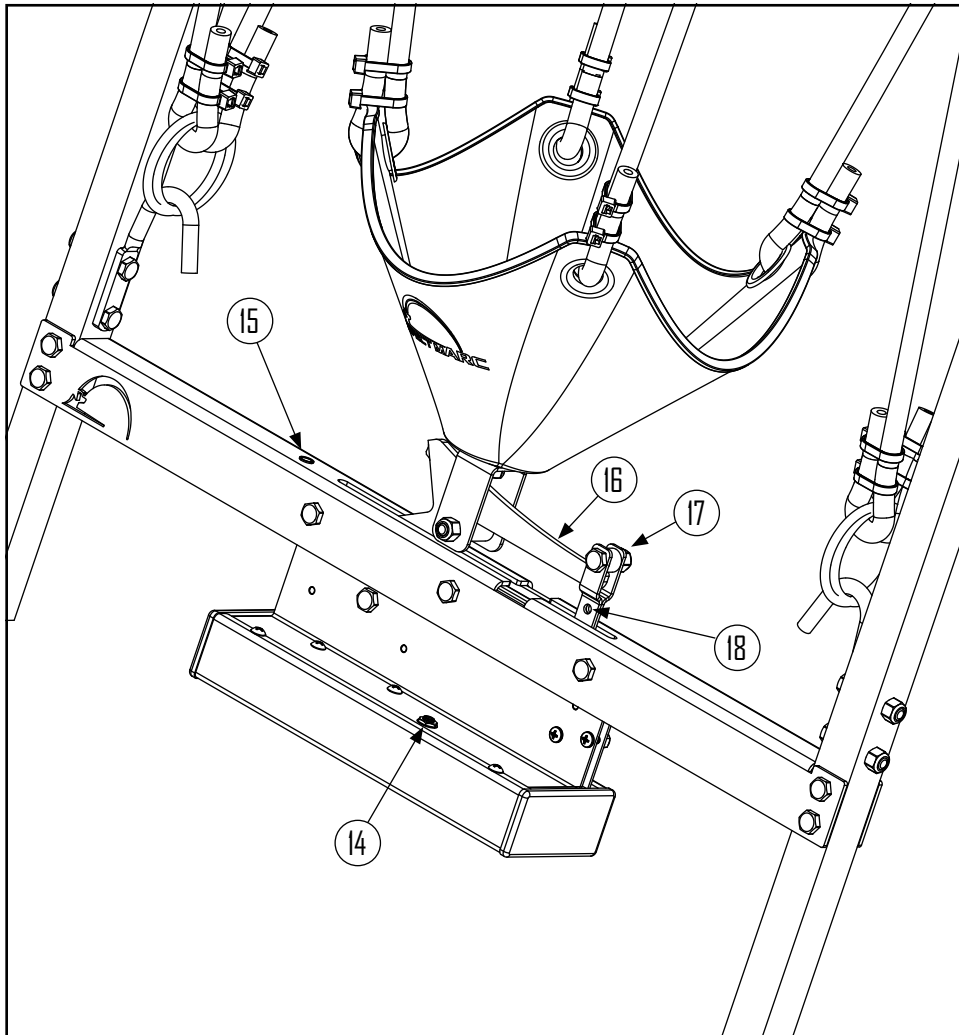


Item	Description
1	Trigger Assembly
2	Anchor Hook
3	Elastic Tubing
4	Roller Release Assembly
5	Limiter Bracket
6	Pouch Assembly
7	Quick Release Pin

# Launcher Overview- Extended



Item	Description
8	Leg Assembly
9	CrossKeeper Ring Tabs
10	Ring
11	Pulley
12	Spring Button
13	Electronics Mounting Hole Location



Item	Description
14	External Cable Port - Remote Release
15	209 Primer Hole
16	Trigger Arm
17	Roller Yoke Assembly
18	Lanyard Hole



**WARNING:** Failure to operate this device according to safety guidelines could result in severe bodily injury.

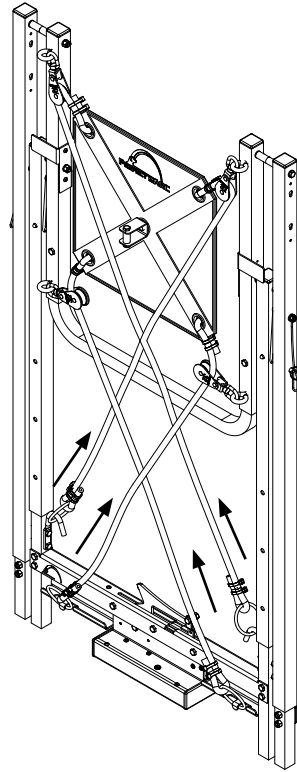
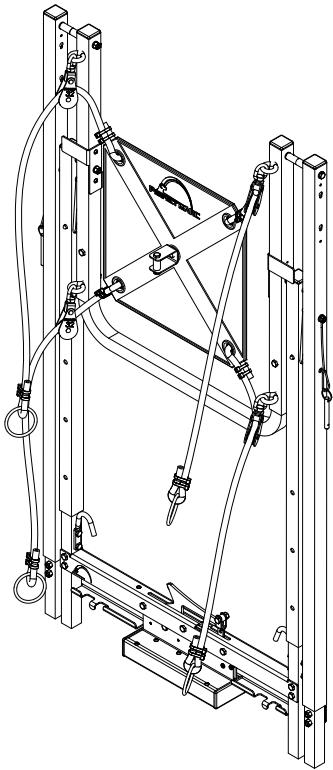
1. Do not operate the launcher unless you have read this manual.
2. Do not allow children to operate the launcher.
3. This is not a toy and should not be treated as such.
4. Do not operate the launcher if it has not been properly maintained (see the maintenance schedule for details).
5. Follow the sequence in these instructions on how to load.
6. Do not put any part of your body in the launch path of the pouch or projectile during or after the loading process.
7. Do not attempt to push the pouch down to the trigger while the elastics are hooked.
8. Wear personal protective equipment when operating. Using eye and hearing protection is recommended.
9. Do not launch objects other than retriever training bumpers and birds.
10. Do not operate this device after the beer dog has run, i.e. do not operate under the influence.



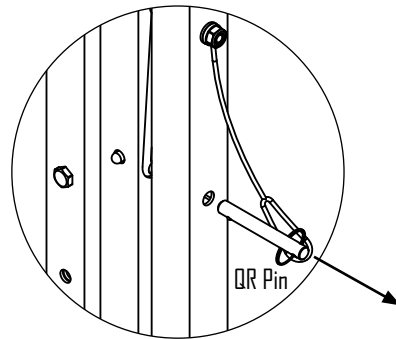
# Set-Up Unhook and Unfold



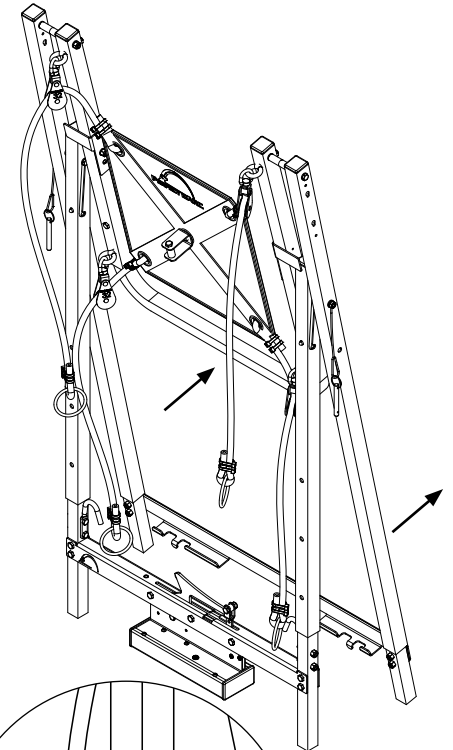
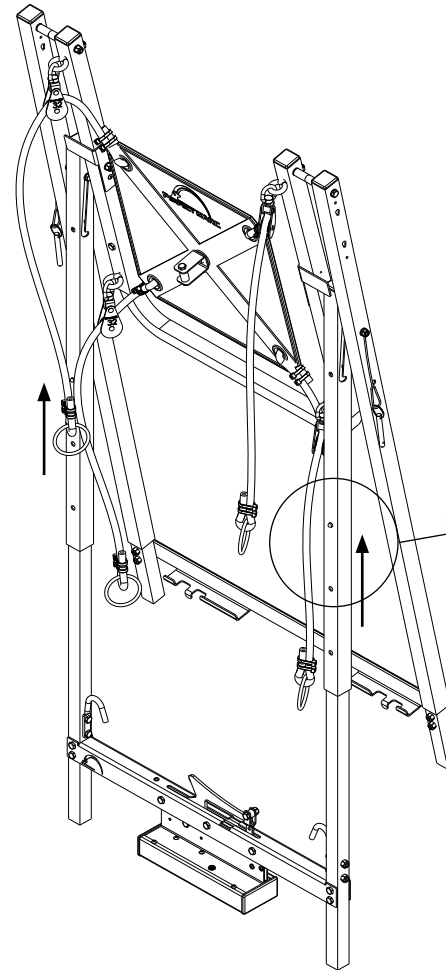
1. Stand the launcher upright and position yourself so that the wider side of the Trigger Assembly (Item 1) and the logo on the pouch are both facing you.
2. Unhook all four (4) Rings (Item 10), freeing the elastics from the Anchor Hooks (Item 2) and CrossKeeper Ring Tabs (Item 9).



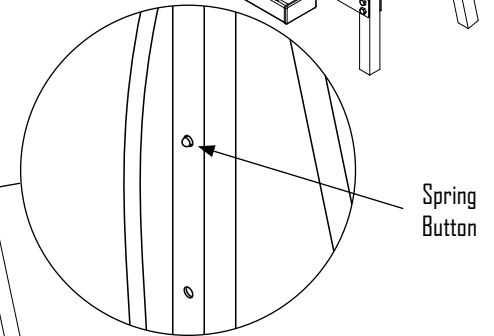
3. Disengage the two (2) QR Quick Release Pins (Item 7).



3. With both hands on the top of the outer legs, simultaneously unfold the legs slightly. The assembly will NOT unfold completely with the throwing column retracted to the storage position.



4. Positioned facing the trigger assembly, extend the throwing columns by simultaneously pressing the (2) Spring Buttons (Item 12) and lifting the assembly until the buttons spring out of the next hole position.

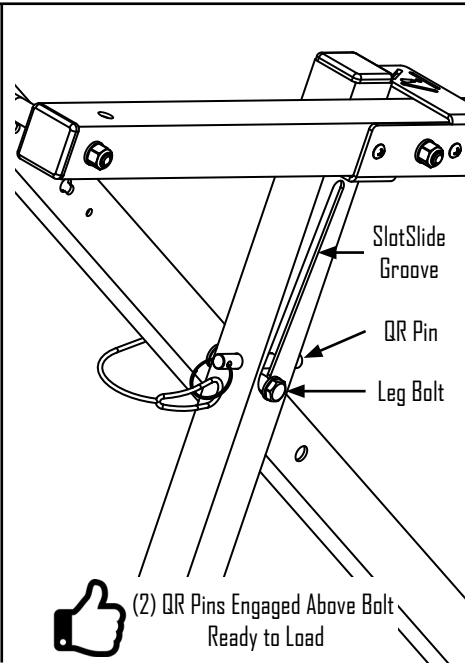
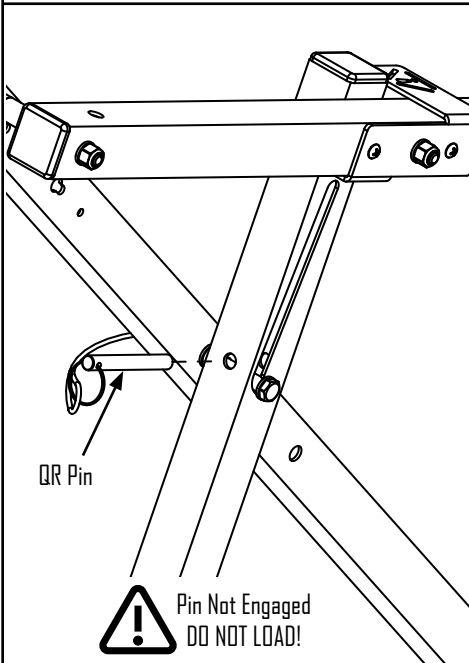
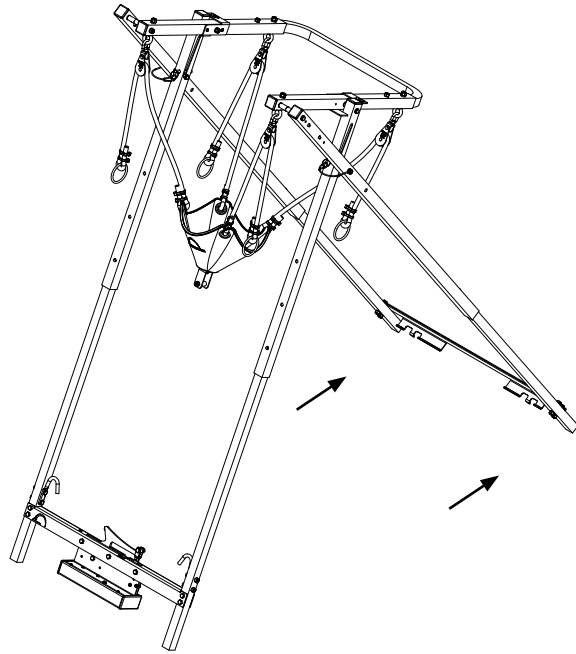




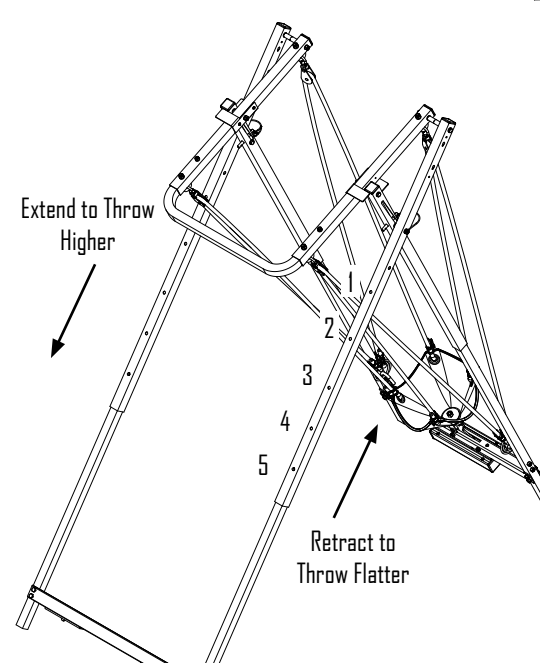
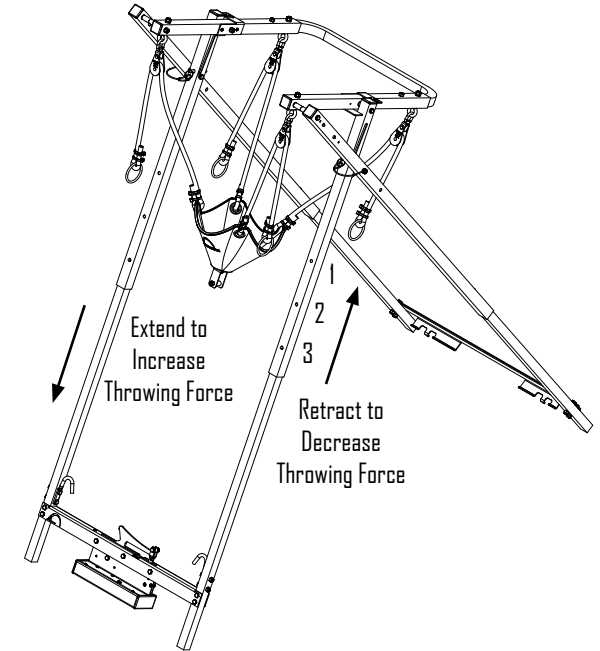
# Set-Up Lock and Extend



5. With both hands on the top of the outer legs, simultaneously unfold until the legs slide forward and stop. The leg bolts will slide to the end of the SlotSlide groove in the frame and cease movement.
6. Insert (2) QR pins (Item 7) through the column frame holes above the leg bolt seated in the SlotSlide groove.



7. Extend the throwing columns to one of the three spring button positions to set the throwing force. Extend the columns longer to increase the throwing force and throw farther. Retract the columns to decrease the throwing force for a shorter throw.



8. Next extend the legs to one of the five spring button positions to set the arc of the throw. By retracting and extending the telescoping throwing column and leg positions you can modify the set-up to throw a perfect mark every time. Always set the throw and trajectory before loading.

# Set-Up Throw and Trajectory Settings



Leg Position

①  
Worm Burner

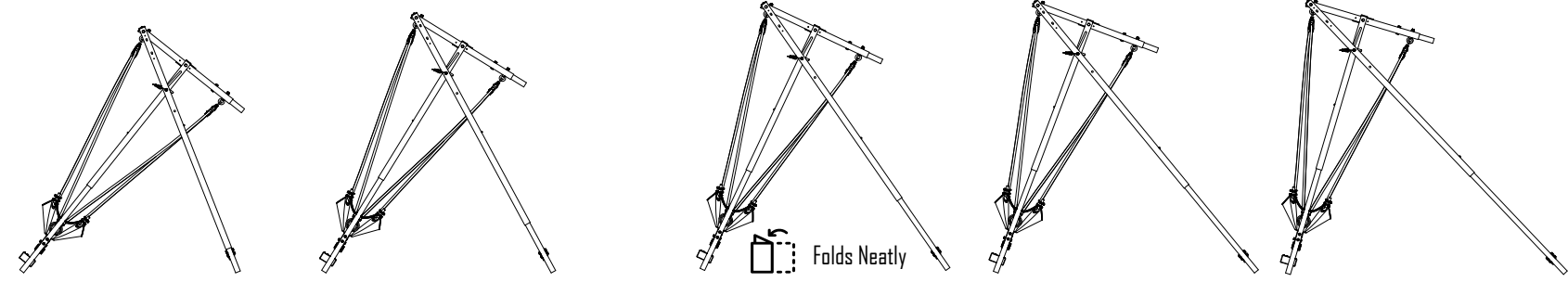
②

③

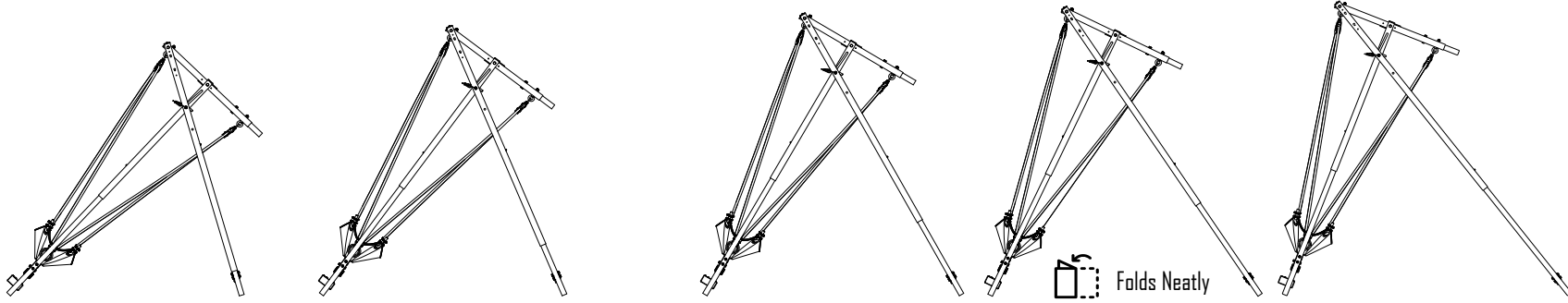
④

⑤  
Moon Raker

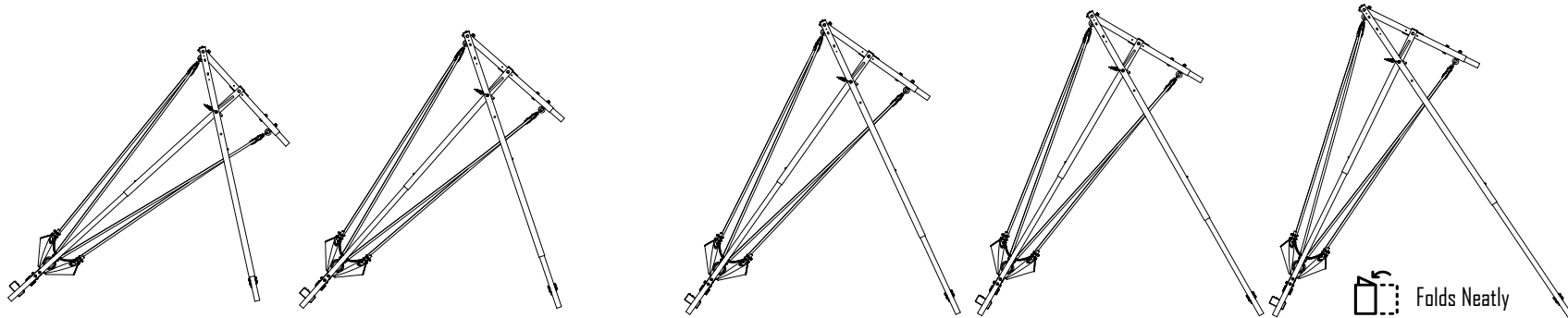
①  
Eeeasy  
Throw



②  
Normal  
Throw



③  
Monster  
Throw

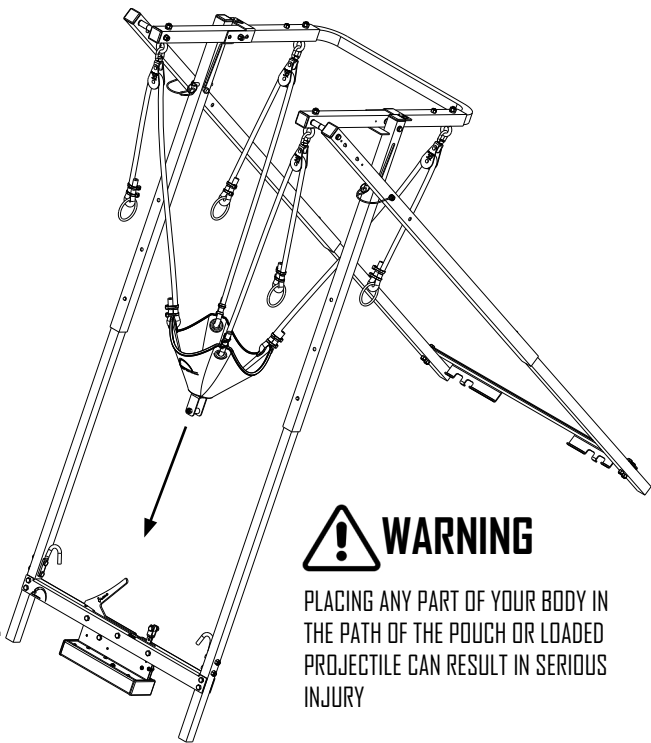


Throwing Position



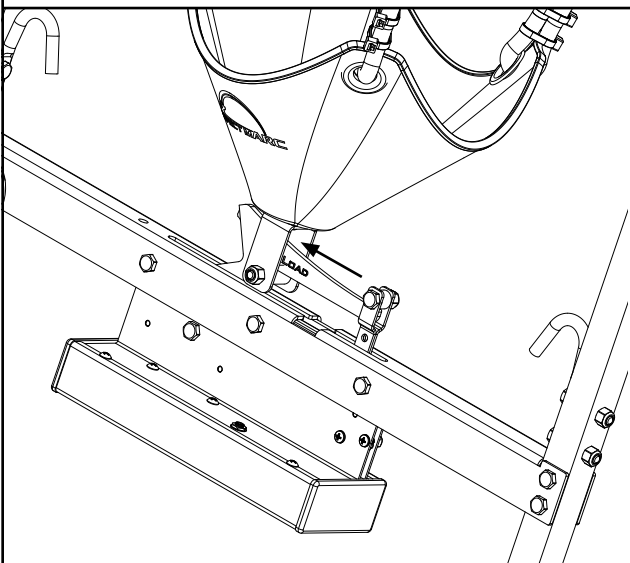
# Loading - Latching the Pouch

1. With the launcher throw length and leg position set, QR Pins (Item 7) inserted and all Rings (Item 10) unhooked, open the Trigger Arm (Item 16) and push the Pouch Assembly (Item 6) down far enough to rotate the Trigger Arm through the Roller Release Assembly (Item 4) latching the Trigger Arm under the Roller Yoke Assembly (Item 17).



**! WARNING**

PLACING ANY PART OF YOUR BODY IN THE PATH OF THE POUCH OR LOADED PROJECTILE CAN RESULT IN SERIOUS INJURY



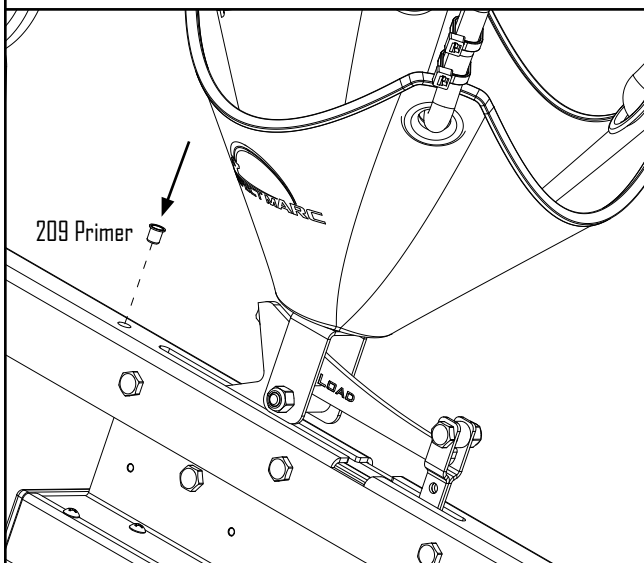
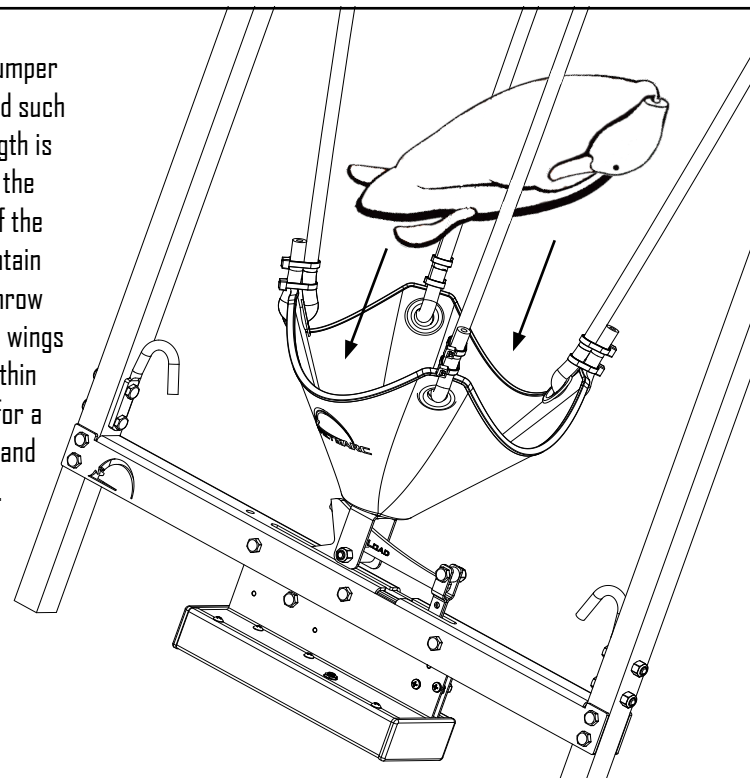
2. To ensure a consistent and reliable throw, position the Roller Release Assembly (Item 4) such that it is farthest left of the Roller Yoke Assembly (Item 17) and in-line with the LOAD arrow on the Trigger Arm (Item 16).



# Loading - Bird/Primer



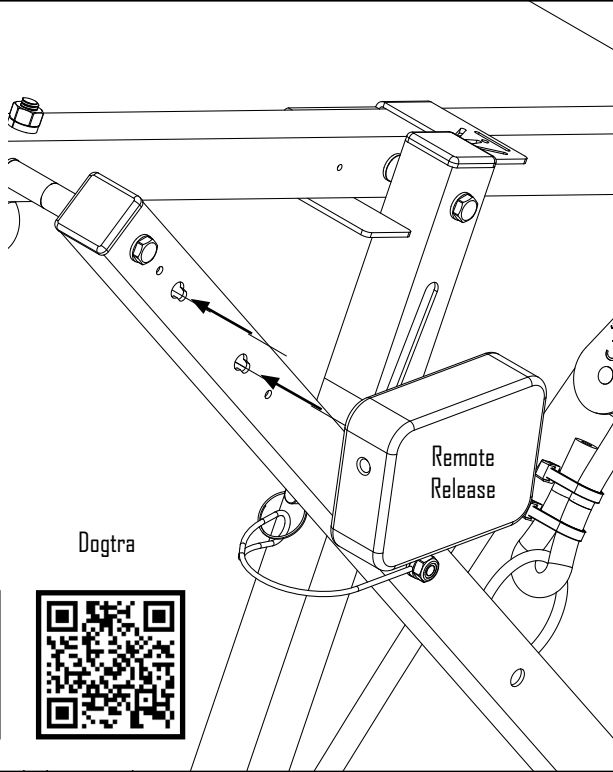
3. Load the bumper or dead bird such that its length is in line with the direction of the throw. Contain all parts; throw rope, head, wings and feet within the pouch for a consistent and safe throw.



4. If a report is desired upon launch, insert a 209 primer into the brace hole. The Trigger Arm (Item 16) pin will strike the primer when released, creating a simulated gun shot.



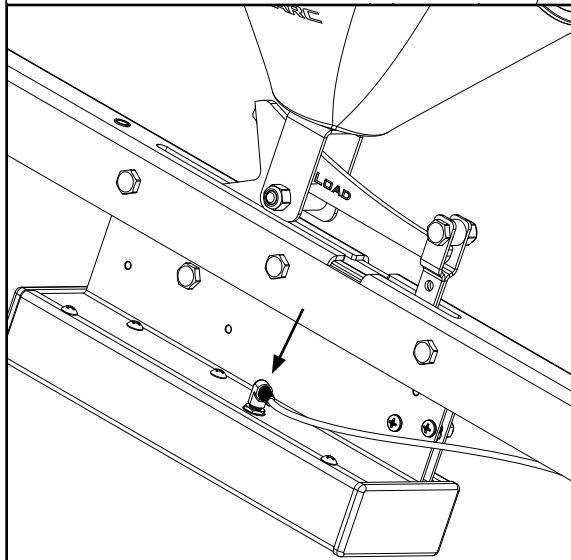
1. Attach remote electronics (sold separately) using the integrated mounting holes pre-cut into the outer leg tubing. For more details on mounting electronic remote releases visit [perfectmarc.com](http://perfectmarc.com)



Garmin

SportDog

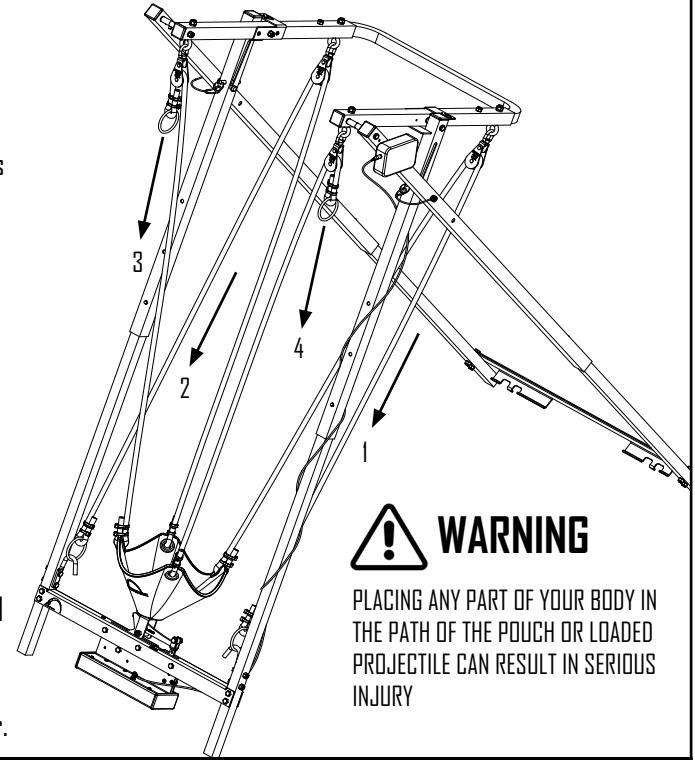
Dogtra



3. Plug one end of the 3.5mm cable into the remote release output port and the other end into the External Cable Port (Item 14). Wrap the cable around the leg to keep it from interfering with the elastics. Be sure to feed the cable under the trigger brace to avoid trigger interference.

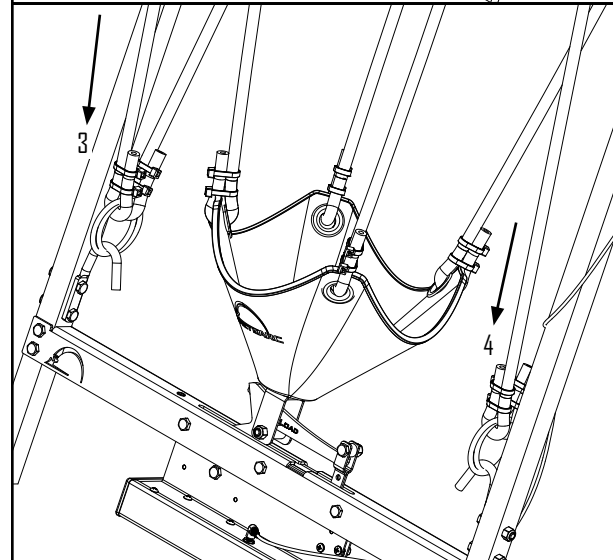


1. Load each of the four elastics individually by hooking the Rings (Item 10) to the Anchor Hooks (Item 2) on the corresponding side starting with front Rings labeled 1 and 2.
2. Next hook the rear Rings 3 and 4.



## WARNING

PLACING ANY PART OF YOUR BODY IN THE PATH OF THE POUCH OR LOADED PROJECTILE CAN RESULT IN SERIOUS INJURY

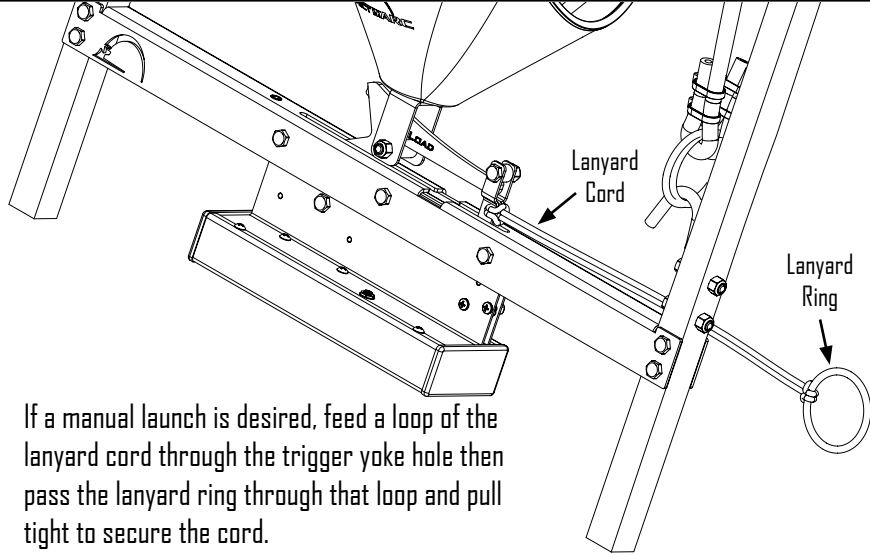


3. After all four (4) Rings (Item 10) are hooked, the launcher is armed and can be activated remotely. Launch away!



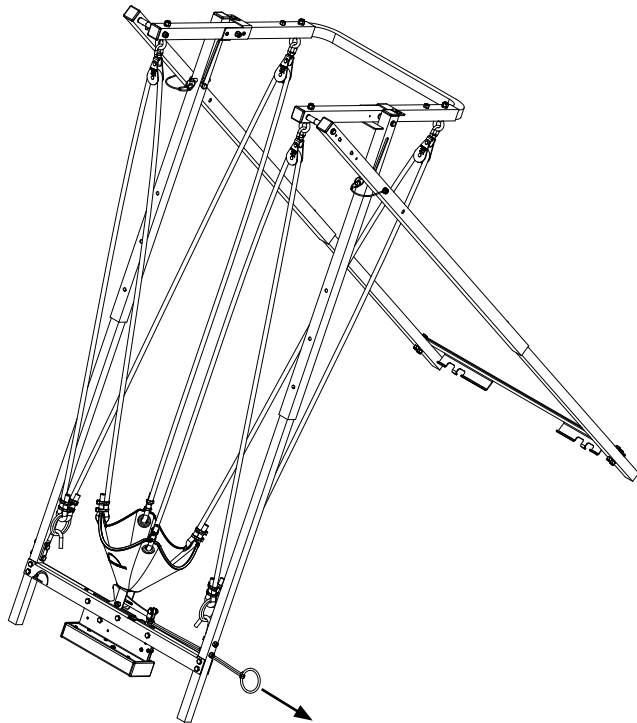


## Manual Launch



- If a manual launch is desired, feed a loop of the lanyard cord through the trigger yoke hole then pass the lanyard ring through that loop and pull tight to secure the cord.

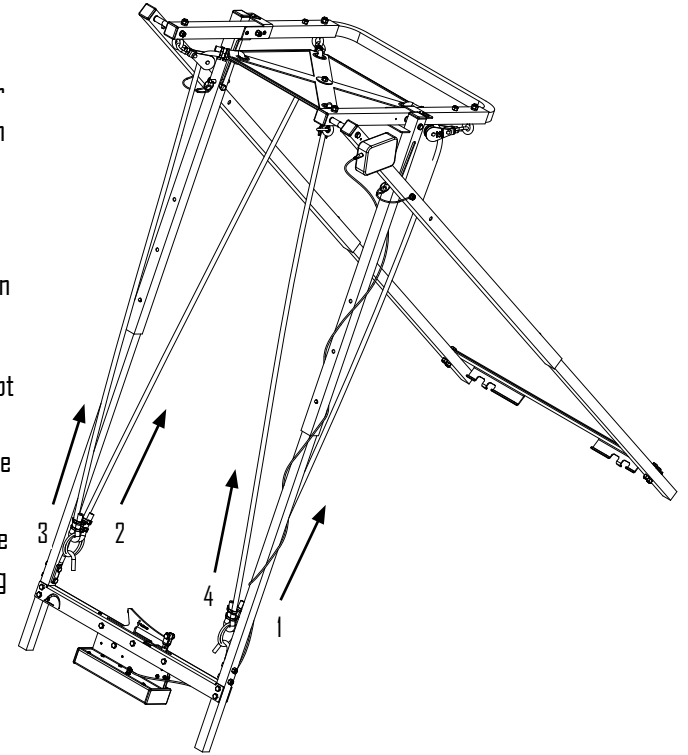
1. To launch manually, load the launcher as instructed in the previous steps.
2. While keeping all body parts clear of the pouch and projectile path, grip the ring and pull the lanyard in the direction shown. Brace the base of the column if the frame shifts while pulling.



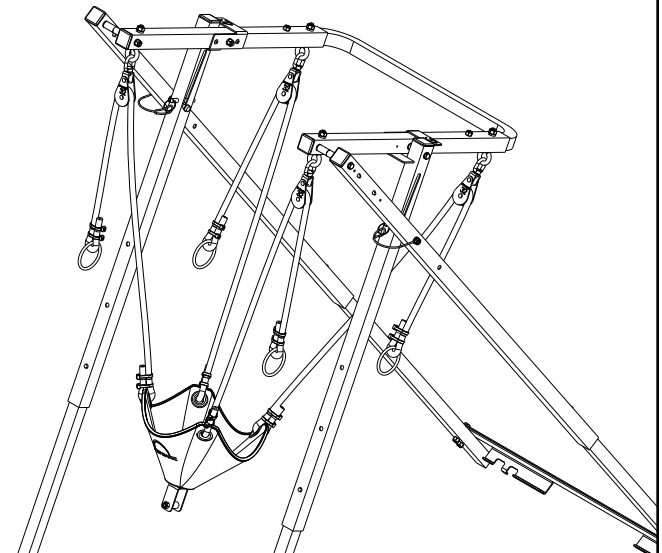
## Post Launch - Unhook



1. After launch, unhook all four (4) Rings (Item 10) from the Anchor Hooks (Item 2) to release tension on the Pouch.
  - DO NOT attempt to reload the pouch while the elastics are hooked. You're not that strong and you could hurt yourself.



- To reload the launcher, restart at Step 1. Loading - Latching the Pouch.
- To pack up, go to the Retract and Fold Assembly section.

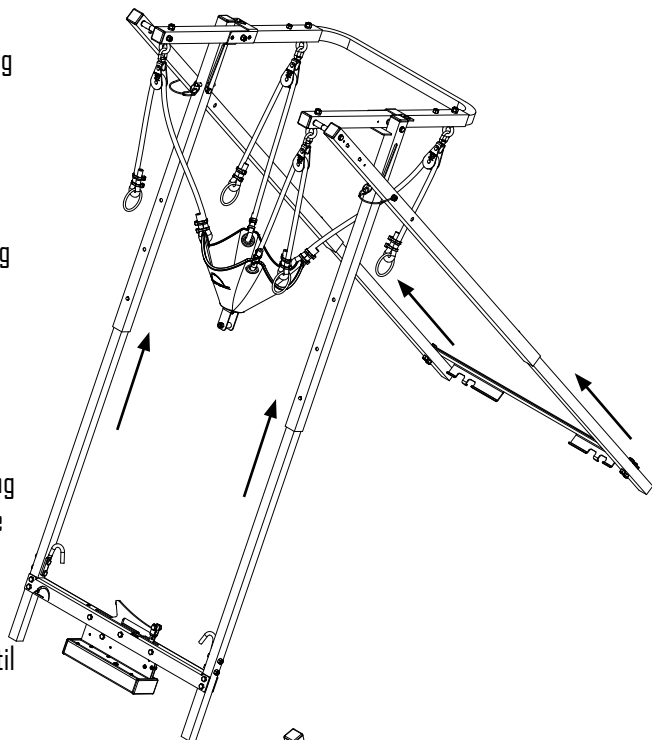




# Retract and Fold Assembly

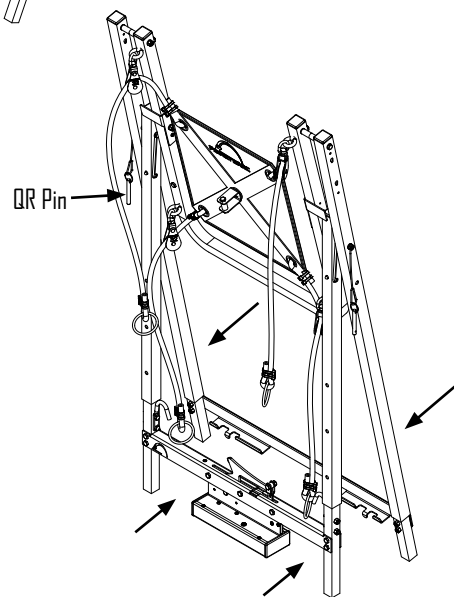


1. Retract the throwing column legs by simultaneously pressing in the Spring Buttons (Item 12) and moving the legs up into the frame until the Spring Buttons move past the third set of holes. When folded flat the Spring Buttons will emerge from the quick release pin holes.



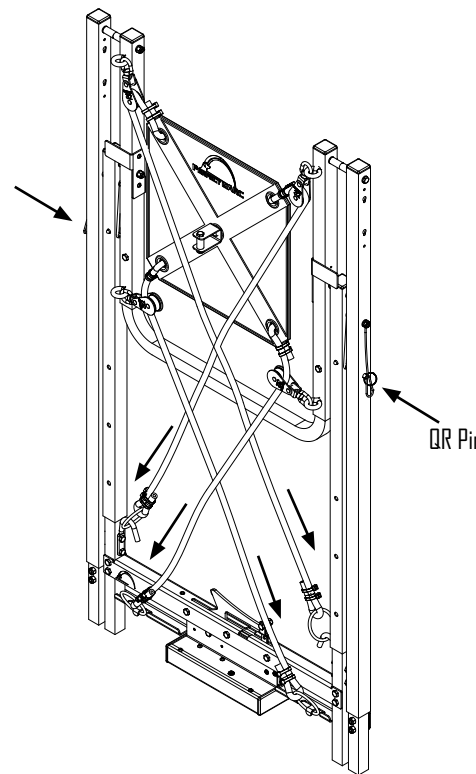
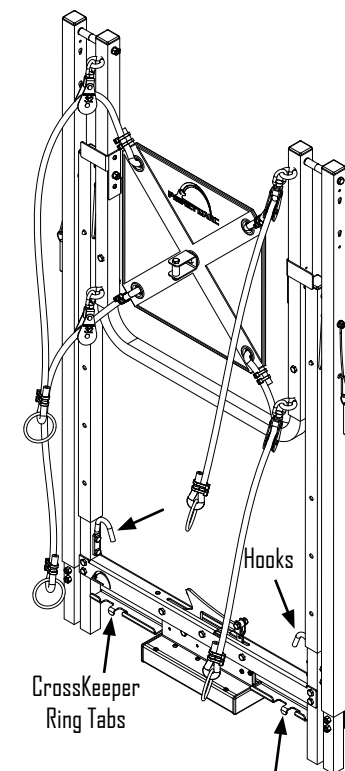
2. Retract the legs until the Spring Buttons emerge from the upper most holes.

3. Disengage the (2) QR Pins (Item 7).



4. Fold the assembly until the Spring Buttons on the throwing columns spring from the holes in which the QR Pins were installed when extended. Continue to fold the launcher flat, ensuring the elastics are not pinched in the assembly.

5. With the assembly folded flat, insert the (2) QR Pins into the side holes of the leg assemblies.
6. Hook the Rings (Item 10) from top most elastics to the Anchor Hooks (Item 2) opposite of the Pulley (Item 11) it is through.
7. Hooks the Rings of from the bottom elastics to the CrossKeeper Ring Tabs (Item 9) on the leg brace such that they cross each other as shown.



Great job, you have trained yourself on how to use a valuable tool which will help you and your dogs TRAIN. TEST. TITLE.





## Maintenance and Care



Properly maintaining the Perfect mARC Remote Launching System will ensure your training experience is safe and reliable. Even though this product is designed to withstand conditions in the field, there are wear items that need to be maintained to ensure safe and reliable functionality.

The maintenance schedule assumes normal use cases, if exposed to the elements for extended durations the required frequency of maintenance will increase. Consider the following guidelines to maintain your launcher's performance.

- Periodic maintenance is required.
- Keep moving parts free of dirt and debris when possible.
- Inspect elastics for damage prior to every use.
- Reduced exposure to UV and excessive heat will extend the life of the elastics, consider using a [Heavy Duty Protective Carry Case](#) to protect the launcher.
- Although the frame and its components are corrosion resistant, it is recommended to store this product out of the elements when not in use.
- Submersion of the trigger mechanism underwater for extended periods of time is not recommended and is considered misuse. Yeah it will still launch but eventually you'll have to replace the actuator.
- Dry firing the launcher is not recommended.
- Don't attempt to operate the launcher with damaged or broken components.
- Although the launcher has a durable powder coated finish, dulling of the finish on inner retractable tubing is considered normal wear. Regular lubrication of the inner tubes will prolong the finish durability.

Reference the maintenance table and visit [perfectmarc.com](http://perfectmarc.com) for accessories, service parts and care products.

Item	Maintenance / Care	Frequency
Elastics	Inspect for damage; cracking, cuts, tears, connection points and replace as required	Prior to every use
	Treat with a UV protectant (303 Aerospace Protectant)	Monthly
	Limit UV and extreme heat exposure; storing indoors and in a <a href="#">Heavy Duty Protective Carry Case</a> will extend the life of elastics	When not in use
	Performance based replacement, high quality rubber tubing is a wearable item and requires replacement to maintain performance	Yearly
Frame	Lubricate telescoping tubing with a high quality silicone based lubricant	Monthly
	Check tightness of fasteners - ensure pivot points are free to move and frame brace connection points remain tightened	Yearly
Trigger Assembly	Ensure Trigger Arm and Trigger Yoke rotate freely and do not bind	Before Every Loading Process
	Check that rollers rotate and are not damaged	
	Verify Trigger Yoke is attached return spring - it should automatically return to the vertical position and engage with the Trigger Arm	
Pouch	Inspect webbing for wear and stitching is secure Ensure eyelets are not damaged and are securely captured by the webbing Verify roller release assembly freely rotates and is securely fastened to the pouch eyelet by the nut and washer	Before Every Loading Process
Pulleys	Lubricate pivot points and sheave bearing with a high quality silicone based lubricant	Monthly



## Tips and Tricks









Getting familiar with the Perfect mARC Remote Launching System will help you become more efficient in set-up and use. These tips will speed up the process.

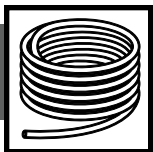
- The Perfect mARC remote throwing system is designed to be folded up while the frame is extended as well as retracted. If you don't need to fully retract the frame for storage, folding the system in the configurations identified as "Folds Neaty" in Set-Up Throw and Trajectory section the will shorten your set up time.
- Retracting the telescoping frame is easier on level ground. If binding occurs, find level ground and attempt the process again.
- Lifting the frame while simultaneously pressing the spring buttons is an effect method of enabling the frame to retract and extend freely.
- If a spring button gets stuck inside the inner tubing it can be reset by sliding out the inner tube assemble and using a long screwdriver to reposition the spring button in relation to the hole.
- When using electronics, testing the electronic release system BEFORE loading will ensure a reliable launch. After the receiver is turned on and plugged in, verify the Roller Yoke Assembly (Item 17) moves when the transmitter button is pressed. If the actuator doesn't move during the electronics test, manually move the Trigger Yoke to ensure the mechanism can move freely. ensure electronics are charged and turned on, check connections or try another cable.
- Cold weather can affect the performance of elastics, storing your launcher indoors and in Heavy Duty Protective Carry Cases will prolong the life and performance of elastics.
- Looping the manual launch lanyard around the leg and up and over the trigger brace will keep it out of the way but ready if you need it for a manual launch.
- Our launchers have been tested and are compatible with most remote release electronics including GARMIN, Dogtra and SportDog.
- A polarity change IS NOT required to work with the SportDog remote release, however using the solenoid (white) port to actuate remotely is required.



## Quick Guide Videos

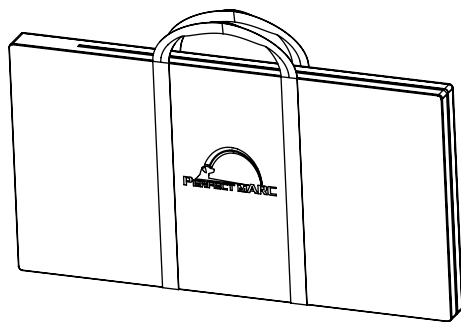


QR Code	Video Topic
	Remote Throwing System Set-Up
	Remote Throwing System Tear Down and Stow
	Electronics Mounting - Dogtra
	Electronics Mounting - Garmin/TriTronics
	Electronics Mounting - SportDog
	Using a 209 Primer
	Manual Launch Lanyard Installation
	<a href="https://perfectmarc.com/pages/videos">https://perfectmarc.com/pages/videos</a> (all videos here and more)



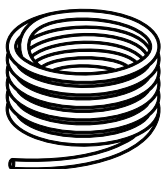
## Accessories

### Heavy Duty Protective Carry Case



Protect your investment. The durable nylon three panel construction gives your launcher an added layer of protection during transportation. Made from UV resistant material, this case will extend the life of your elastics by shielding them from damaging sunlight. Extra wide two inch handles make it easy to carry and the full length zipper opens wide to make packing up hassle free. Case measures 28.5" x 3.5" x 54.0"

### Bulk Elastics



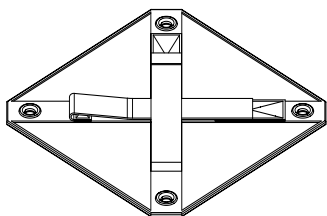
Perfect mARC elastics are made in North America using a continuous dip process, concentrically building up material to the proper diameter and thickness.ensures your launcher will throw a perfect mark, every time.

### Remote Launcher Cable



Genuine Perfect mARC cables are guaranteed to be compatible with Dogtra, Garmin and Sport Dog remote release systems.

### Pouch with Bird Restraints



Toughest pouch on the market. Designed to hold live flyers using velcro restraints.

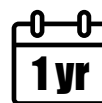
- ToughPouch rip stop material
- Reinforced webbing
- (2) velcro bird restraint flaps
- Industrial grade grommets
- Easy clean surface finish
- High visibility orange color with the Perfect mARC logo



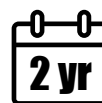
## No BS Warranty



Every Perfect mARC product has been manufactured and tested to the highest quality standards and is backed by our no BS warranty.



Perfect mARC, LLC warrants new **remote throwing systems** from the date of shipment to be free from manufacturer's defects in material or workmanship under normal use and service for a period of **one year** from the date of original purchase.



Furthermore, Perfect mARC, LLC warrants the **trigger assembly** of new remote throwing systems from the date of shipment to be free from manufacturer's defects in material or workmanship under normal use and service for a period of **two years** from the date of original purchase.

If you have trouble sleeping, we have a legal warranty statement with all the details online at [perfectmarc.com/pages/warranty](http://perfectmarc.com/pages/warranty)



Need a hey, hey, hey?  
470.297.8788

Visit Us  
[www.perfectmarc.com](http://www.perfectmarc.com)

Follow Us

