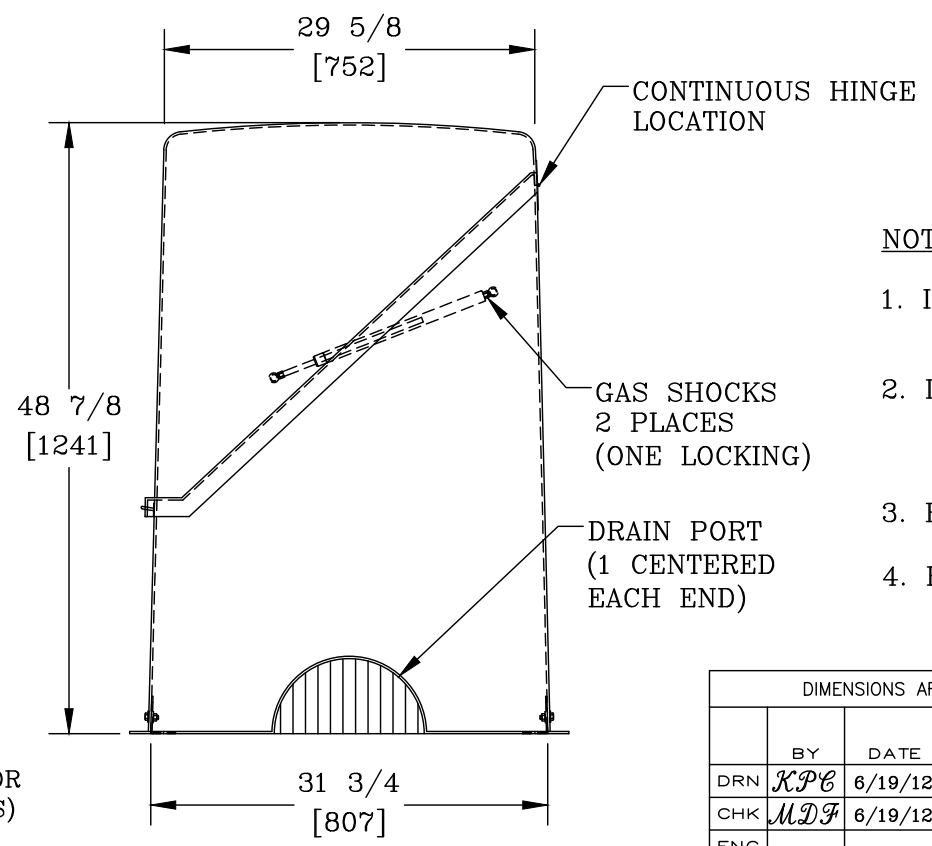
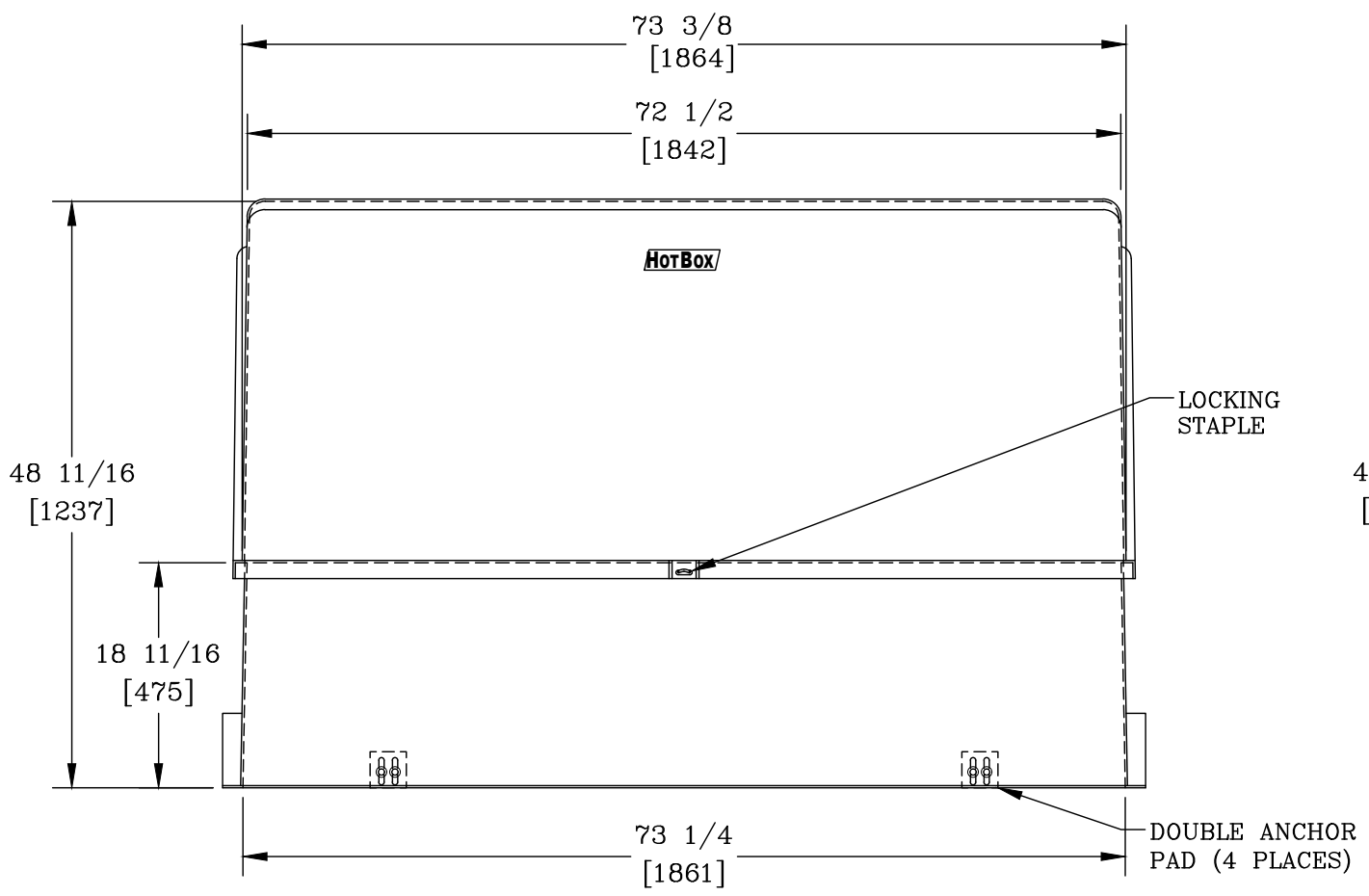



CUSTOMER APPROVAL

APPROVED BY: _____
 DATE: _____



- NOTES:**
- INSULATION AND HEATER IS NOT PROVIDED WITH THIS ENCLOSURE.
 - INTERNAL BRACKETS AND CONCRETE ANCHORS ARE SUPPLIED WITH THE ENCLOSURE. (NOT SHOWN)
 - ENCLOSURE COLOR IS BEIGE.
 - FOR RECOMMENDED SLAB SIZE ADD 9" [229] TO THE ENCLOSURE EXTERIOR.

DIMENSIONS ARE IN INCHES OR MILLIMETERS IN BRACKETS UNLESS OTHERWISE NOTED.			
DRN	BY	DATE	WEIGHT
CHK	KPC	6/19/12	206#
ENG	MDJ	6/19/12	94kg
APR			SCALE
APR			3/4"=1'
PROJECT NUMBER		SIZE	
09937		B	
 3621 INDUSTRIAL PARK DR LENOIR CITY, TN 37771 800-346-3062 www.hot-box.com			LOC
DRAWING DESCRIPTION			REV
HOT BOX® FIBERGLASS FLIP TOP ENCLOSURE VG3N			A
SHEET 1 OF 1		DRAWING NUMBER	
		VF026070045	