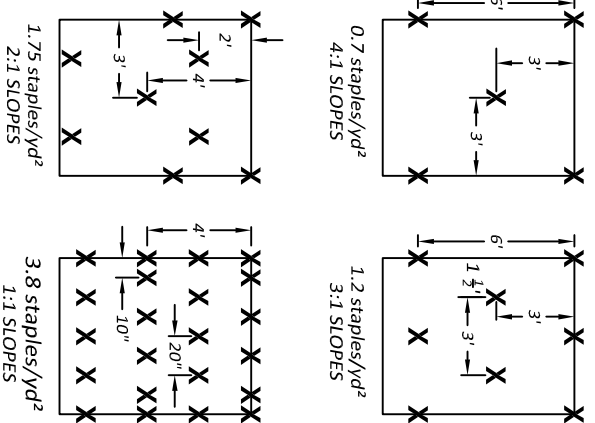


Slope Installation Guidelines:

These guidelines are recommendations only. Any questions with the installation should be confirmed with your local distributor.

1. Dig a 6" by 6" trench both up-slope and down-slope of the area the matting is to be applied. Prepare the slope soil surface (raking, seeding and fertilizing).
2. Begin by placing the blanket a minimum of 12" down-slope of the up-slope trench. Secure the blanket at the bottom of the trench with staples placed 12" apart. Backfill and compact the trench. Apply seed, and fold the blanket over soil, secure with a row of staples placed 12" apart across the width of the blanket. (See Diagram A)
3. Roll the blanket vertically down the slope. Secure using the appropriate staple pattern below, specified by slope. (See Staple Patterns)
4. Parallel blankets must be overlapped by a minimum of 4", and secured with a row of staples placed approximately 3'-0" apart. (See Diagram B)
5. Additional vertical blankets can be joined using a minimum 4" overlapping or shingle style. (See Diagrams C) In the direction of water flow. Connect the blankets by placing staples approximately 12" apart across the width of the blankets.
6. For maximum performance a check slot should be placed at 25'-40' intervals. Place a row of staples 4" apart along the entire width of the slope. A second row should be placed 4" below in a staggered pattern. Then continue with general installation. (See Diagrams D)
7. The end of blanket must be secured in a 6" x 6" trench with a row of staples placed at 12" intervals. (Diagram E)

Staple Patterns:



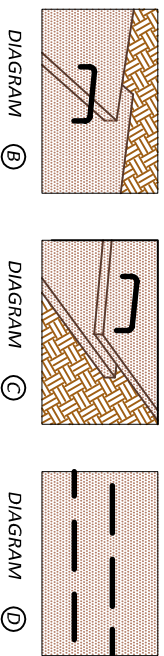
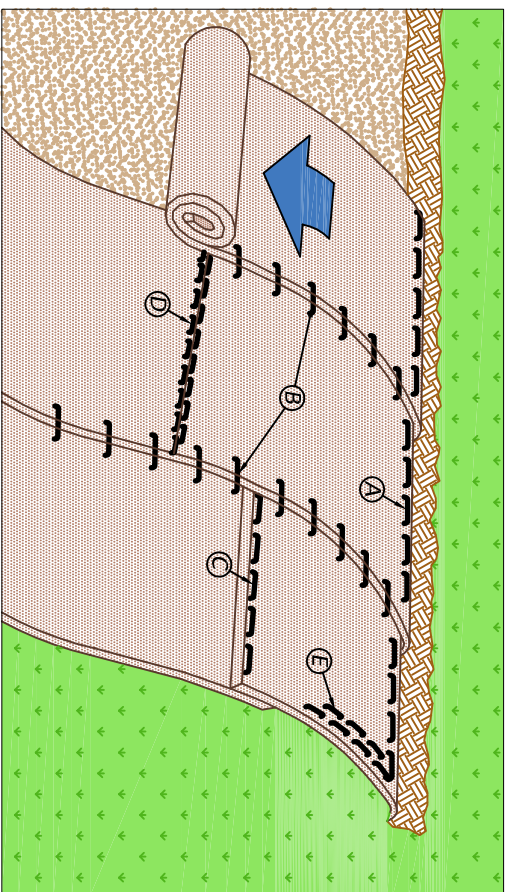
Specifications and Equivalency:

All product material and performance specifications are available from East Coast Erosion Blankets via the product specification sheet. Utilization of a 11 gauge staple, a minimum 6" long by 1" crown, is recommended. The tightly compressed blankets are wrapped and include a product label, code and installation guide.

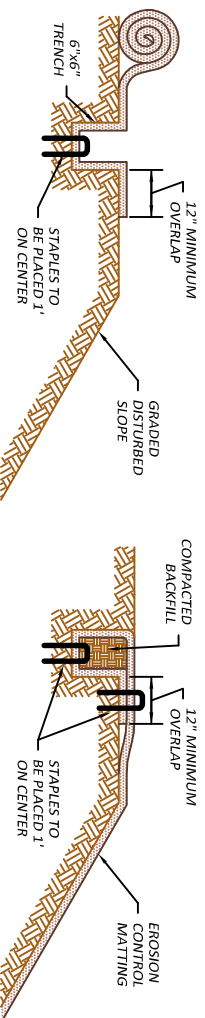
In addition to meeting all data available on the specification sheet, equivalent products shall meet the following requirements:

- The product must be listed with the NITPEP database.
- The product must meet the Type 2.C specification requirements established by the Erosion Control Technology Council (ECTC).
- The product must meet the Federal Highway Administration's (FHWA) FP-03 Section 713.17 specification.

Slope Installation Detail



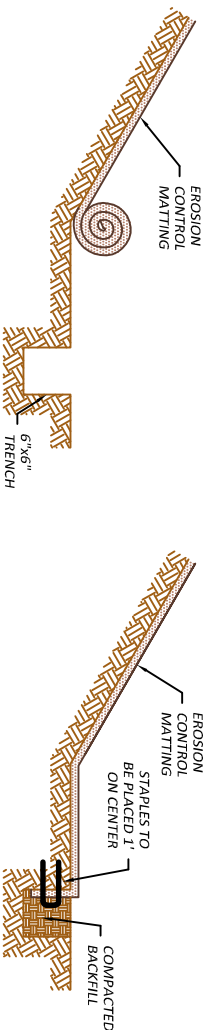
Up-slope Trench Installation Detail (Diagram A)



Step 1

Step 2

Down-slope Trench Installation Detail (Diagram E)



Step 1

Step 2



EASTCOAST
erosion blankets

443 Bricker Road Bernville, PA 19506
Toll Free: 1-800-582-4005 * Phone: +1-610-488-8496 * Fax: +1-610-488-8494

DRAWN BY: MR

DRAWING #: EC-SLOPE

REV. # 1

DATE: 1/2/09

Proud Member of:

