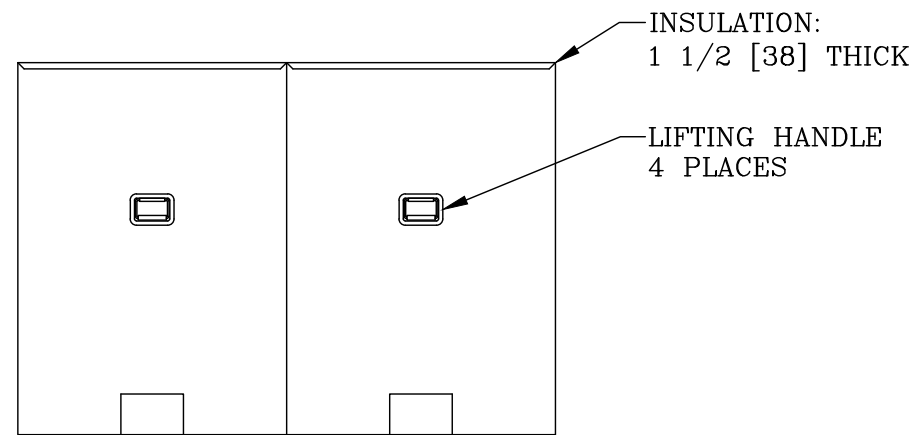
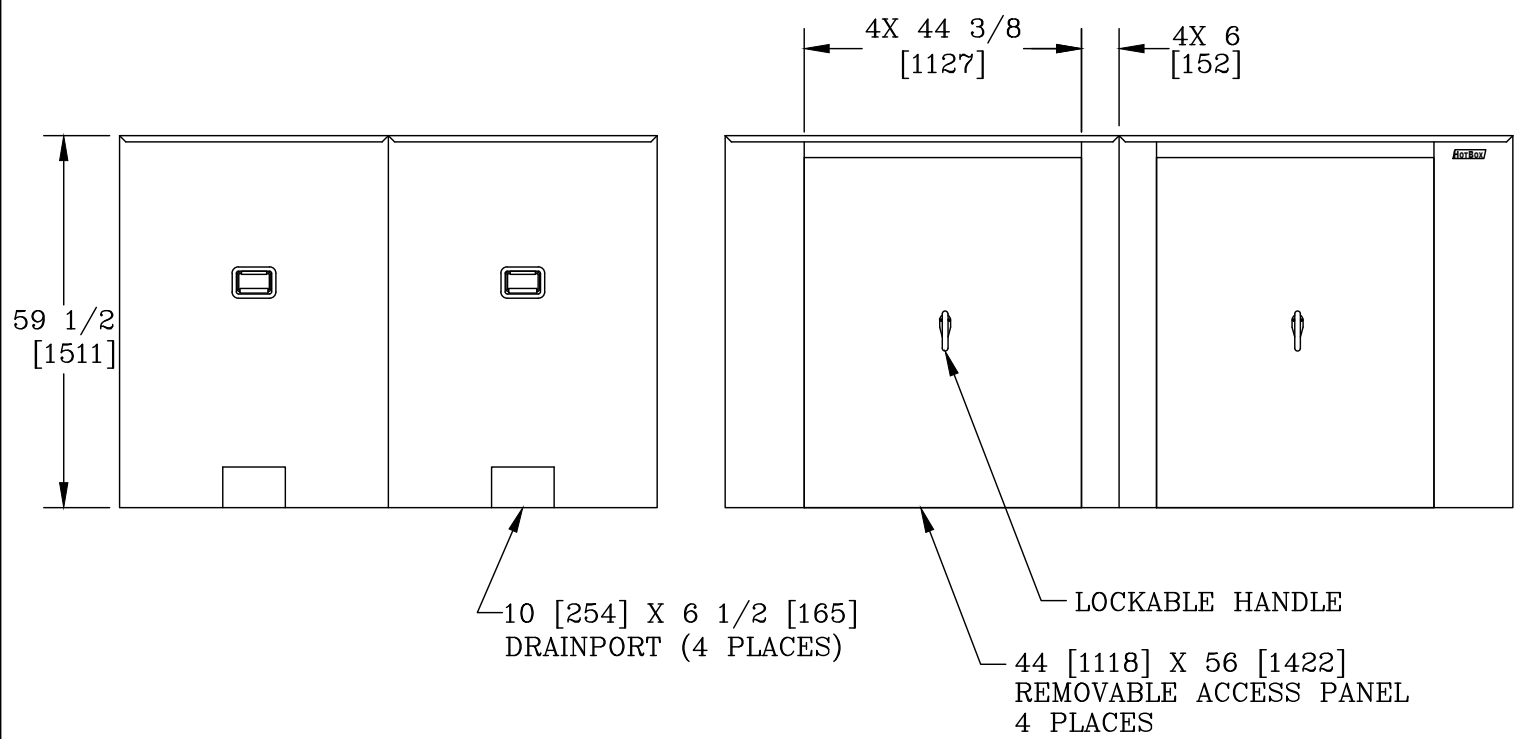


VIEW A-A



NOTES:

- INTERNAL DIMENSIONS: 83 [2108]W X 123 [3124]L X 58 [1473]H
- FOR RECOMMENDED SLAB SIZE ADD 9" [229] TO THE ENCLOSURE EXTERIOR.

DIMENSIONS ARE IN INCHES OR MILLIMETERS IN BRACKETS UNLESS OTHERWISE NOTED.			
DRN	BY	DATE	WEIGHT
CHK	KPC	9/10/09	452#
ENG			205kg
APR			SCALE
APR			3/8"=1'
PROJECT NUMBER		DRAWING NUMBER	
09853		LA083123058	
SHEET 1 OF 1		DRAWING DESCRIPTION	
		HOT BOX® (4 SECTION) ALUMINUM ENCLOSURE LB8N-D	
		LOC LC S REV A 9/09	

HUBBELL 3621 INDUSTRIAL PARK DR
LENOIR CITY, TN 37771
800-346-3062
www.hot-box.com