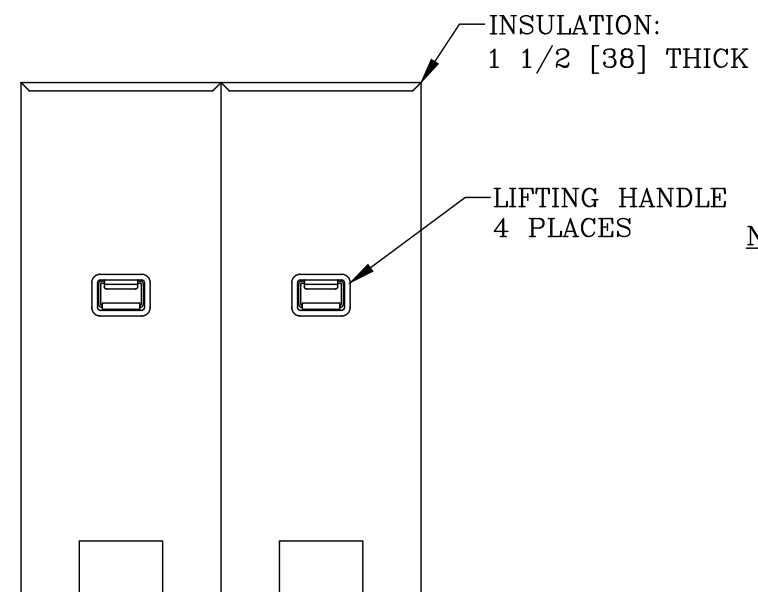
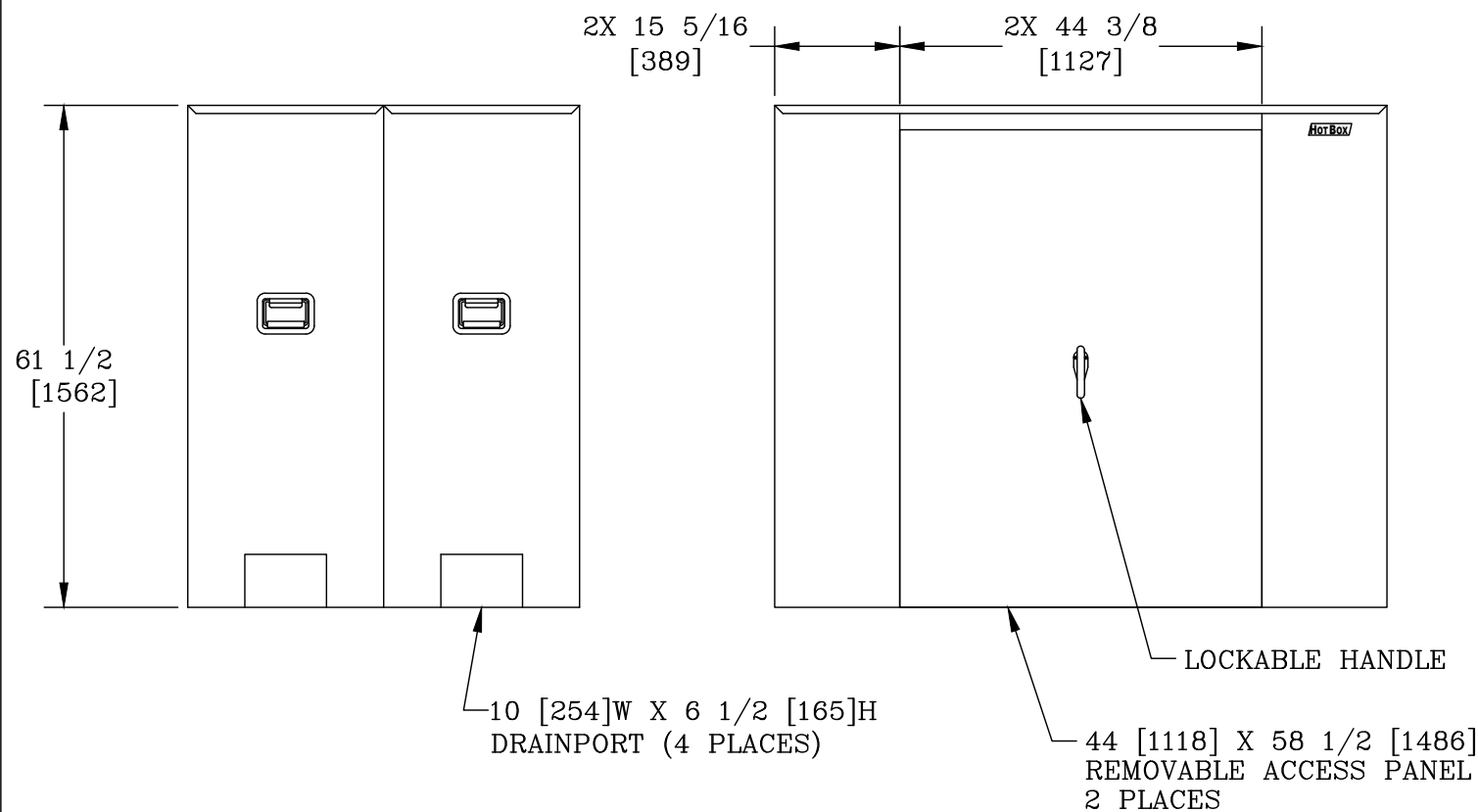



VIEW A-A



NOTES:

- HEAT IS NOT PROVIDED WITH THIS ENCLOSURE.
- INTERNAL DIMENSIONS: 45 [1143]W X 72 [1829]L X 60 [1524]H
- FOR RECOMMENDED SLAB SIZE ADD 9" [229] TO THE ENCLOSURE EXTERIOR.

DIMENSIONS ARE IN INCHES OR MILLIMETERS IN BRACKETS UNLESS OTHERWISE NOTED.

DRN	BY	DATE	WEIGHT	 3621 INDUSTRIAL PARK DR LENOIR CITY, TN 37771 800-346-3062 www.hot-box.com	LOC
CHK			235# 107kg		LC
ENG			SCALE	DRAWING DESCRIPTION	REV
APR			1/2"=1'		A
APR			SIZE		7/15
PROJECT NUMBER			B	HOT BOX® (2 SECTION) ALUMINUM ENCLOSURE LB8000ANT	
SHEET 1 OF 1					DRAWING NUMBER
				LA045072060	