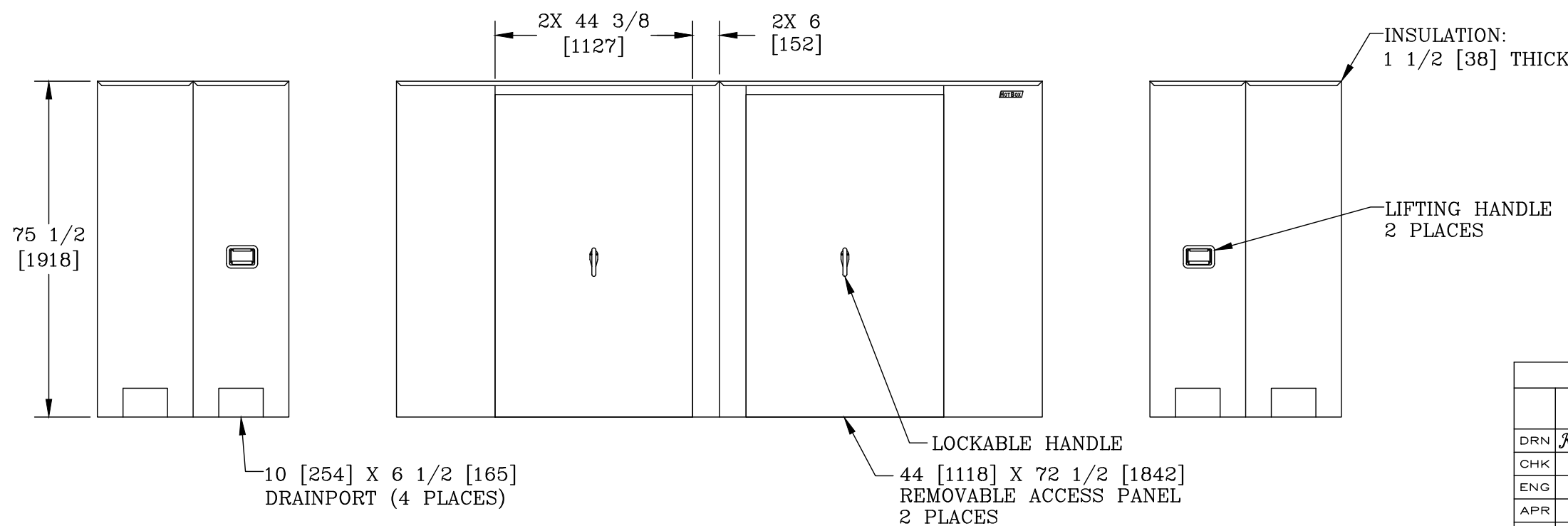



VIEW A-A



NOTES:

- HEAT IS NOT PROVIDED. (HEATER OPTIONS AVAILABLE)
- INTERNAL DIMENSIONS: 40 [1016]W X 142 [3607]L X 74 [1880]H
- FOR RECOMMENDED SLAB SIZE ADD 9" [229] TO THE ENCLOSURE EXTERIOR.

DIMENSIONS ARE IN INCHES OR MILLIMETERS IN BRACKETS UNLESS OTHERWISE NOTED.

DRN	BY	DATE	WEIGHT	 363# 165kg	3621 INDUSTRIAL PARK DR LENOIR CITY, TN 37771 800-346-3062 www.hot-box.com	LOC
CHK			SCALE			DRAWING DESCRIPTION
ENG			3/8"=1'	HOT BOX® (4 SECTION) ALUMINUM ENCLOSURE LB8ES	REV	
APR			SIZE		A	
APR			B		9/09	
PROJECT NUMBER				DRAWING NUMBER		
09876				LA040142074		
SHEET 1 OF 1						