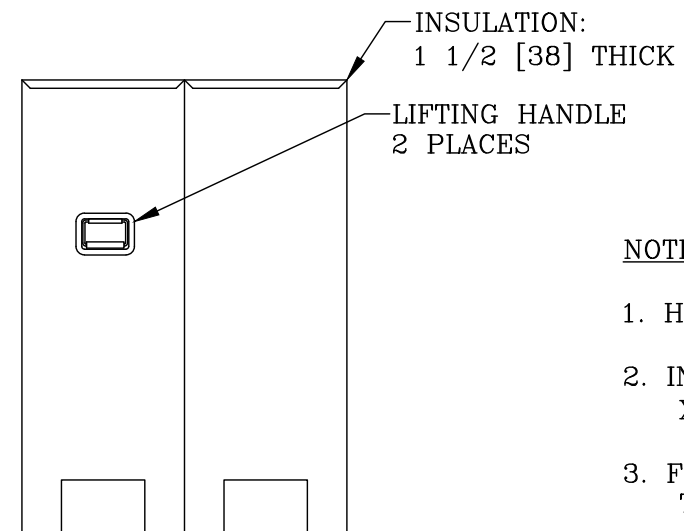
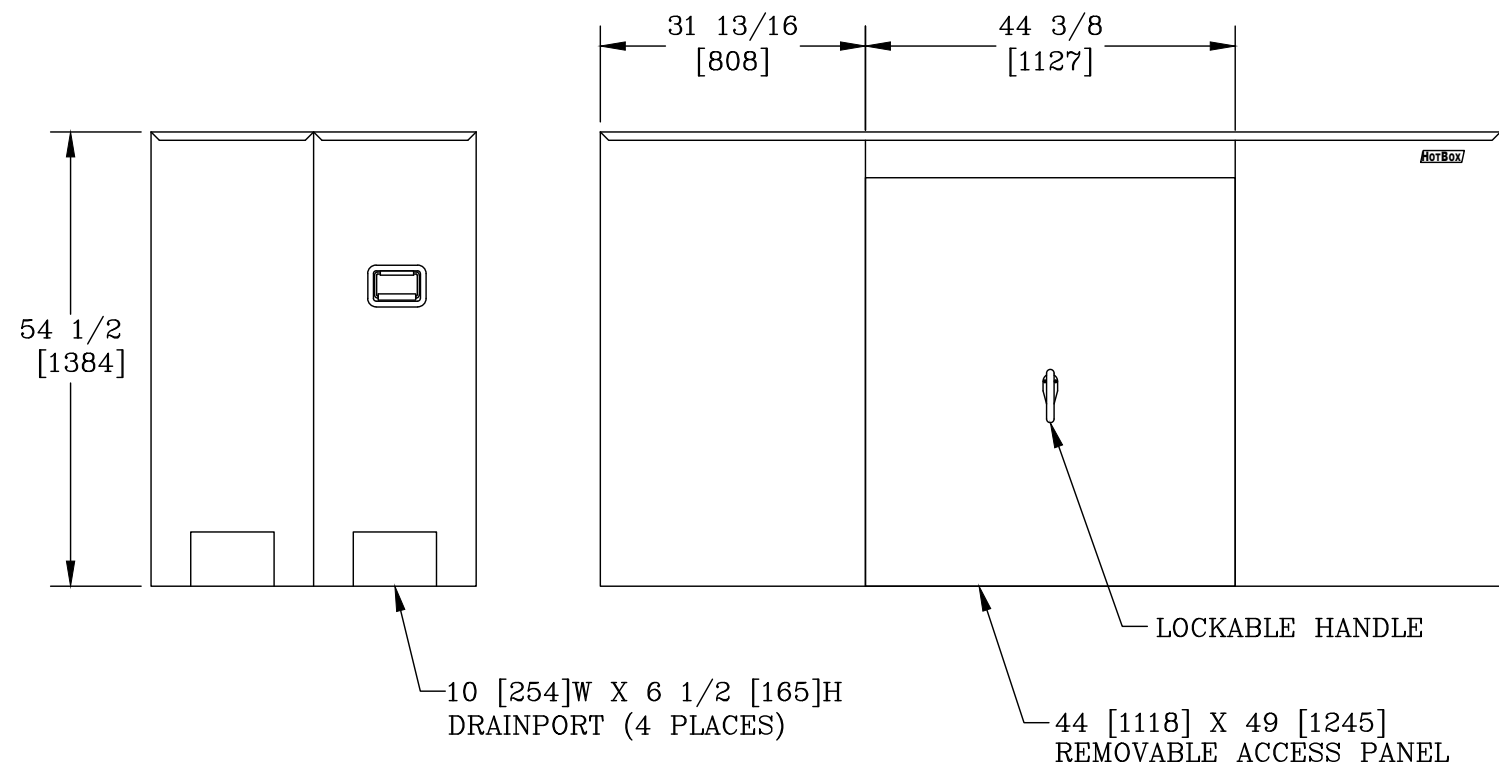



VIEW A-A



NOTES:

- HEAT IS NOT PROVIDED. (HEATER OPTIONS AVAILABLE)
- INTERNAL DIMENSIONS: 36 [914]W X 105 [2667]L X 53 [1346]H
- FOR RECOMMENDED SLAB SIZE ADD 9" [229] TO THE ENCLOSURE EXTERIOR.

DIMENSIONS ARE IN INCHES OR MILLIMETERS IN BRACKETS UNLESS OTHERWISE NOTED.

DRN	BY	DATE	WEIGHT	 3621 INDUSTRIAL PARK DR LENOIR CITY, TN 37771 800-346-3062 www.hot-box.com	LOC
CHK			209# 95kg		LC
ENG			SCALE	DRAWING DESCRIPTION HOT BOX® (2 SECTION) ALUMINUM ENCLOSURE LB6N	REV
APR			1/2"=1'		A
APR			SIZE B		9/09
PROJECT NUMBER			DRAWING NUMBER		
09831			LA036105053		
SHEET			1 OF 1		