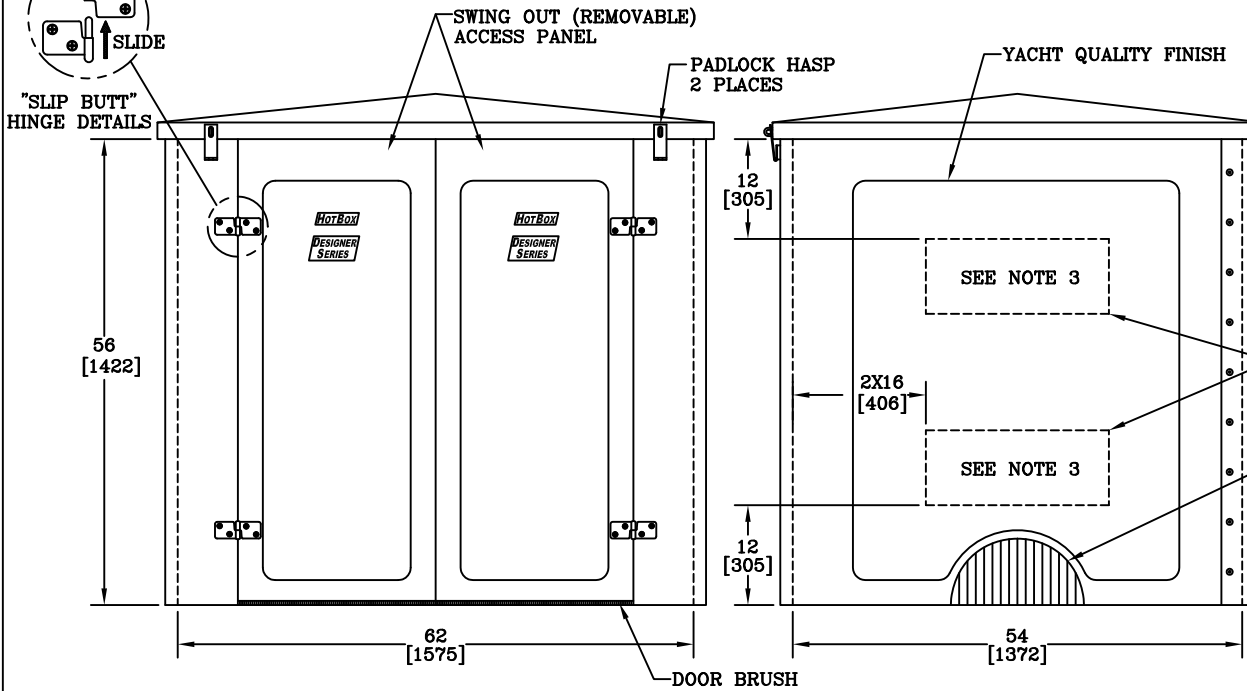
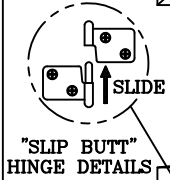
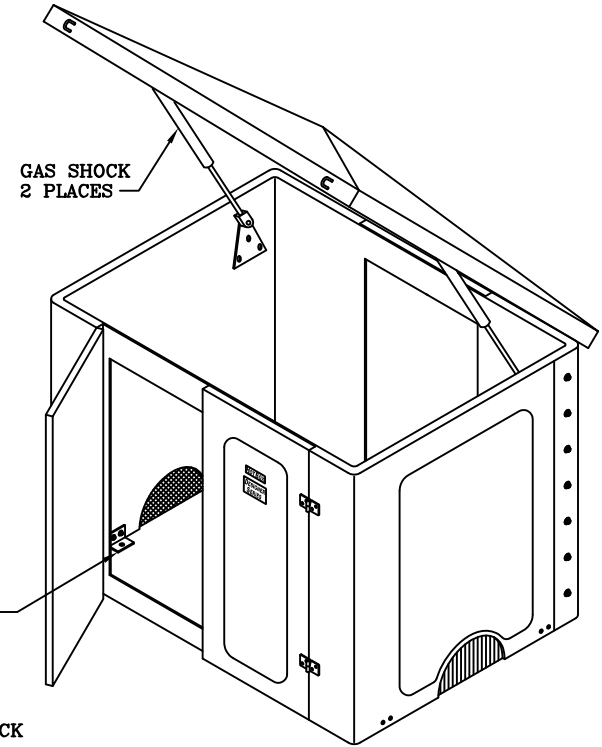


CUSTOMER APPROVAL  
 APPROVED BY: \_\_\_\_\_  
 DATE: \_\_\_\_\_



INSULATION:  
 1 1/2 [38] THICK

**NOTES:**

1. THE RECOMMENDED SLAB SIZE IS 66 [1676] X 74 [1880].
2. STANDARD COLOR IS BEIGE (OPTIONS AVAILABLE)
3. HEAT IS PROVIDED BY 1900WATT, 120V SINGLE PHASE HEATER WITH THERMOSTAT AND FAN.
4. FOUR INTERNAL BRACKETS AND CONCRETE ANCHORS ARE SUPPLIED WITH THE ENCLOSURE.
5. OLD P/N: HB10FEM

HEATER LOCATION

DRAIN  
 (1 CENTERED EACH END)

DIMENSIONS ARE IN INCHES OR MILLIMETERS IN BRACKETS UNLESS OTHERWISE NOTED.				924 LANE AVENUE JACKSONVILLE, FL 32254 904-786-0204 www.hot-box.com		LOC
DRN	BY	DATE	WEIGHT	DRAWING DESCRIPTION	REV	11/10
CHK	KCP	9/24/09	490# 222kg			
ENG			SCALE			
APR			3/4"=1'			
APR			SIZE			
PROJECT NUMBER				DRAWING DESCRIPTION		
				HOT BOX® FIBERGLASS ENCLOSURE		B
SHEET 1 OF 1				DRAWING NUMBER		HM054062056