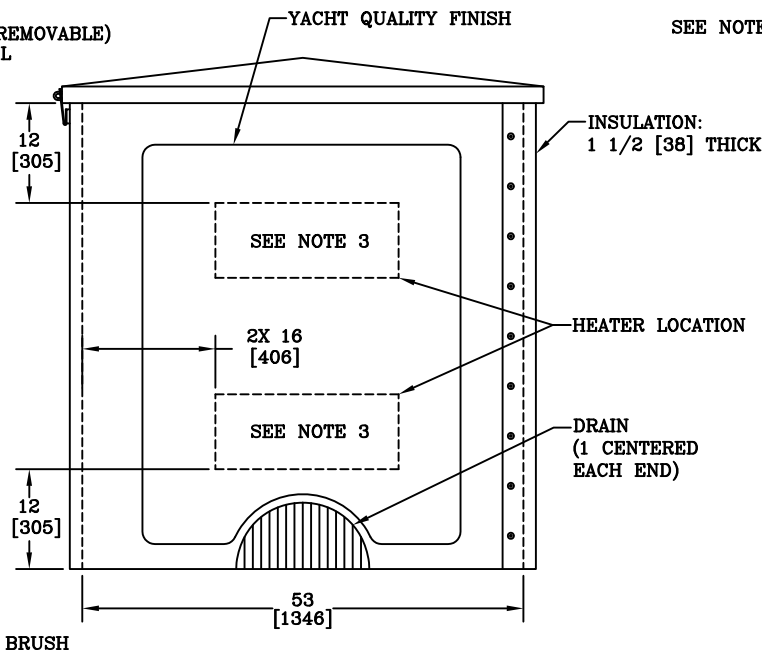
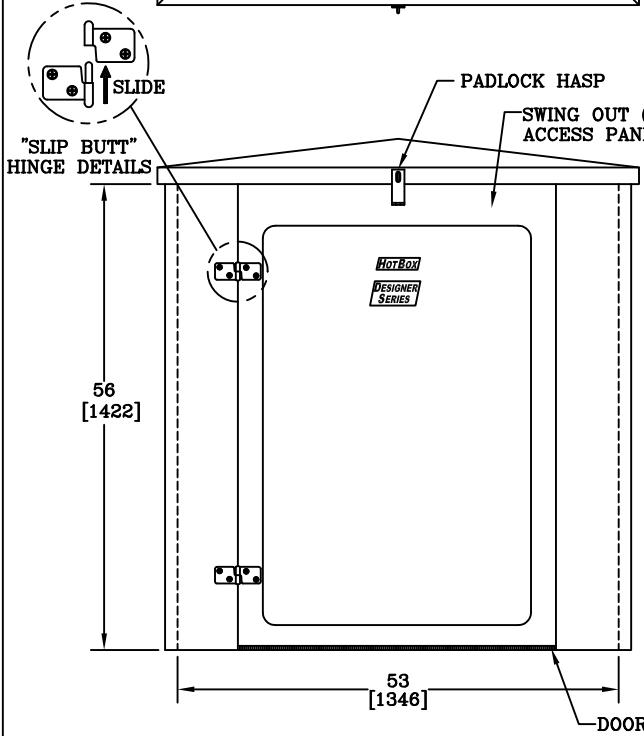
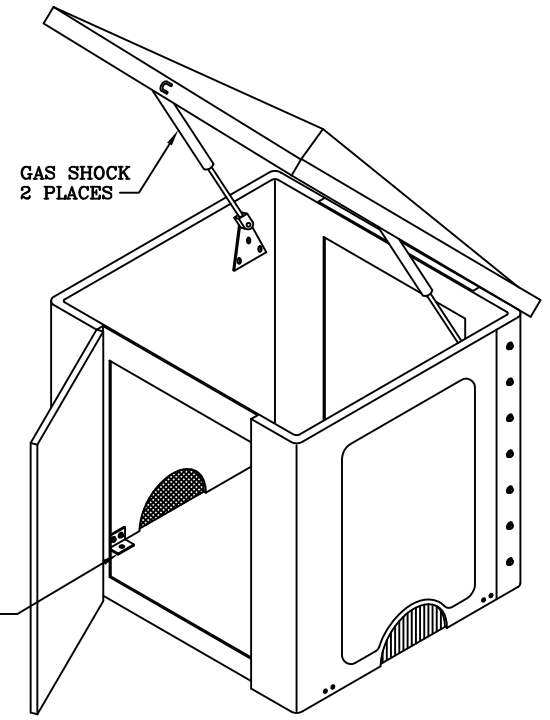


CUSTOMER APPROVAL  
 APPROVED BY: \_\_\_\_\_  
 DATE: \_\_\_\_\_



- NOTES:**
1. THE RECOMMENDED SLAB SIZE IS 63 [1600] X 63 [1600].
  2. STANDARD COLOR IS BEIGE (OPTIONS AVAILABLE)
  3. HEAT IS PROVIDED BY 1500WATT, 120V SINGLE PHASE HEATER WITH THERMOSTAT AND FAN.
  4. FOUR INTERNAL BRACKETS AND CONCRETE ANCHORS ARE SUPPLIED WITH THE ENCLOSURE.
  5. OLD P/N: HBBFEM

DIMENSIONS ARE IN INCHES OR MILLIMETERS IN BRACKETS UNLESS OTHERWISE NOTED.				924 LANE AVENUE JACKSONVILLE, FL 32254 904-786-0204 www.hot-box.com		LOC
DRN	BY	DATE	WEIGHT	SCALE	DRAWING DESCRIPTION	LC
CHK	KCP	9/24/09	340# 154kg			REV
ENG				3/4"=1'	HOT BOX® FIBERGLASS ENCLOSURE	B
APR				SIZE		11/10
APR				B		
PROJECT NUMBER				SHEET 1 OF 1		DRAWING NUMBER HM053053056