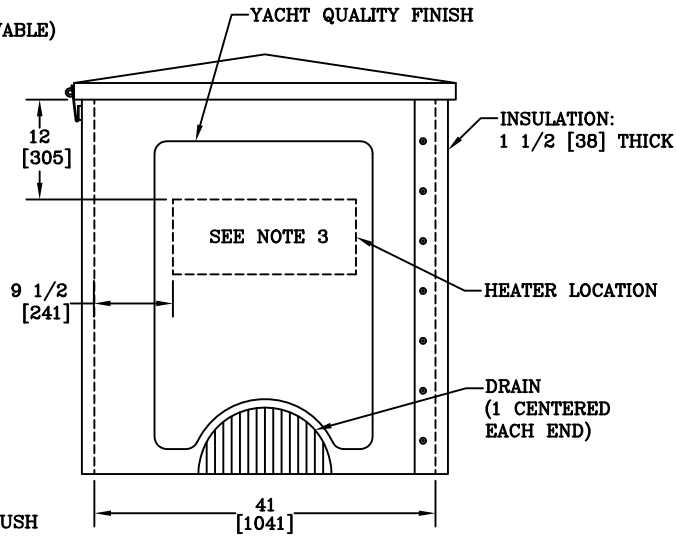
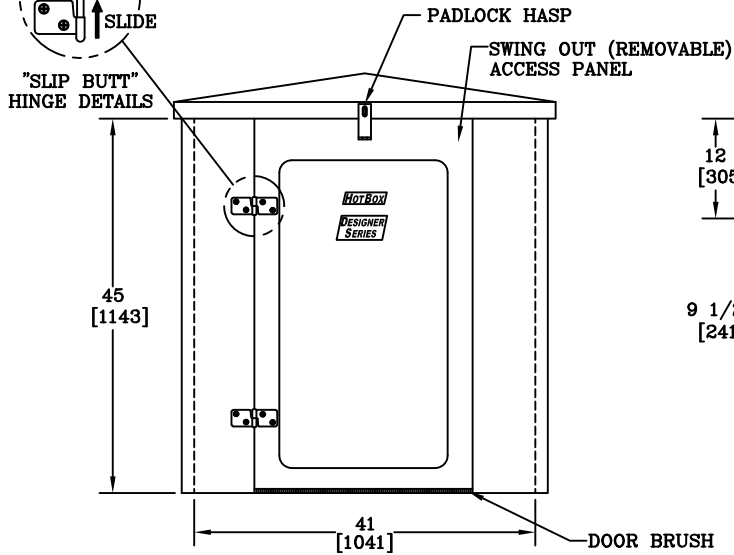
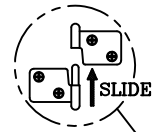
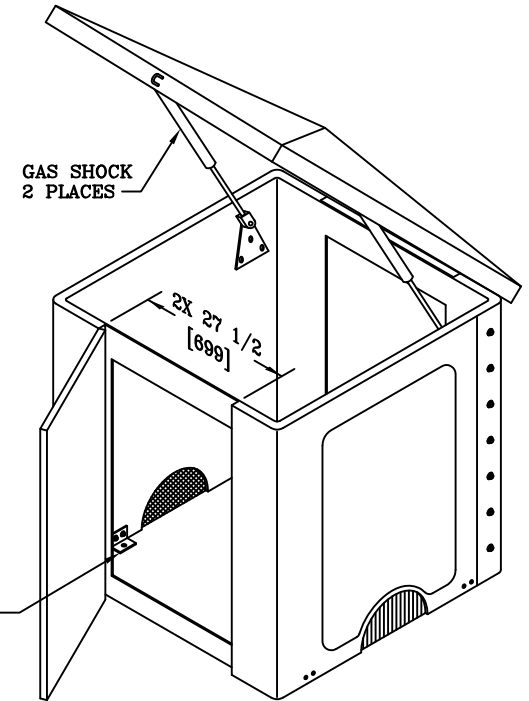


CUSTOMER APPROVAL
 APPROVED BY: _____
 DATE: _____



NOTES:

1. THE RECOMMENDED SLAB SIZE IS 53 [1346] X 53 [1346].
2. STANDARD COLOR IS BEIGE (OPTIONS AVAILABLE)
3. HEAT IS PROVIDED BY 1000WATT, 120V SINGLE PHASE HEATER WITH THERMOSTAT AND FAN.
4. FOUR INTERNAL BRACKETS AND CONCRETE ANCHORS ARE SUPPLIED WITH THE ENCLOSURE.
5. OLD P/N: HB4FEM

DIMENSIONS ARE IN INCHES OR MILLIMETERS IN BRACKETS UNLESS OTHERWISE NOTED.				HUBBELL® 924 LANE AVENUE JACKSONVILLE, FL 32254 904-786-0204 www.hot-box.com		LOC
DRN	BY	DATE	WEIGHT	DRAWING DESCRIPTION	REV	LC
CHK	KCP	8/31/09	270# 122kg			
ENG			SCALE	HOT BOX® FIBERGLASS ENCLOSURE	B	S
APR			3/4"-1'			
APR			SIZE			
PROJECT NUMBER				DRAWING NUMBER		
09813				HMO41041045		
SHEET 1 OF 1						