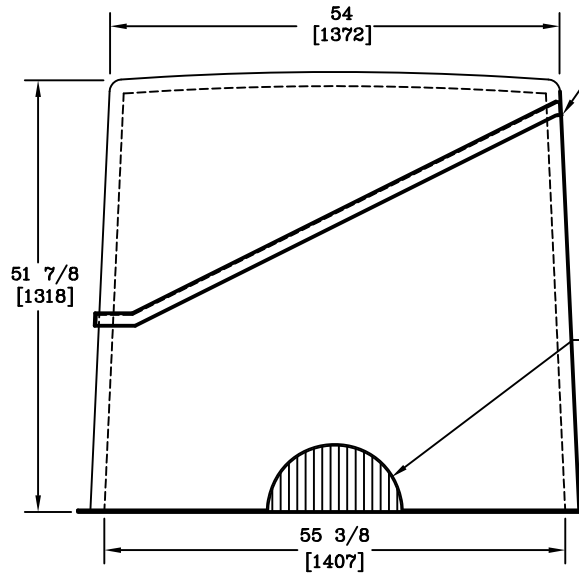


INSULATION:
1 1/2 [38] THICK



CONTINUOUS HINGE
LOCATION

NOTES:

- HEAT IS PROVIDED BY A 1500WATT, 120V SINGLE PHASE HEATER. FOR UNHEATED VERSION REPLACE THE PREFIX "H" WITH AN "L".
- FOUR INTERNAL BRACKETS AND CONCRETE ANCHORS ARE SUPPLIED WITH THE ENCLOSURE. (NOT SHOWN)
- STANDARD COLOR IS BEIGE (OPTIONS AVAILABLE)
- FOR RECOMMENDED SLAB SIZE ADD 9" [305] TO THE ENCLOSURE EXTERIOR.
- OLD P/N: HB5000

DIMENSIONS ARE IN INCHES OR MILLIMETERS IN BRACKETS UNLESS OTHERWISE NOTED.				HUBBELL® 924 LANE AVENUE JACKSONVILLE, FL 32254 904-786-0204 www.hot-box.com		LOC
DRN	BY	DATE	WEIGHT	DRAWING DESCRIPTION	HOT BOX® FIBERGLASS FLIP TOP ENCLOSURE	LC
CHK	KCP	9/24/09	211kg			S
ENG			SCALE			REV
APR			3/4"=1'			B
APR			SIZE			18/10
PROJECT NUMBER			DRAWING NUMBER			
09996			HL052061052			
SHEET 1 OF 1						