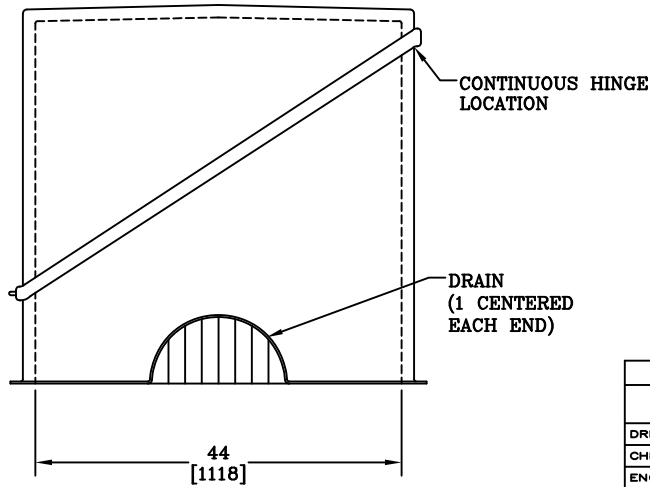


INSULATION:
1 1/2 [38] THICK



NOTES:

- HEAT IS PROVIDED BY A 1000WATT, 120V SINGLE PHASE HEATER. FOR UNHEATED VERSION REPLACE THE PREFIX "H" WITH AN "L".
- FOUR INTERNAL BRACKETS AND CONCRETE ANCHORS ARE SUPPLIED WITH THE ENCLOSURE. (NOT SHOWN)
- STANDARD COLOR IS BEIGE. (OPTIONS AVAILABLE)
- FOR RECOMMENDED SLAB SIZE ADD 9" [305] TO THE ENCLOSURE INTERIOR.
- OLD P/N: HB4000

DIMENSIONS ARE IN INCHES OR MILLIMETERS IN BRACKETS UNLESS OTHERWISE NOTED.				HUBBELL® 924 LANE AVENUE JACKSONVILLE, FL 32254 904-786-0204 www.hot-box.com		LOC
DRN	BY	DATE	WEIGHT	SCALE	DRAWING DESCRIPTION	LC
CHK	ENG	APR	136kg			3/4"=1'
				SIZE		A
				B		9/08
PROJECT NUMBER				DRAWING NUMBER		
09995				HL044053044		
SHEET 1 OF 1						