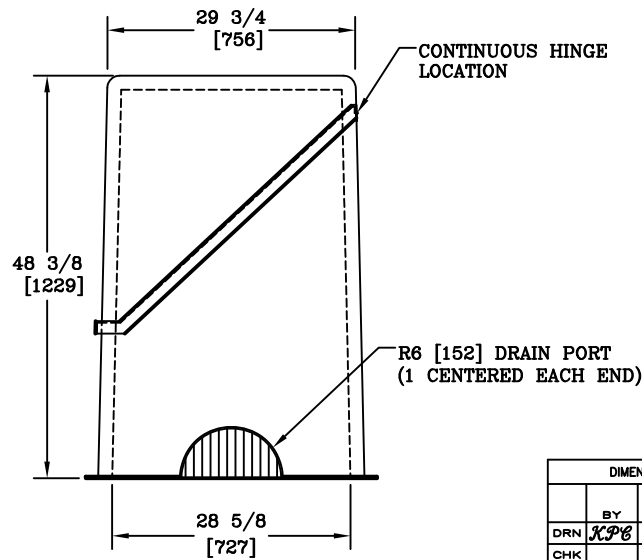


INSULATION:  
1 1/2 [38] THICK



**NOTES:**

1. HEAT IS PROVIDED BY (1) 1000WATT, 120V SINGLE PHASE HEATER. FOR UNHEATED VERSION REPLACE THE PREFIX "H" WITH AN "L".
2. FOUR INTERNAL BRACKETS AND CONCRETE ANCHORS ARE SUPPLIED WITH THE ENCLOSURE. (NOT SHOWN)
3. STANDARD COLOR IS BEIGE. (OPTIONS AVAILABLE)
4. FOR RECOMMENDED SLAB SIZE ADD 9" [229] TO THE ENCLOSURE EXTERIOR.
5. INTERIOR DIMENSIONS ARE NOMINAL.
6. OLD P/N: HB3N

DIMENSIONS ARE IN INCHES OR MILLIMETERS IN BRACKETS UNLESS OTHERWISE NOTED.				HUBBELL® 924 LANE AVENUE JACKSONVILLE, FL 32254 904-786-0204 www.hot-box.com		LOC
DRN	BY	DATE	WEIGHT	DRAWING DESCRIPTION	HOT BOX® FIBERGLASS FLIP TOP ENCLOSURE	LC
CHK	KCP	9/4/09	285# 129kg			S
ENG			SCALE			REV
APR			3/4"=1'			B
APR			SIZE			18/10
PROJECT NUMBER				DRAWING NUMBER		
09830				HF026070045		
SHEET 1 OF 1						