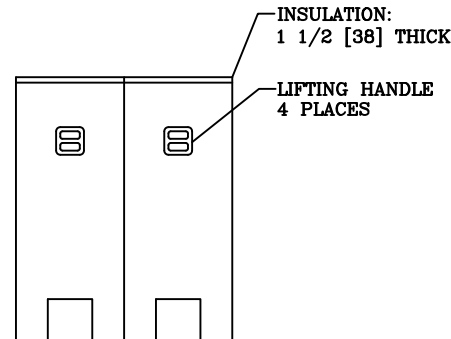
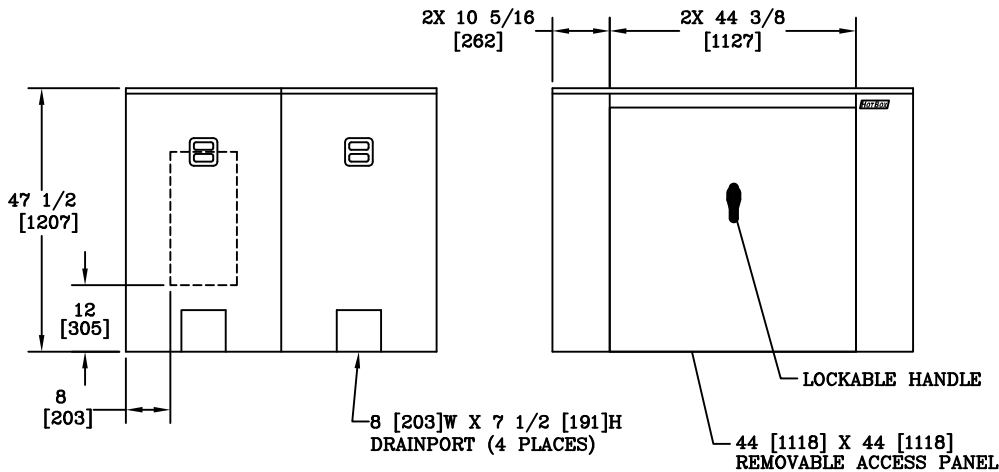


VIEW A-A



NOTES:

1. HEAT IS PROVIDED BY A 1500WATT, 120V SINGLE PHASE HEATER. FOR UNHEATED VERSION REPLACE THE PREFIX "H" WITH AN "L".
2. INTERNAL DIMENSIONS: 53 [1346]W X 62 [1575]L X 46 [1168]H
3. FOR RECOMMENDED SLAB SIZE ADD 9" [229] TO THE ENCLOSURE EXTERIOR.
4. OLD P/N: HB6000AE

DIMENSIONS ARE IN INCHES OR MILLIMETERS IN BRACKETS UNLESS OTHERWISE NOTED.				HUBBELL		LOC
DRN	BY	DATE	WEIGHT	3621 INDUSTRIAL PARK DR		LC
CHK	KCP	9/14/09	440#	LENOIR CITY, TN 37771		S
ENG			200kg	865-986-9726		REV
APR			SCALE	www.quozite.com		A
APR			1/2"=1'	DRAWING DESCRIPTION		9/09
PROJECT NUMBER			SIZE	HOT BOX® (2 SECTION) ALUMINUM ENCLOSURE		
09867			B			
SHEET 1 OF 1				DRAWING NUMBER		
				HA053062046		