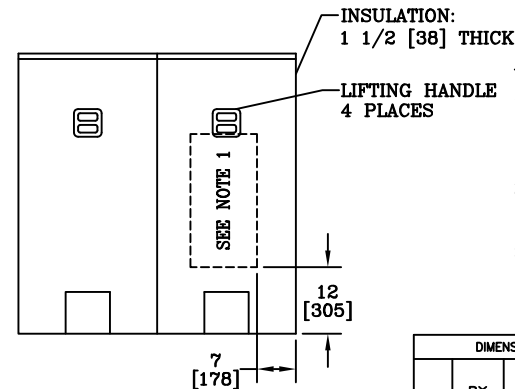
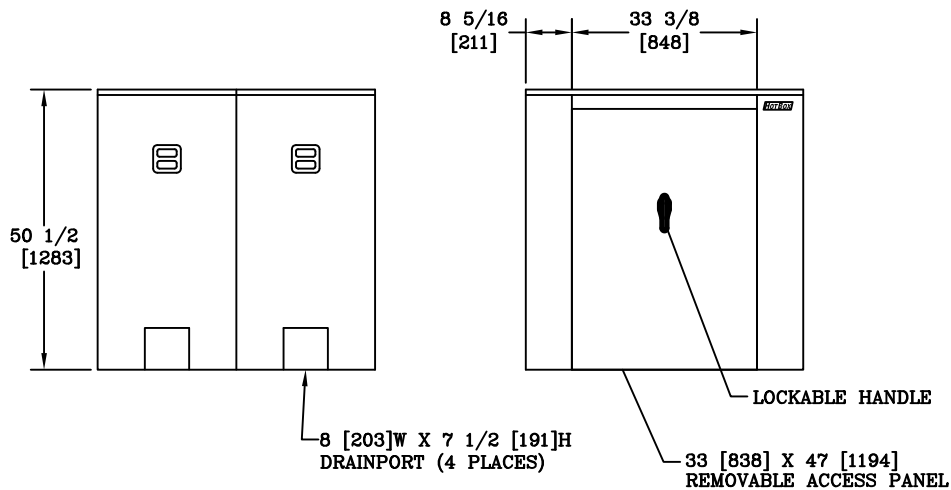


VIEW A-A



NOTES:

1. HEAT IS PROVIDED BY (1) 1500WATT, 120V SINGLE PHASE HEATER. FOR UNHEATED VERSION REPLACE THE PREFIX "H" WITH AN "L".
2. INTERNAL DIMENSIONS: 47 [1194]W X 47 [1194]L X 49 [1245]H
3. FOR RECOMMENDED SLAB SIZE ADD 9" [229] TO THE ENCLOSURE EXTERIOR.
4. OLD P/N: HB6FE-AL

DIMENSIONS ARE IN INCHES OR MILLIMETERS IN BRACKETS UNLESS OTHERWISE NOTED.				HUBBELL		LOC
DRN	BY	DATE	WEIGHT	3621 INDUSTRIAL PARK DR		LC
CHK	KCP	9/24/09	352#	LENOIR CITY, TN 37771		S
ENG			160kg	865-986-9726		REV
APR			SCALE	www.quozite.com		A
APR			1/2"=1'	DRAWING DESCRIPTION		9/09
			SIZE	HOT BOX® (2 SECTION) ALUMINUM ENCLOSURE		
			B			
PROJECT NUMBER				DRAWING NUMBER		
09940				HA047047049		
SHEET 1 OF 1						