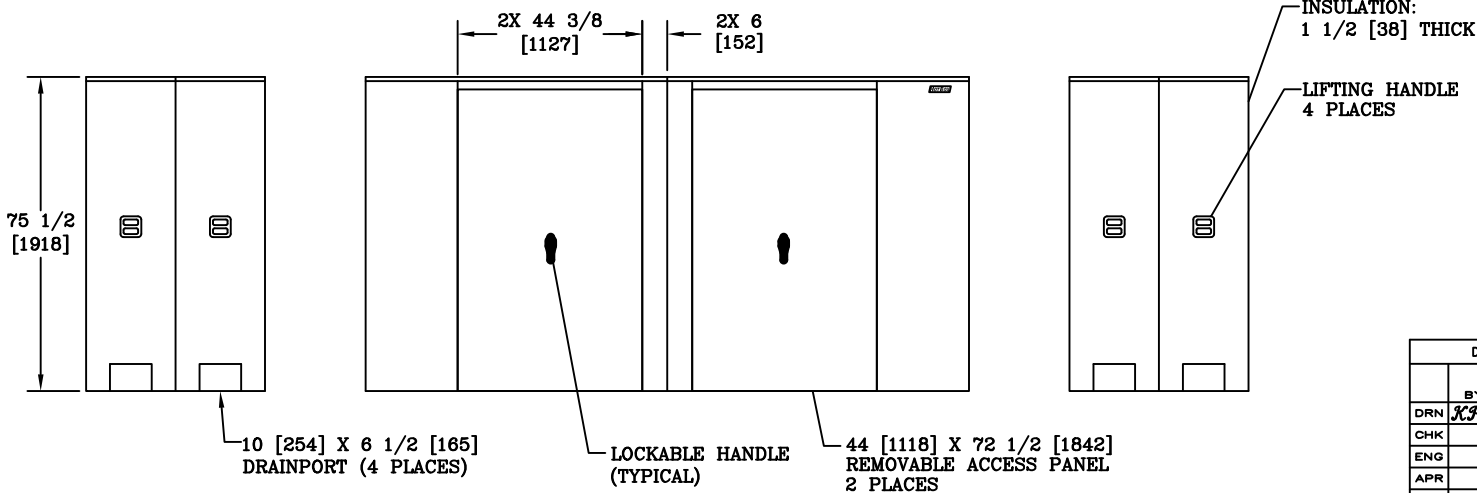


VIEW A-A



NOTES:

- HEAT IS PROVIDED BY (2) 1900WATT, 120V SINGLE PHASE HEATERS. FOR UNHEATED VERSION REPLACE THE PREFIX "H" WITH AN "L".
- INTERNAL DIMENSIONS: 40 [1016]W X 142 [3607]L X 74 [1880]H
- FOR RECOMMENDED SLAB SIZE ADD 9" [229] TO THE ENCLOSURE EXTERIOR.
- OLD P/N: HB8ES

DIMENSIONS ARE IN INCHES OR MILLIMETERS IN BRACKETS UNLESS OTHERWISE NOTED.				HUBBELL®		3621 INDUSTRIAL PARK DR LENOIR CITY, TN 37771 865-986-9726 www.quozite.com		LOC
BY	DATE	WEIGHT	610#					LC
DRN	KCP/6	9/15/09	277kg					S
CHK			SCALE	3/8"=1'				REV
ENG								A
APR			SIZE	B				9/09
APR								
PROJECT NUMBER				DRAWING DESCRIPTION		DRAWING NUMBER		
09876				(4 SECTION) ALUMINUM ENCLOSURE		HA040142074		
				SHEET 1 OF 1				