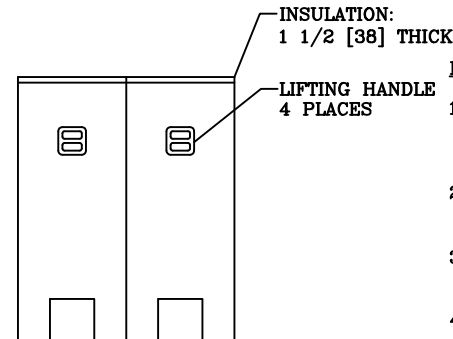
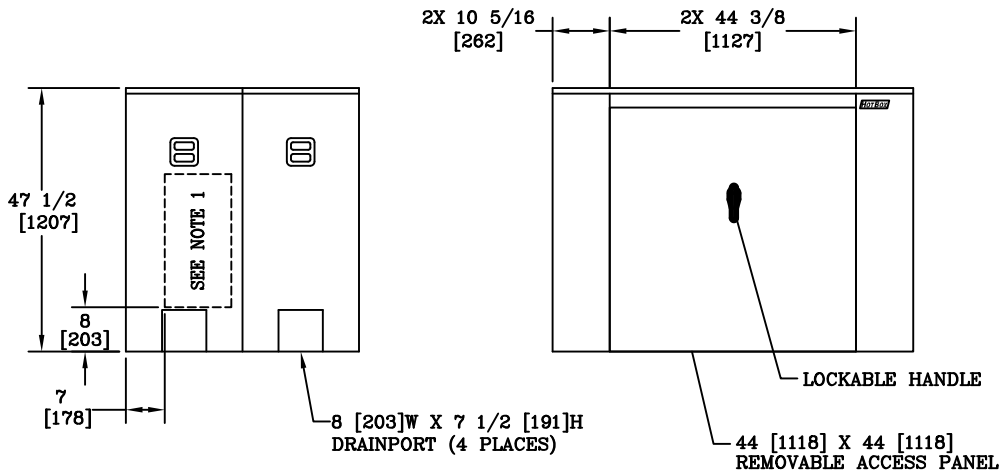


VIEW A-A



NOTES:

- HEAT IS PROVIDED BY A 1500WATT, 120V SINGLE PHASE HEATER. FOR UNHEATED VERSION REPLACE THE PREFIX "H" WITH AN "L".
- INTERNAL DIMENSIONS: 39 [991]W X 62 [1575]L X 46 [1168]H
- FOR RECOMMENDED SLAB SIZE ADD 9" [229] TO THE ENCLOSURE EXTERIOR.
- OLD P/N: HB6000AN

DIMENSIONS ARE IN INCHES OR MILLIMETERS IN BRACKETS UNLESS OTHERWISE NOTED.				HUBBELL		LOC
BY	DATE	WEIGHT	355#	3621 INDUSTRIAL PARK DR		LC
CHK	9/14/09	161kg		LENOIR CITY, TN 37771		S
ENG		SCALE	1/2"=1'	865-986-9726		REV
APR		SIZE	B	www.quozite.com		A
APR				DRAWING DESCRIPTION		9/09
PROJECT NUMBER				DRAWING DESCRIPTION		
09866				(2 SECTION) ALUMINUM ENCLOSURE		
SHEET 1 OF 1				DRAWING NUMBER		
				HA039062046		