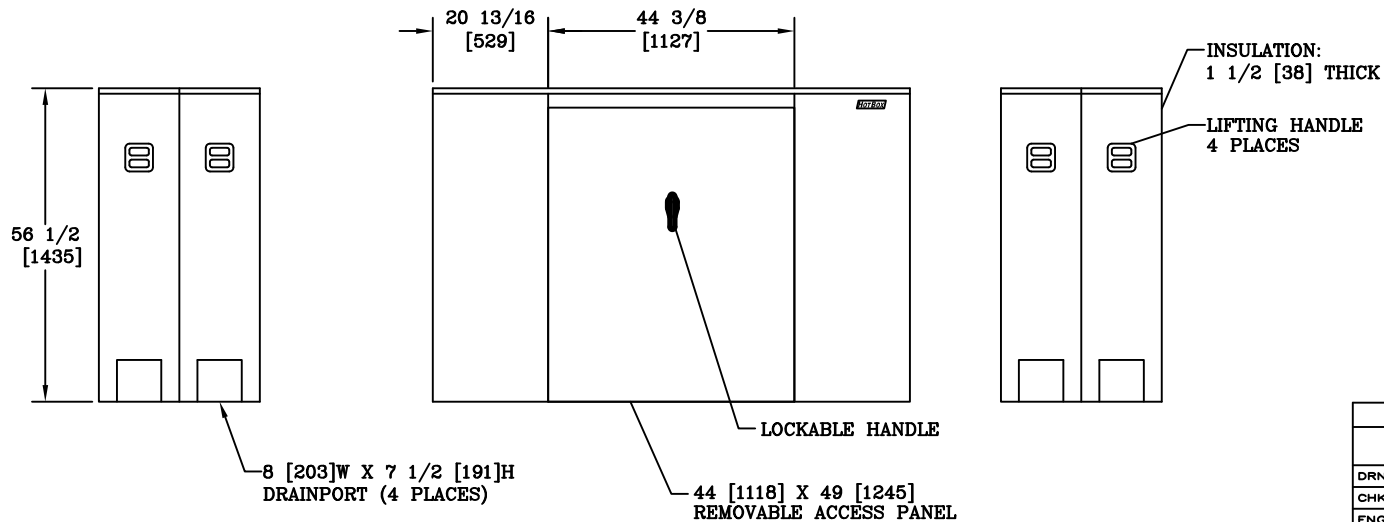


VIEW A-A



NOTES:

- HEAT IS PROVIDED BY A 1500WATT, 120V SINGLE PHASE HEATER. FOR UNHEATED VERSION REPLACE THE PREFIX "H" WITH AN "L".
- INTERNAL DIMENSIONS: 26 [660]W X 83 [2108]L X 55 [1397]H
- FOR RECOMMENDED SLAB SIZE ADD 9" [229] TO THE ENCLOSURE EXTERIOR.
- OLD P/N: HB3ES-AL

DIMENSIONS ARE IN INCHES OR MILLIMETERS IN BRACKETS UNLESS OTHERWISE NOTED.				HUBBELL		LOC
DRN	BY	DATE	WEIGHT	3621 INDUSTRIAL PARK DR		LC
CHK	KP	9/23/09	365#	LENOIR CITY, TN 37771		S
ENG			166kg	865-986-9726		REV
APR			SCALE	www.quozite.com		A
APR			1/2"=1'	DRAWING DESCRIPTION		9/09
PROJECT NUMBER			SIZE	(2 SECTION) ALUMINUM ENCLOSURE		
09939			B			
SHEET 1 OF 1				DRAWING NUMBER		
				HA026083055		