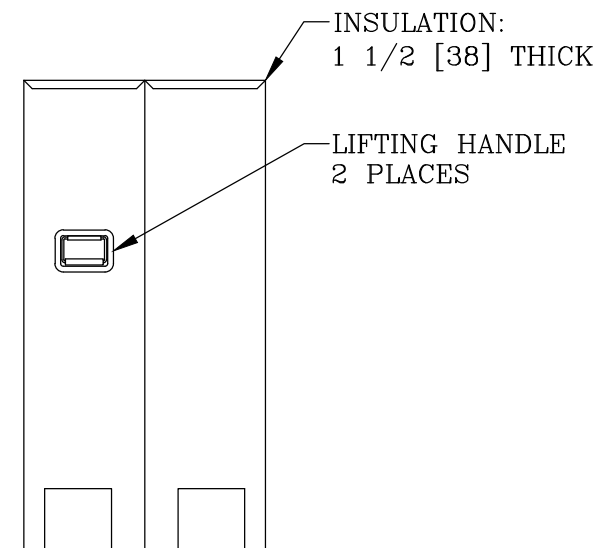
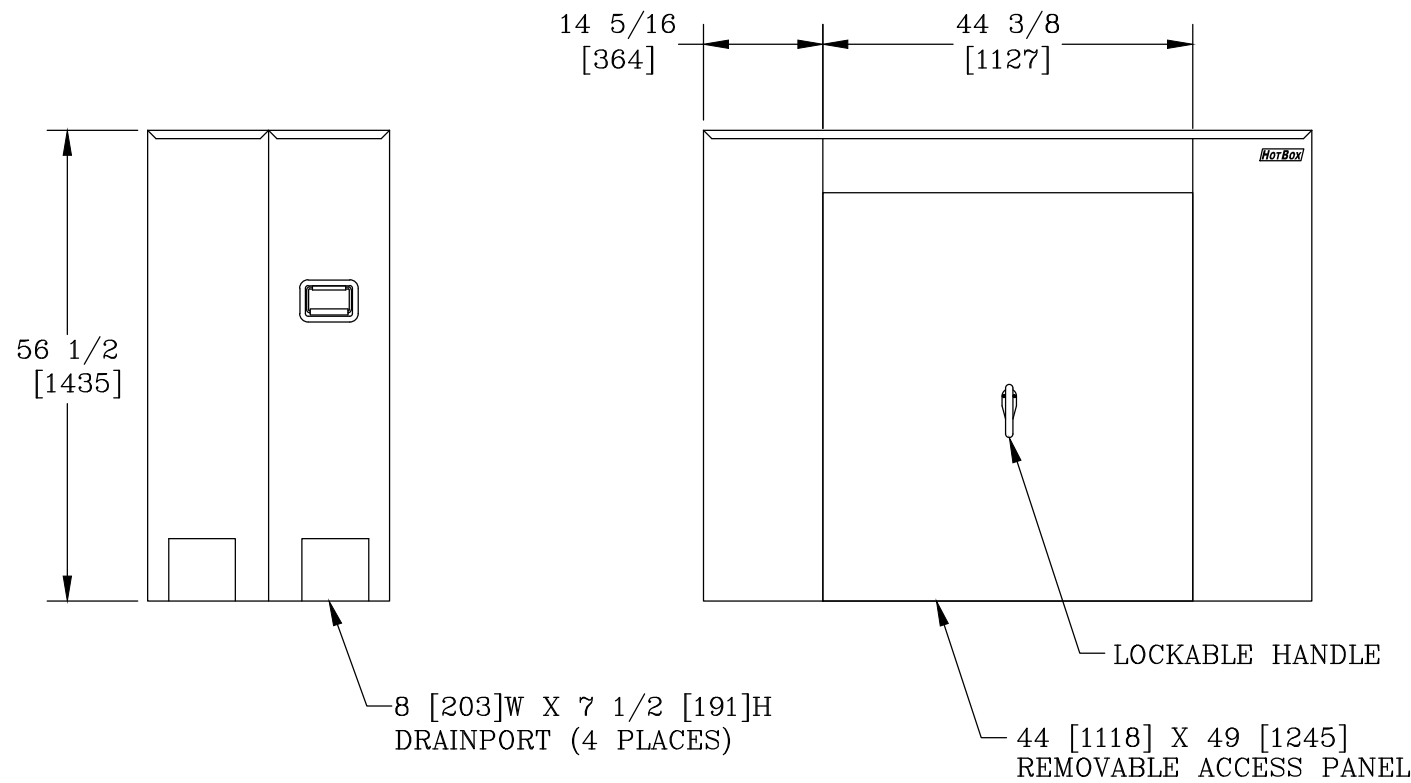



VIEW A-A



NOTES:

- HEAT IS PROVIDED BY A 1500WATT, 120V SINGLE PHASE HEATER. FOR UNHEATED VERSION REPLACE THE PREFIX "H" WITH AN "L".
- INTERNAL DIMENSIONS: 26 [660]W X 70 [1778]L X 55 [1397]H
- FOR RECOMMENDED SLAB SIZE ADD 9" [229] TO THE ENCLOSURE EXTERIOR.

DIMENSIONS ARE IN INCHES OR MILLIMETERS IN BRACKETS UNLESS OTHERWISE NOTED.

DRN	BY	DATE	WEIGHT	 3621 INDUSTRIAL PARK DR LENOIR CITY, TN 37771 800-346-3062 www.hot-box.com	LOC
CHK			341# 155kg		LC
ENG			SCALE	DRAWING DESCRIPTION HOT BOX® (2 SECTION) ALUMINUM ENCLOSURE HB3E-AL	REV
APR			1/2"=1'		A
APR			SIZE B		1/11
PROJECT NUMBER			DRAWING NUMBER		
11011			HA026070055		
SHEET 1 OF 1					