

ENCLOSURE MODEL: 200S-AL

Job:

Drawn By: KH

Scale:

Date: 07/16/19



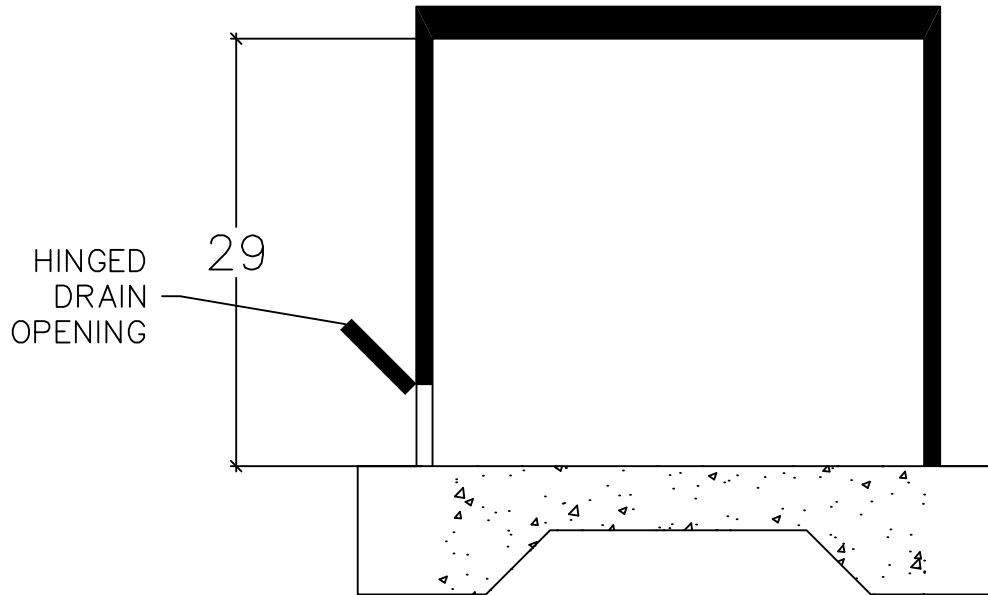
SAFE-T-COVER
BY HYDRO-COWL

ENCLOSURES DESIGNED FOR THE WORLD'S WATER SYSTEMS™

WEBSITE: SAFE-T-COVER.COM
EMAIL: SALES@SAFE-T-COVER.COM

PHONE: (800) 245-6333
FAX: (616) 269-4481

ELEVATION VIEW

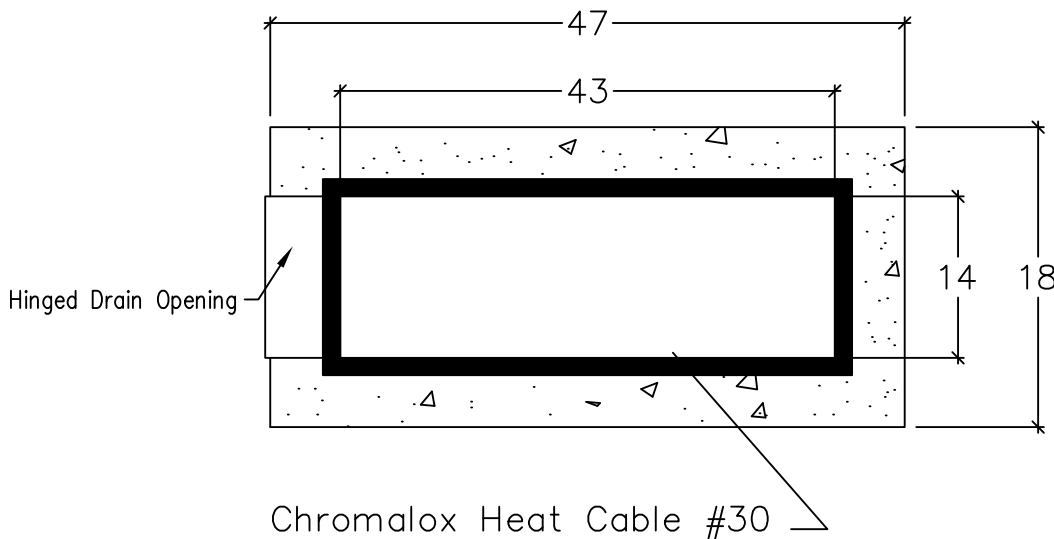


200S-AL

Sheet 1 of 1

1. Drawing NOT TO SCALE.
2. All dimensions are in inches.
3. Wall and insulation thickness is 1-1/2".
4. Roof and insulation thickness is 1-1/2".
5. Model 200S-AL Enclosure
6. Enclosure inside dimensions: 14"W X 43"L X 29"H
7. Concrete pad is 18"W x 47"L x 4"-6"H

PLAN VIEW



CONFIDENTIAL: This drawing is intended for use only by those authorized to receive it. Dissemination, distribution or copy of this information is strictly prohibited. US PATENT 5,609,784