

ENCLOSURE MODEL: 100S-AL

Job:



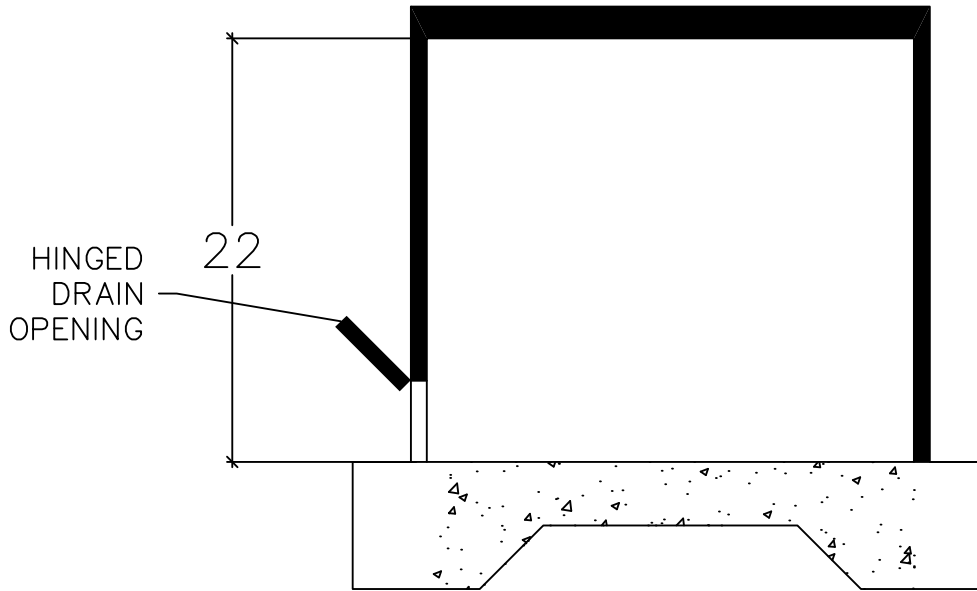
ENCLOSURES DESIGNED FOR THE WORLD'S WATER SYSTEMS™

WEBSITE: SAFE-T-COVER.COM  
EMAIL: SALES@SAFE-T-COVER.COM

PHONE: (800) 245-6333  
FAX: (616) 259-4481

Drawn By: KH Scale: None Date: 07/16/19

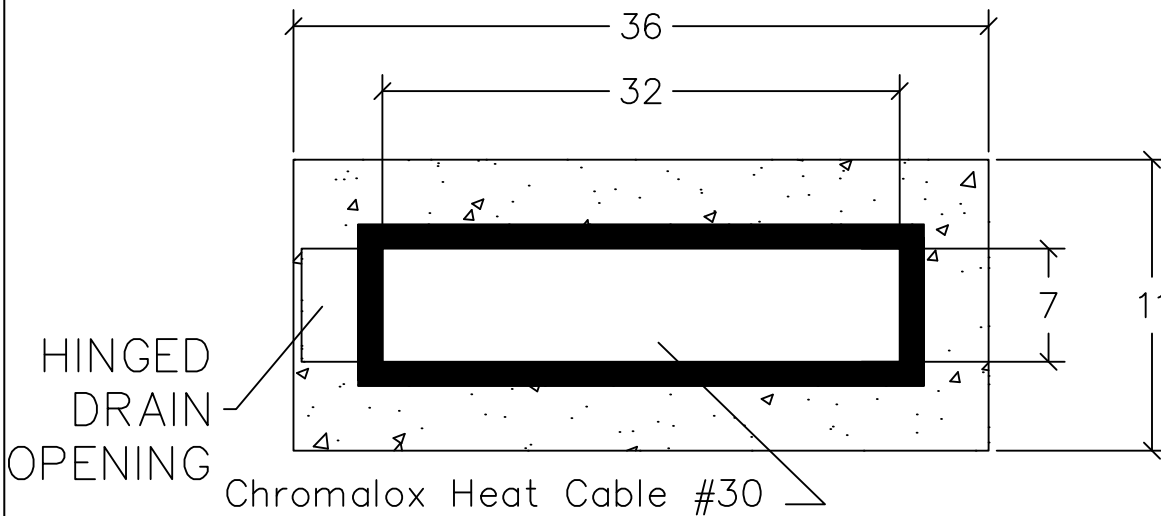
ELEVATION VIEW



100S-AL  
Sheet 1 of 1

- 5. Model 100S-AL Enclosure
- 6. Enclosure inside dimensions: 7"W X 32"L X 22"H
- 7. Concrete pad is 11"W x 36"L x 4"-6"H

PLAN VIEW



- 1. Drawing NOT TO SCALE.
- 2. All dimensions are in inches.
- 3. Wall and insulation thickness is 1-1/2".
- 4. Roof and insulation thickness is 1-1/2".

CONFIDENTIAL: This drawing is intended for use only by those authorized to receive it. Dissemination, distribution or copy of this information is strictly prohibited. US PATENT 5,609,784