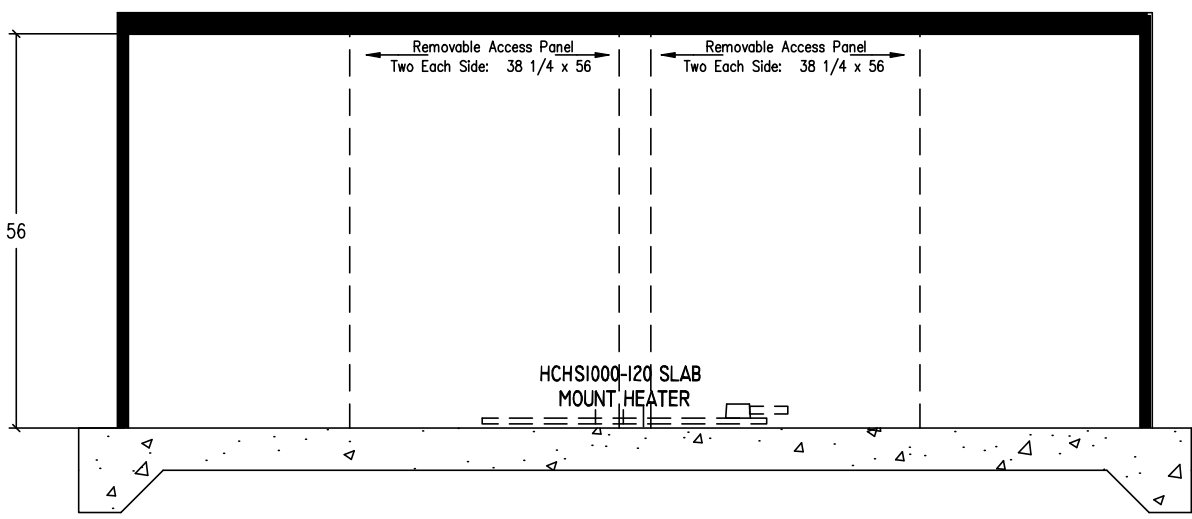
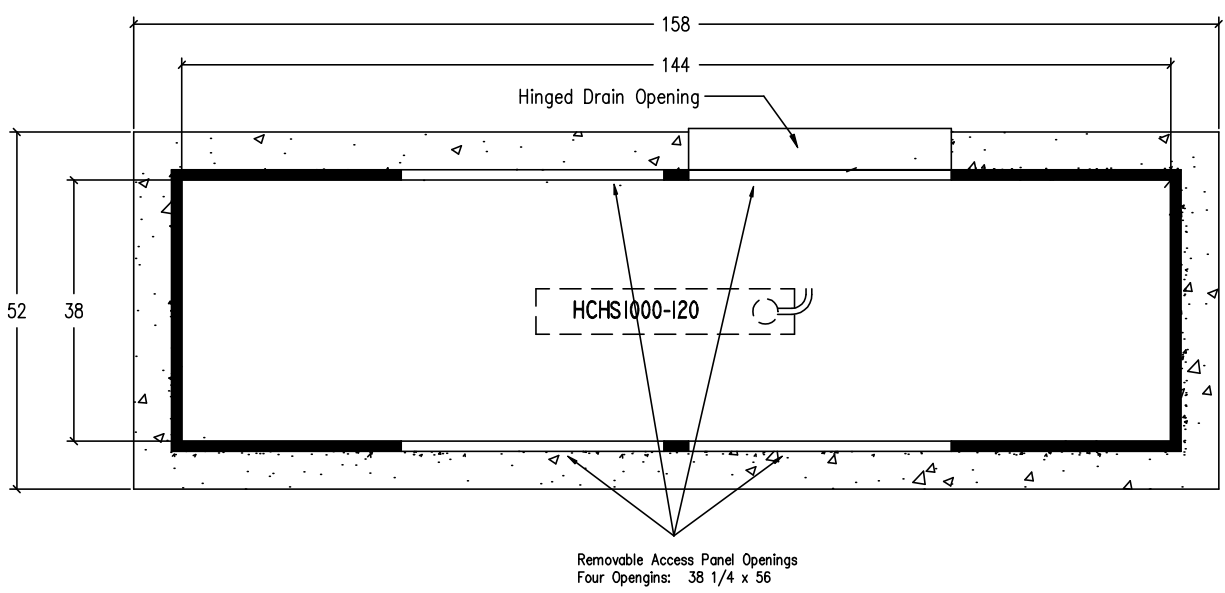


ELEVATION VIEW



PLAN VIEW



FN: 800S

Sheet 1 of 1

6. HYDROCOWL MODEL 800S-AL ENCLOSURE.

7. Enclosure inside dimensions:
38"W x 144"L x 56"H

8. Concrete pad is 52"W x 158"L

9. BFP -

1. Drawing NOT TO SCALE.

2. BFP dimensions furnished by

3. All dimensions are in inches.

4. Wall and insulation thickness is 1-1/2".

5. Roof and insulation thickness is 3".