

JOB:

ENCLOSURES DESIGNED FOR THE WORLD'S WATER SYSTEMS™

DRAWN BY: GP

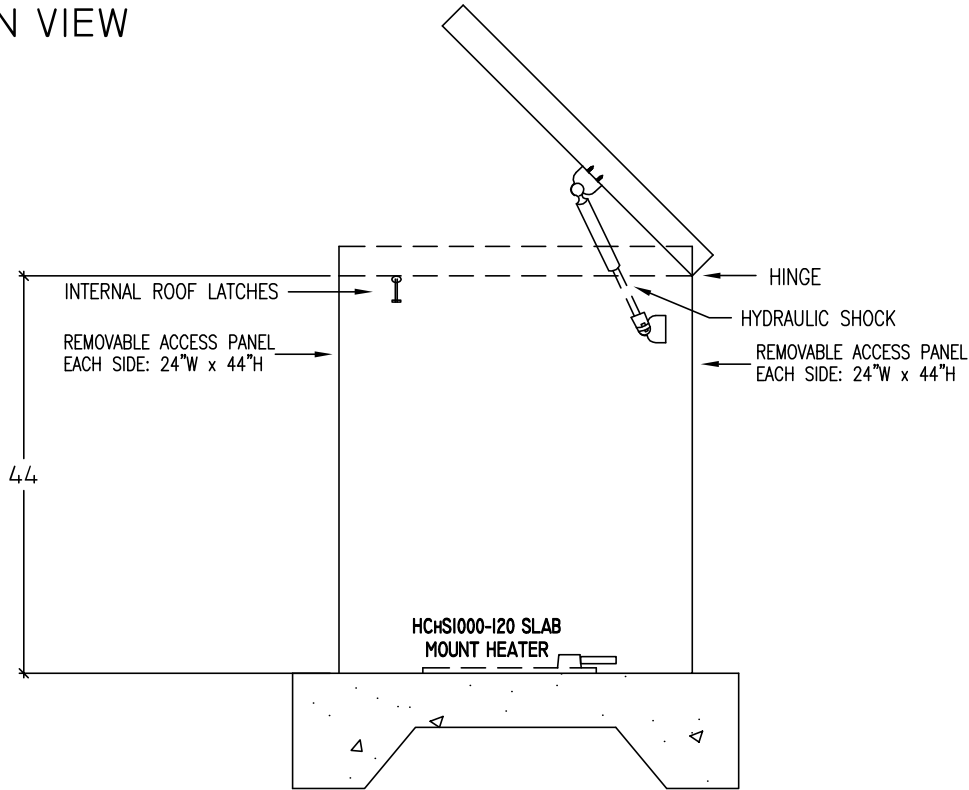
SCALE: NONE

DATE: 12-15-2020

WEBSITE: SAFE-T-COVER.COM
EMAIL: SALES@SAFE-T-COVER.COM

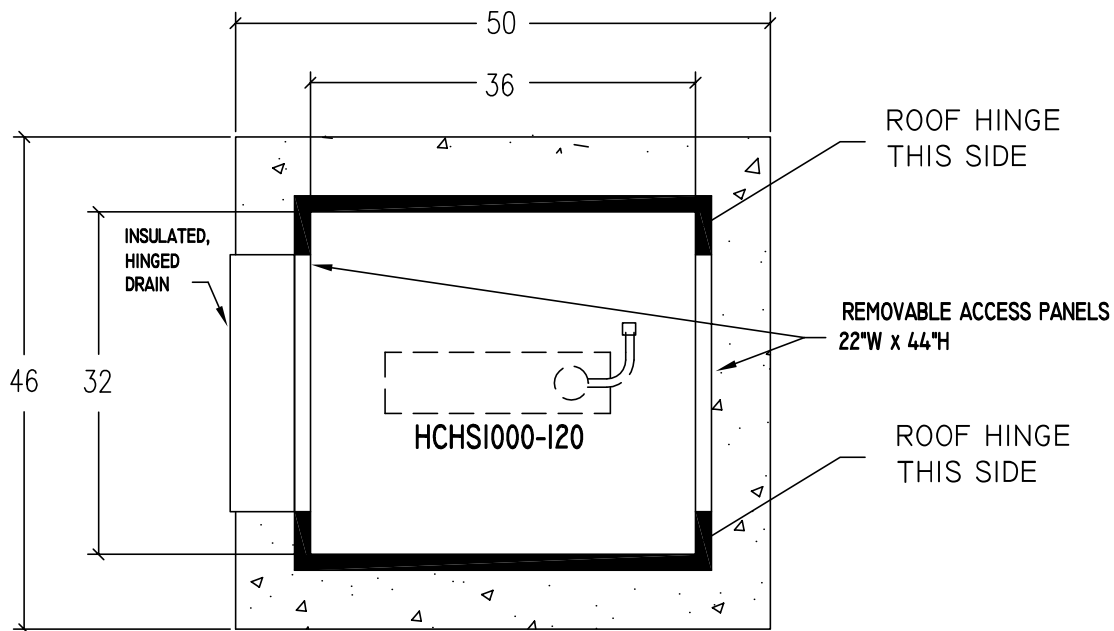
PHONE: (800) 245-6333
FAX: (615) 259-4481

ELEVATION VIEW



400LU880-AL
SHEET 1 OF 1

PLAN VIEW



- 5. MODEL 400LU880-AL ENCLOSURE
- 6. ENCLOSURE INSIDE DIMENSIONS:
32"W X 36"L X 44"H
- 7. CONCRETE PAD IS 46"W X 50"L X 6"H

- 1. DRAWING NOT TO SCALE.
- 2. ALL DIMENSIONS ARE IN INCHES.
- 3. WALL AND INSULATION THICKNESS IS 1-1/2".
- 4. ROOF AND INSULATION THICKNESS IS 3".

CONFIDENTIAL: THIS DRAWING IS INTENDED FOR USE ONLY BY THOSE AUTHORIZED TO RECEIVE IT.
DISSEMINATION, DISTRIBUTION OR COPY OF THIS INFORMATION IS STRICTLY PROHIBITED. US PATENT 5,609,784